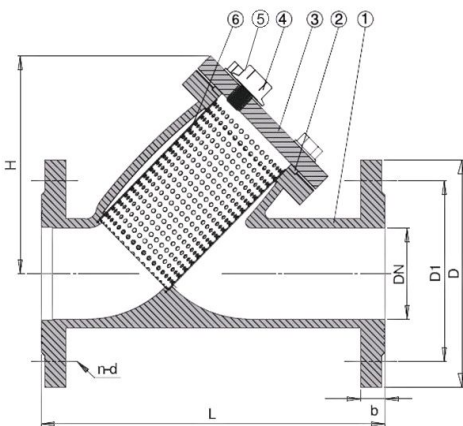




Application	
Face to face	DIN 3202-F1
Flange End Dimensions	DIN2531-PN6/DIN2533-PN18
Working Pressure	PN6/PN10/PN16
Shell Pressure	PN9/PN15/PN24
Seat Pressure	PN7.6/PN11/PN17.6

Main Parts and Materials		
Item	Part Name	Material
1	Body	GG25/GGG50
2	Cover Gasket	Graphite With Soft Steel
		EPDM/NBR
3	Cover	GG25/GGG50
4	Plug	Zinc Steel BSPT
5	Bolt&nut	Galvanized flat head bolt
		Galvanized stud bolt
		Stainless Steel
6	Screen	SS Wire Screen
		SS Perforated Mesh



Main Dimensions						
Nominal diameter		L	D1	D	H	n-d
in	mm					
1/2"	15	130	65	95	75	4-Φ14
3/4"	20	150	75	105	75	4-Φ14
1"	25	160	85	115	90	4-Φ14
1 1/4"	32	180	100	140	90	4-Φ18
1 1/2"	40	200	110	150	110	4-Φ18
2"	50	230	125	165	120	4-Φ18
2 1/2"	65	290	145	185	140	4-Φ18
3"	80	310	160	200	170	8-Φ18
4"	100	350	180	220	220	8-Φ18
5"	120	400	210	250	260	8-Φ18
6"	150	480	240	285	300	8-Φ22
8"	200	600	295	340	360	12-Φ22
10"	250	730	355	405	440	12-Φ26
12"	300	850	410	460	525	12-Φ26