



LED Flood Light

SPECIFICATION - FL07 - 100W

meng@hltg.net | [Skype: meng;y2](https://www.skype.com/user/meng;y2) | [Wechat: iledhl](https://www.wechat.com/user/iledhl) | www.hltg.net

Key Feature



HL-FL07-100W

Main Selling Points

- CREE XTE SMD3535
- Aluminum heat sink design, perfectly solve the heat dissipating problem and extend the led source's lifetime
- 5° / 10° / 20° / 30° / 60° degree beam angle



Details Specification



Electrical Specifications:

LED Power: 100W
 Operating Voltage: AC85-265V
 Operating Temp.: -20-50°C
 Operating Humidity: 10% to 90%
 Power Supply: HLG-100H*1pc
 Mean Well Power Factor (PF): 0.98
 Power Supply Efficiency: >95%



Photometric Specifications:

LED Source: CREE XTE SMD3535 30pcs
 LED Luminous Flux: CW 12000m
 WW 11500lm
 LED Liminous Efficiency: 120lm/W
 CRI: >80
 CCT: CW 6000-6500K
 WW 2750-3000K



Mechanical Specifications:

IP Rating: IP65
 Guarrantee: 5 years warranty
 Heat Radiator: Die casting Aluminum design
 Face: 5° / 10° / 20° / 30° / 60° beam angle
 Fixture Dimension: 347*245*316mm
 Fixture Weight: KG



Packing Specifications:

PCS/CTN: 1PC/CTN
 Carton Size: 38x38x38CM
 Gross Weight: KG
 Size Weight: KG
 CBM: 0.05

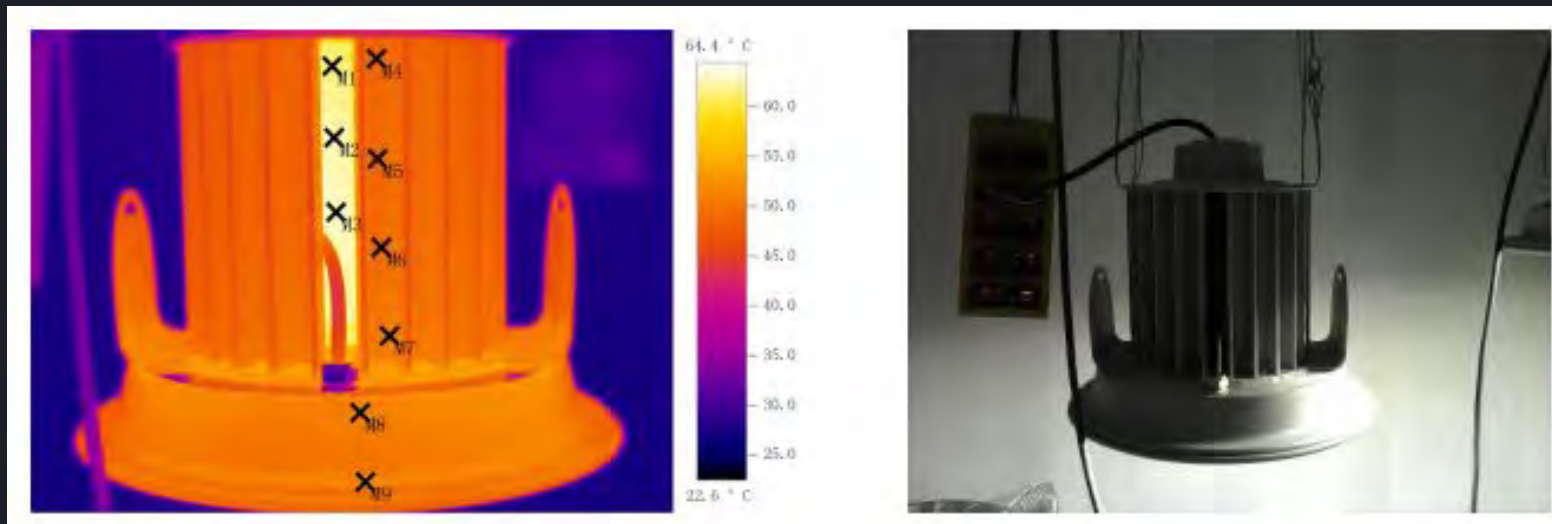
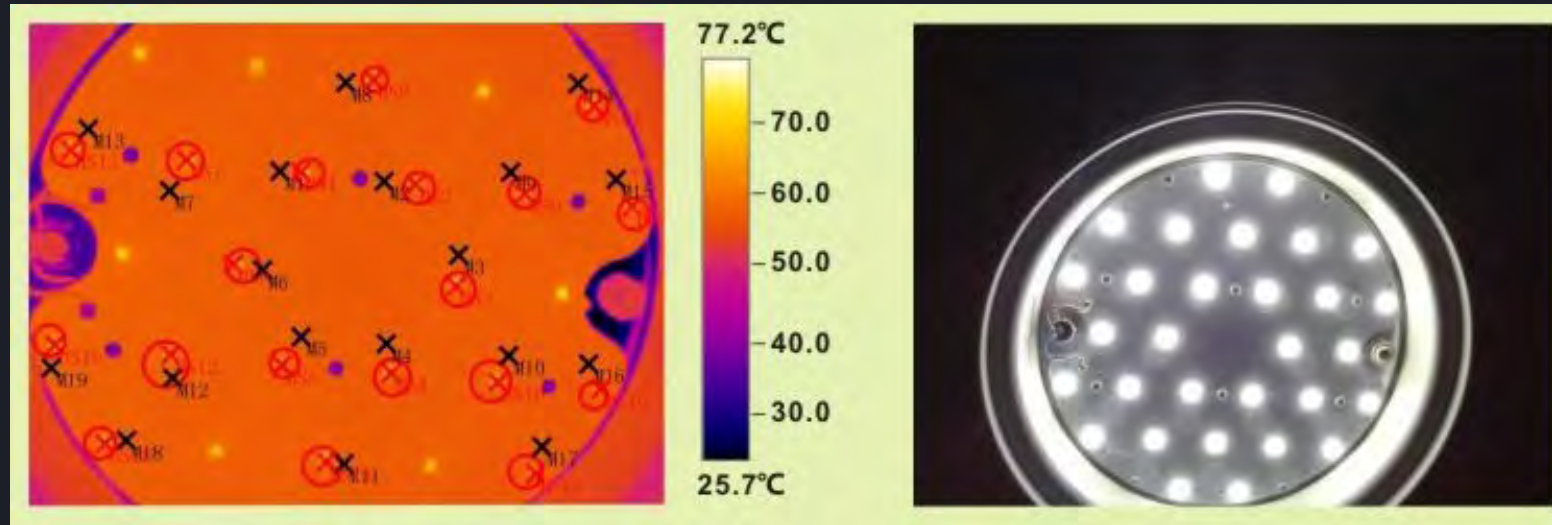
100W

FL07-100W



Thermal Testing Report

29° Testing Environment Temp.

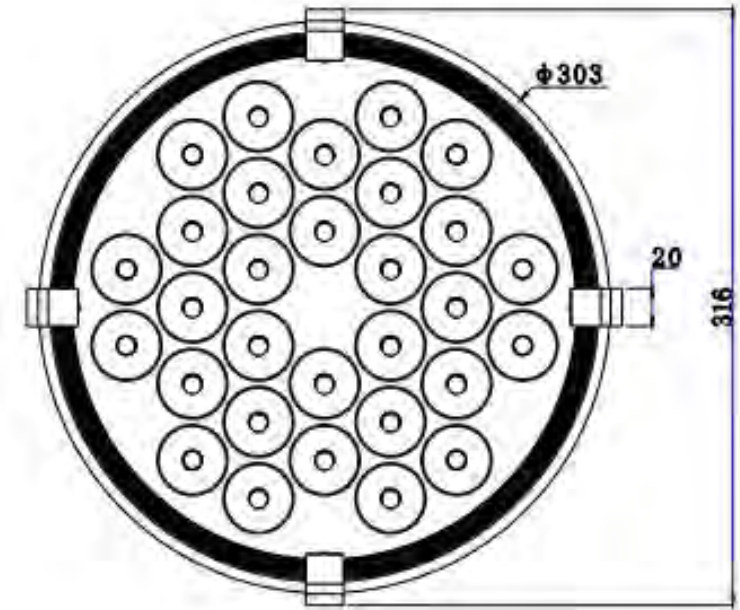
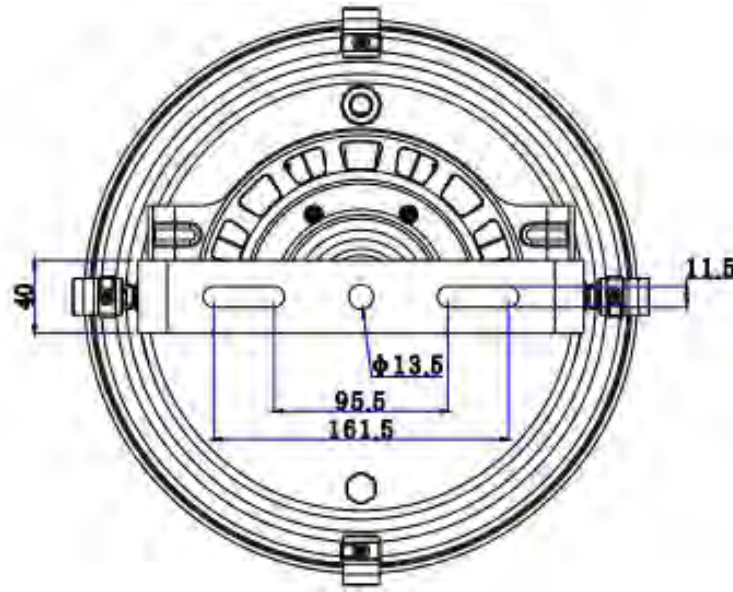


Product Details

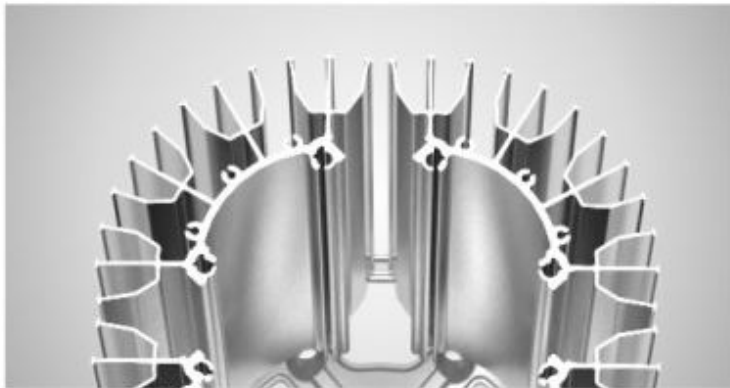


Dimension

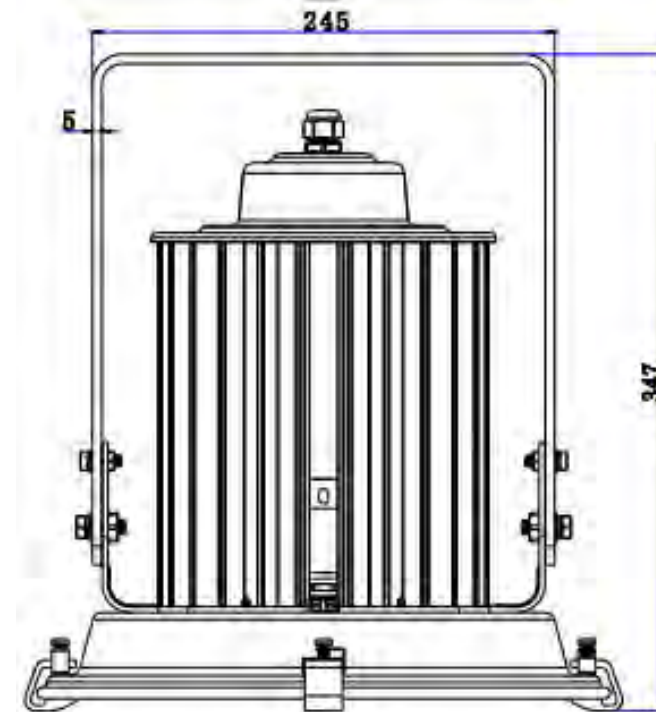
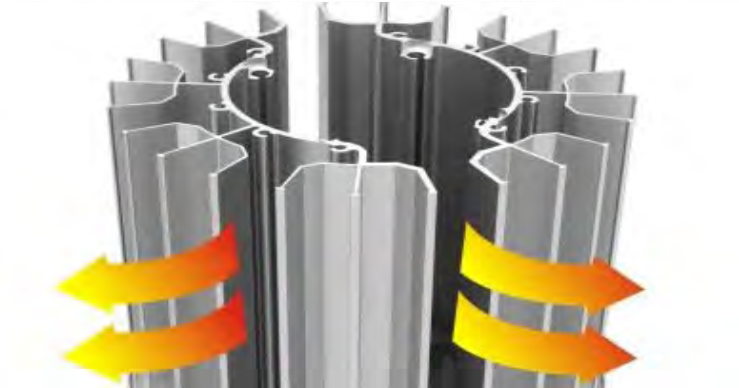
347x245x316mm
+/-10%



Module Aluminum Heatsink



Three-dimensional



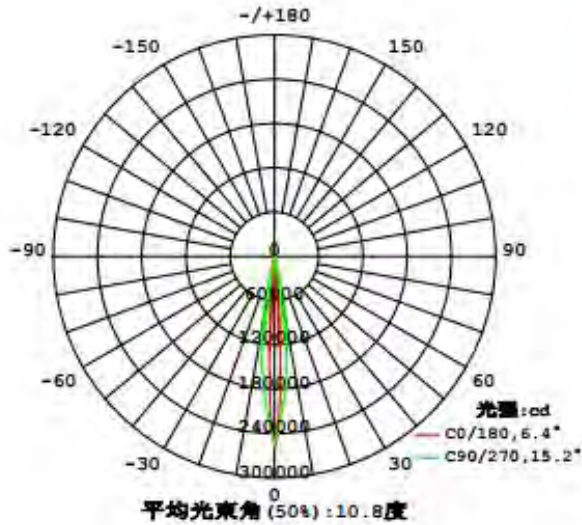
Testing Report

5° Beam Angle

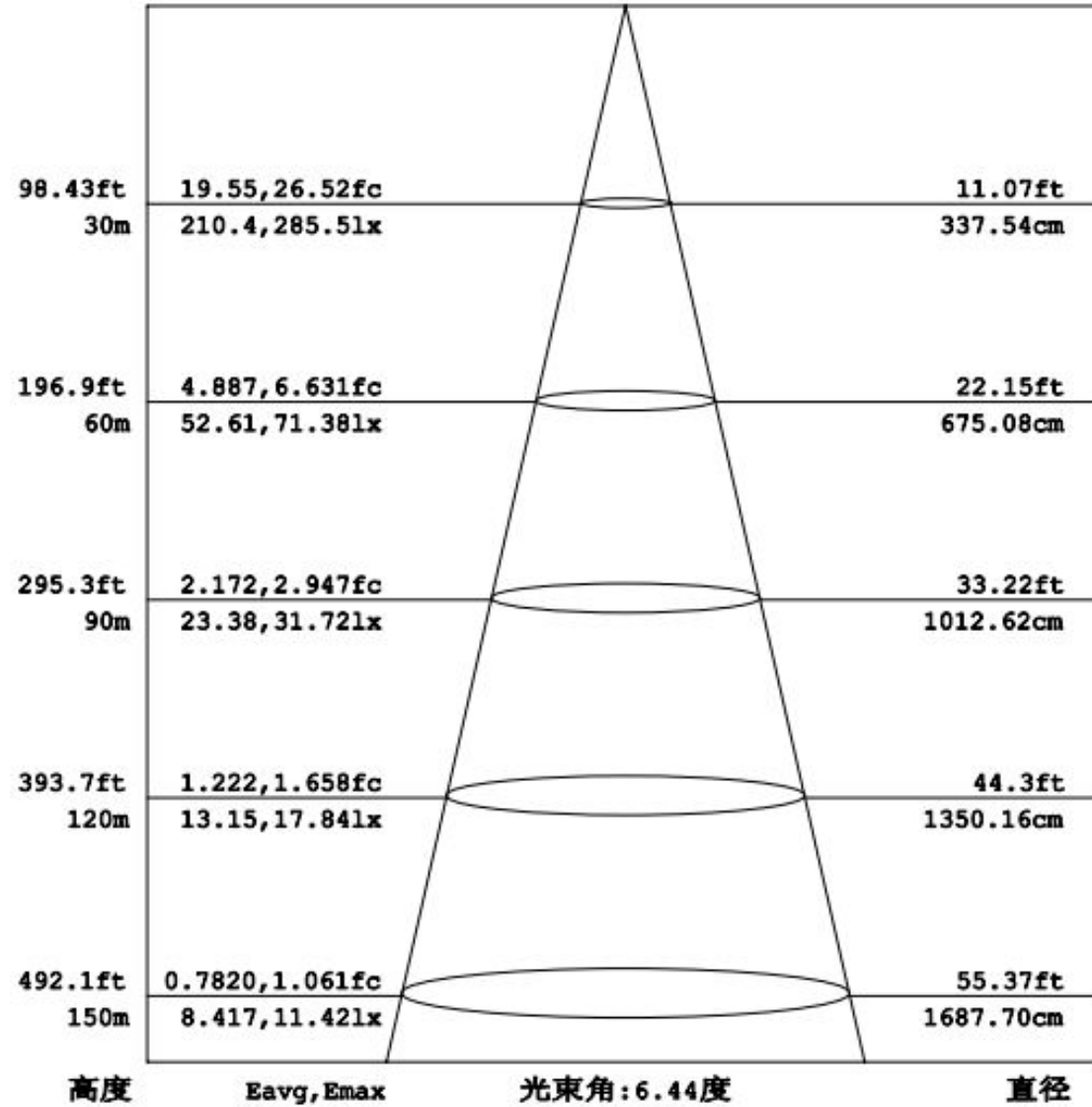
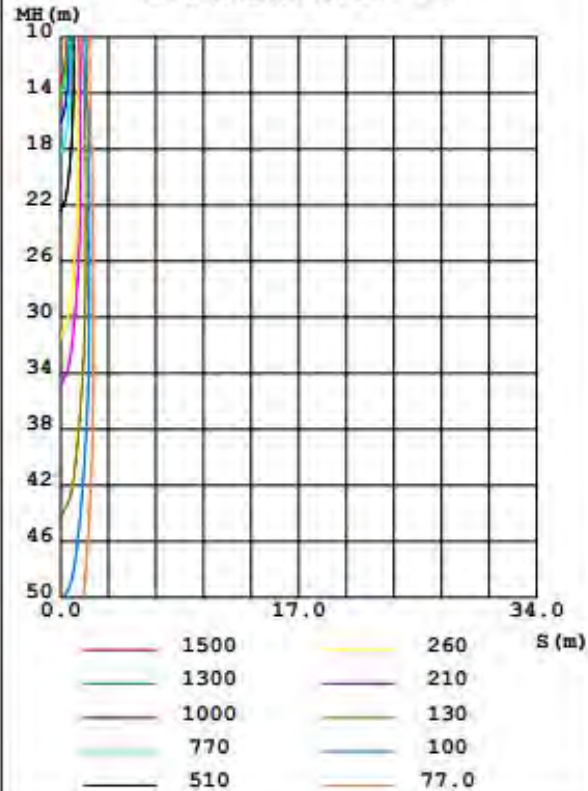
WWW.HLTG.NET

光源数据		光度数据			
型号	CREE XTE 3P10S 6000K	峰值光强 (cd)	256951	S/MH (C0/180)	0.12
标称功率 (W)	100	灯具效率 (%)	100.0	S/MH (C90/270)	0.26
额定电源电压 (V)	220	总光通量 (lm)	11684	η UP, DN (C0-180)	0.0, 49.4
额定光通量 (lm)	11683.6	CIE分类	直接	η UP, DN (C180-360)	0.0, 50.6
灯具内光源数 (只)	1	上射光通比 (%)	0.0	CIBSE SHR NOM	0.00
实测电源电压 (V)	219.9	下射光通比 (%)	100.0	CIBSE SHR MAX	1.00

室内灯具配光曲线



空间等照度曲线 (单位: lx)



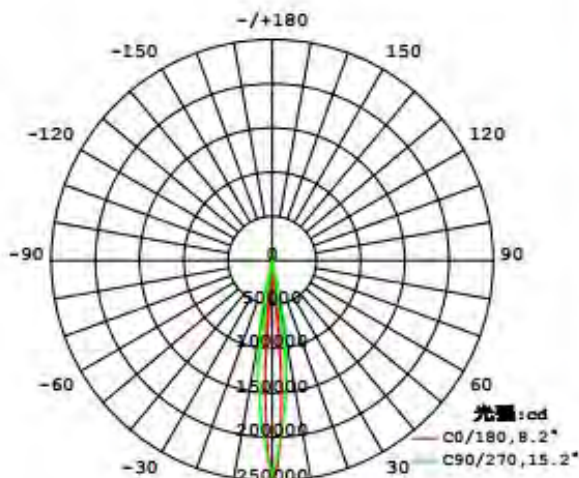
Testing Report

10° Beam Angle

WWW.HLTG.NET

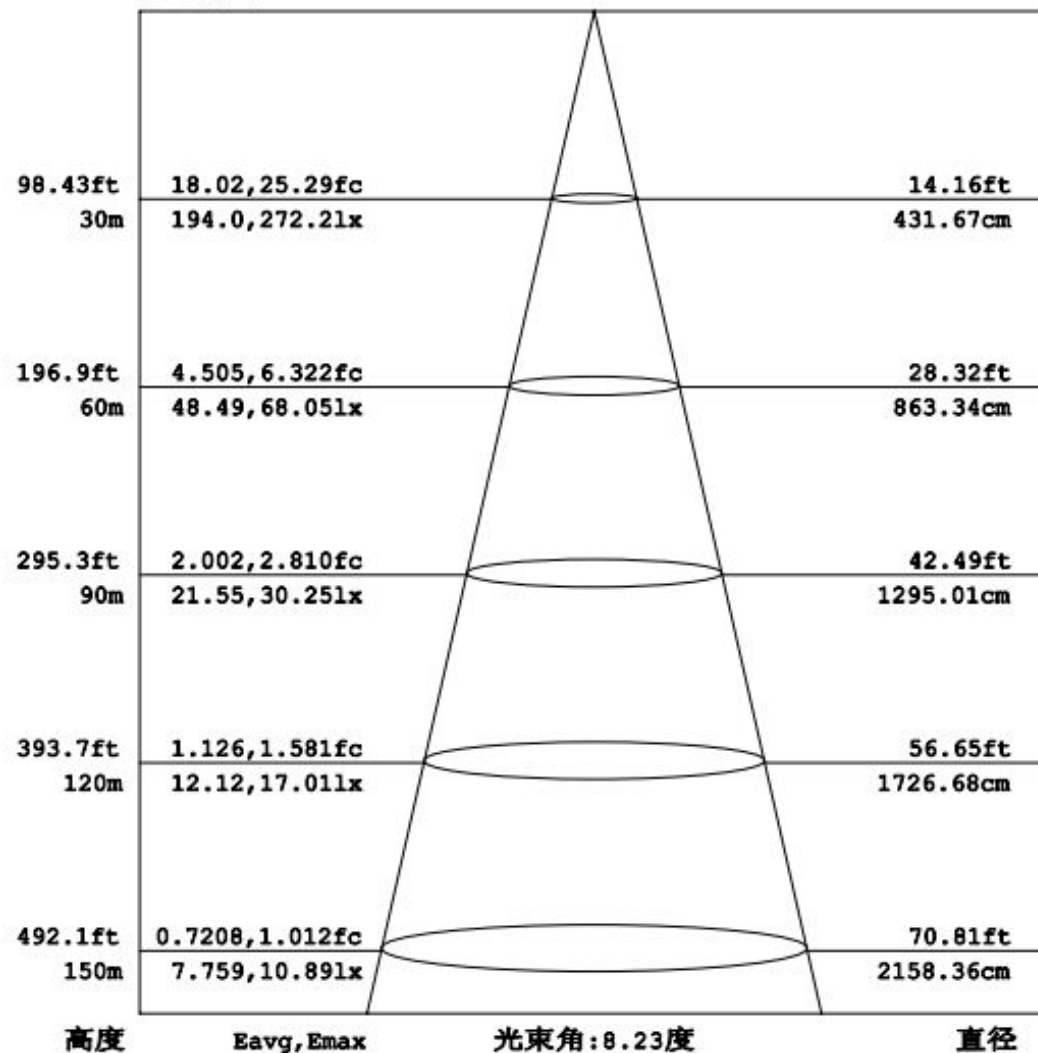
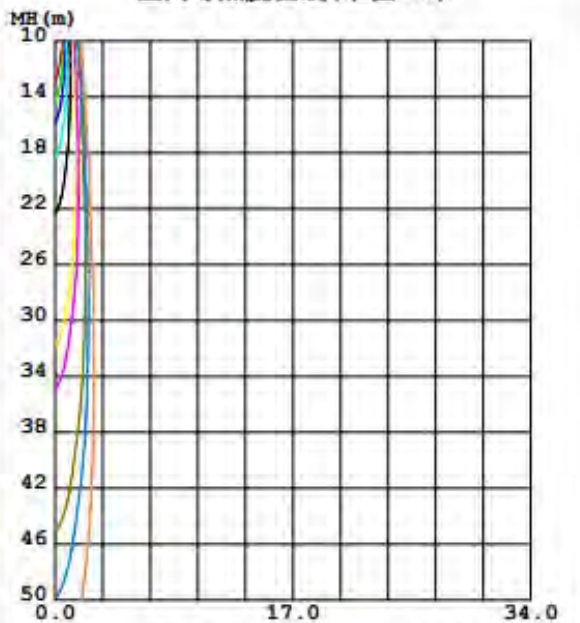
光源数据		光度数据			
		光效: 120.17 lm/W			
型号	CREE XTE R5 3P10S 6000K	峰值光强 (cd)	245025	S/MH (C0/180)	0.15
标称功率 (W)	100	灯具效率 (%)	100.0	S/MH (C90/270)	0.26
额定电源电压 (V)	220	总光通量 (lm)	12209	η UP, DN (C0-180)	0.0, 49.8
额定光通量 (lm)	12208.8	CIE分类	直接	η UP, DN (C180-360)	0.0, 50.2
灯具内光源数 (只)	1	上射光通比 (%)	0.0	CIBSE SHR NOM	0.00
实测电源电压 (V)	219.9	下射光通比 (%)	100.0	CIBSE SHR MAX	1.00

室内灯具配光曲线



平均光束角 (50%) : 11.7度

空间等照度曲线 (单位: lx)



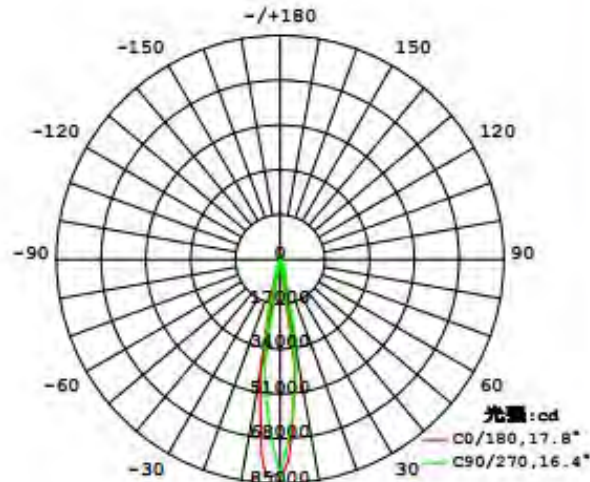
Testing Report

20° Beam Angle

WWW.HLTG.NET

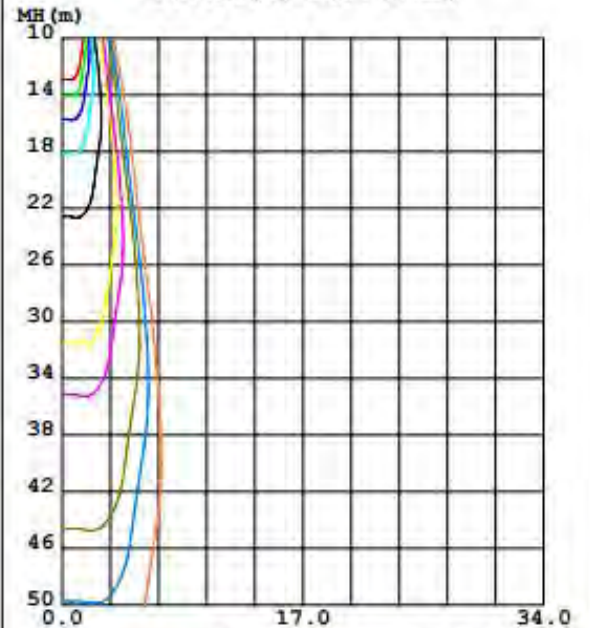
光源数据		光度数据			
型号	CREE KTE R5 3P10S 6000K	峰值光强 (cd)	82337	S/MH (C0/180)	0.25
标称功率 (W)	100	灯具效率 (%)	100.0	S/MH (C90/270)	0.28
额定电源电压 (V)	220	总光通量 (lm)	8680.2	η UP, DN (C0-180)	0.0, 50.1
额定光通量 (lm)	8680.2	CIE分类	直接	η UP, DN (C180-360)	0.0, 49.9
灯具内光源数 (只)	1	上射光通比 (%)	0.0	CIBSE SHR NOM	0.00
实测电源电压 (V)	220.1	下射光通比 (%)	100.0	CIBSE SHR MAX	1.00

室内灯具配光曲线

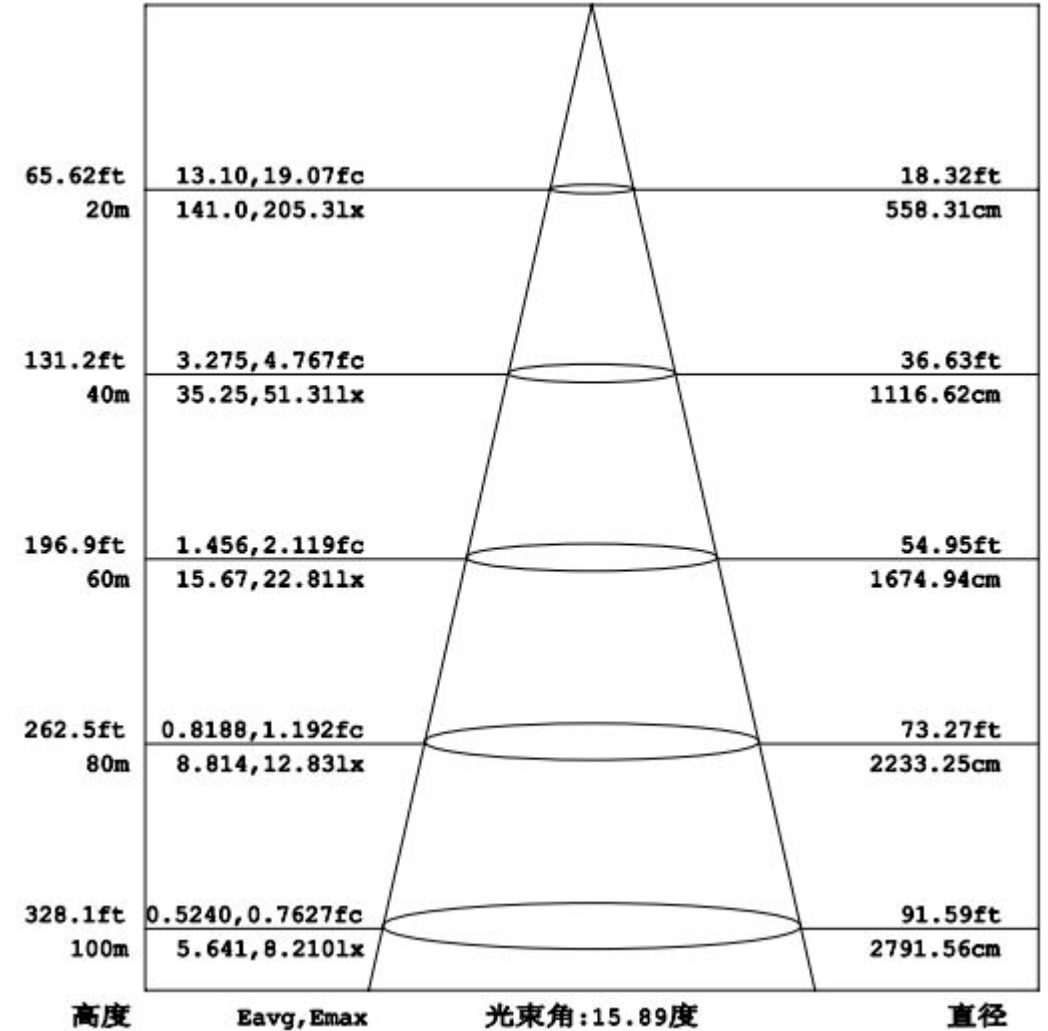


平均光束角 (50%): 17.1度

空间等照度曲线 (单位: lx)



- 490
- 410
- 330
- 250
- 160
- 82.0
- 66.0
- 41.0
- 33.0
- 25.0



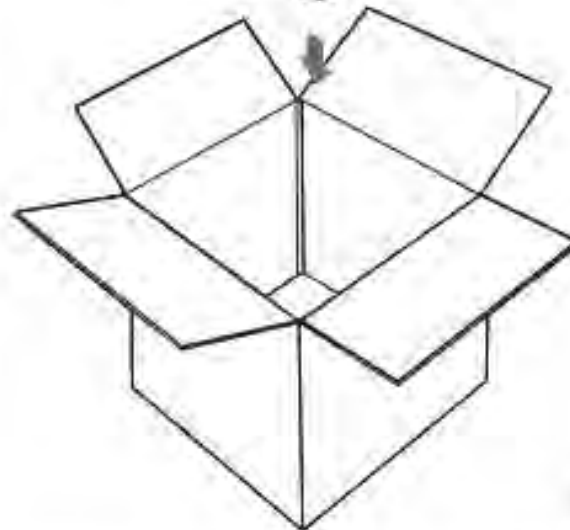
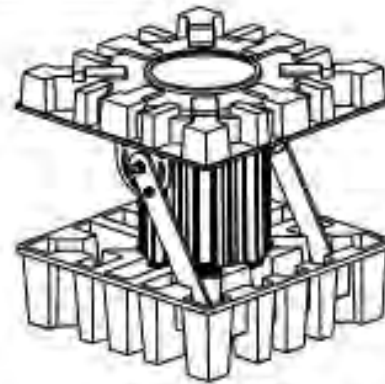
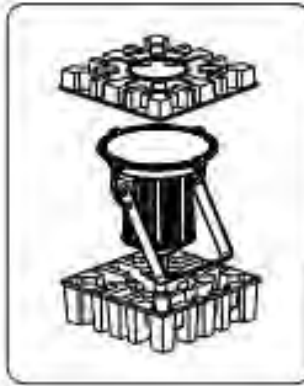
Packing Information

PCS/CTN: 1PC/CTN

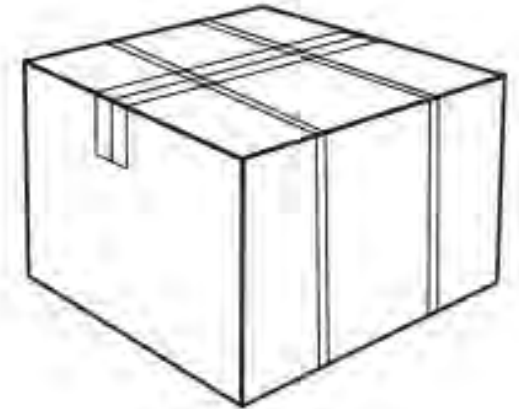
Carton Size: 38x38x38cm

Size Weight: 10.97KG

Carton Material: A=A



1



2



Over
200 Clients

Who Loves US

We exported Hualing series led lighting to all world , 90% sold in EU market .

And now over 600clients used our products and sold in more than 20 countries .

Application

WWW.HLTG.NET



www.hltg.net



Real shot



meng@hltg.net

HUA LING TECHNOLOGY GROUP CO., LTD



FACTORY 1 : Floor 5 , Building C4 , Mei Hua mei industry park ,
Shenzhen of China

FACTORY 2 : Floor 4 , Building B , Teng hong xin technical park ,
Shenzhen of China

AFTER SERVICE CENTER : Ferdinand-Porsche-Straße 2
(Gebäude E) Offen.bach am Main, Germany


FINANCIAL CENTER : Chase Business Centre , London ,England

WWW.HLTG.NET

Thank You!

MENG@HLTG.NET | SKYPE MENG.Y2 | WWW.HLTG.NET



 We chat : iledhl



86-755-82599115

86-755-36871807