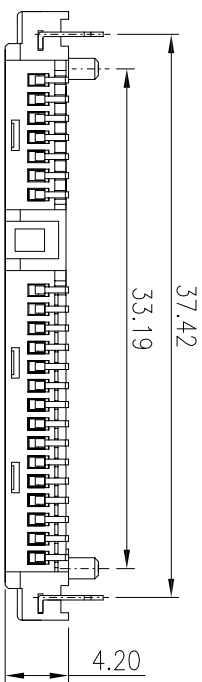
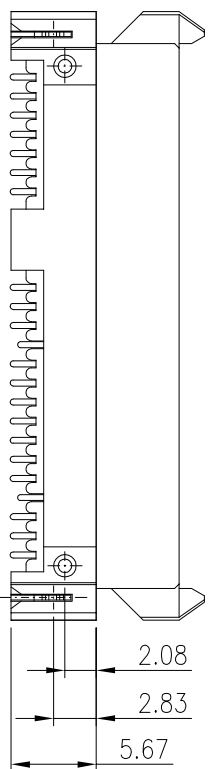
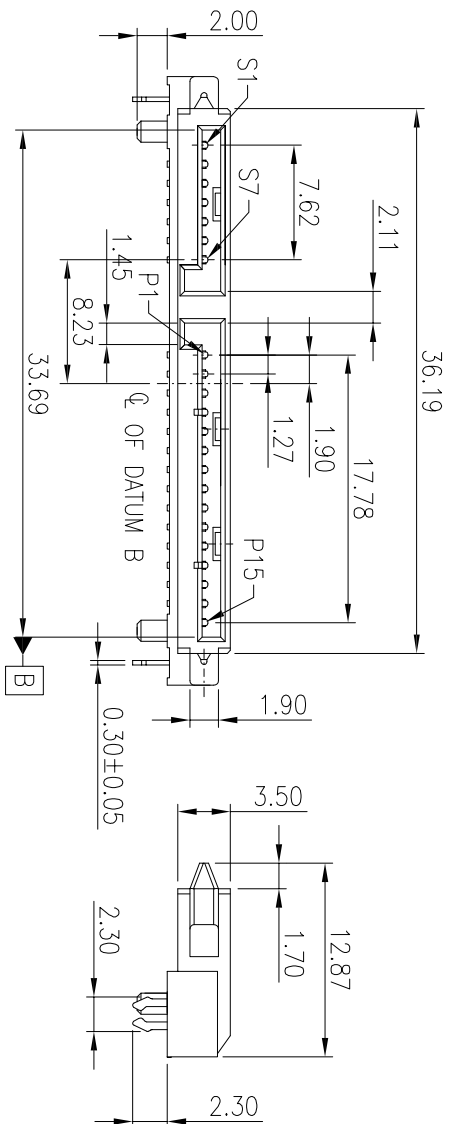
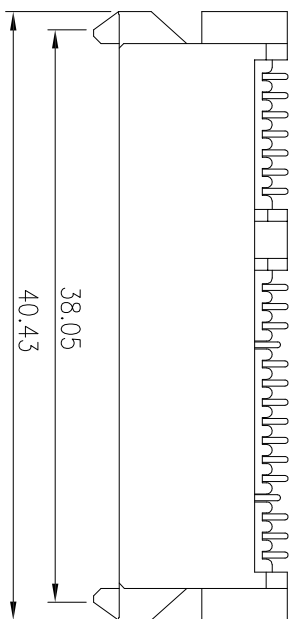
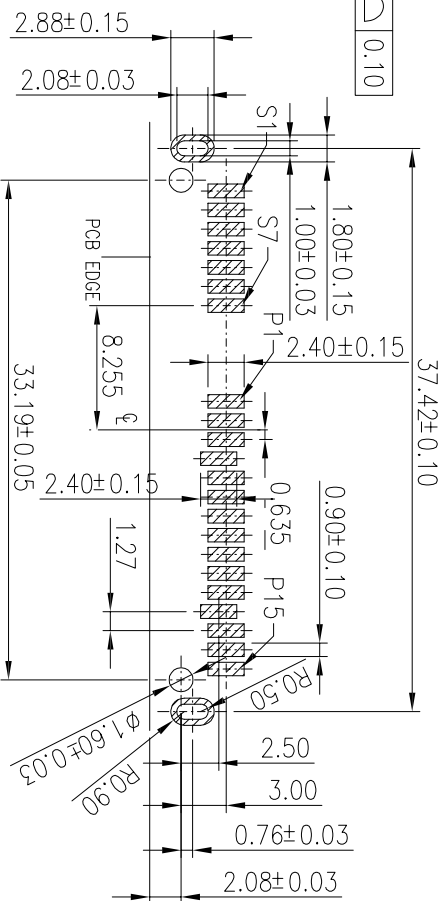


ROHS COMPLIANT



- NOTES:
- 1.HOUSING MATERIAL: LCP+30%G.F UL 94V-0 BLACK.
 - 2.TERMINAL MATERIAL: PHOSPHOR BRONZE, GOLD FLASH OR TIN PLATED ON CONTACT AREA. TIN PLATED ON SOLDER AREA. NICKEL UNDERPLATING OVER ALL.
 - 3.BOARD LOCK: BRASS,TIN PLATED ON SOLDER TALLS. NICKLE UNDERPLATING OVER ALL.
 - 4.PART NO: MTP81 - 922 X 00 - 03157

G-GOLD FLASH
S-TIN PLATED



RECOMMENDED PCB LAYOUT

M&T

MTCONN ELECTRONICS CO.,LTD

DIM	TOL	DEC	TOL	DRWN:	PART NO.:
X.	±0.50	X.°	±2°	SAM 2018-05-14	MTP81-922x00-03157
X.X	±0.35	X.X°	±2°	CHKD: ALAN 2018-05-14	TITLE: SATA 7+15P H4.2 SMT
X.XX	±0.25	X.XX°	±--	APPD: WILLIAM 2018-05-14	DRAWING NO.:
X.XXX	±0.10	X.XXX°	±--	SHEET: 1/1	UNIT mm SCALE N/A SIZE A4 REV B