

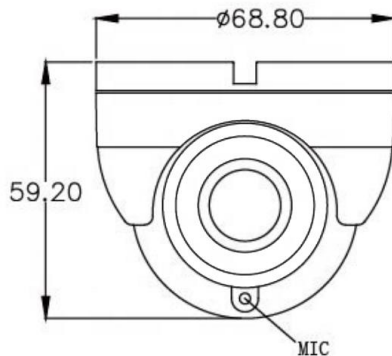
Car Camera CAR-F4M-402



Features:

- Metal IR Car Camera;
- Starlight Night Vision;
- Built-in 2 Megapixel 2.8mm Fixed Lens;
- Support OSD Cable,UTC Coaxial Control;
- UTC Coaxial Control up to 500 Meters;
- Application:Indoor&Outdoor Both;
- Wall Mounting Bracket Optional;
- Wide dynamic, frame accumulation;
- Integrated MIC amplifier circuit, support MIC input and audio output (customized);
- Multi Languages For Menu;
- Support Dynamic Noise Reduction;
- Outdoor IP66 Weatherproof Standard;
- Power input:DC 12V;

Construction:



Parameters:

Model No.	CAR-F4M-402
System	PAL/NTSC
Processor Size	1/2.9 inch CMOS Sensor
DSP+Sensor	FH8536H+GC2053
Resolution	1080P@25fps / 1080P@30fps
Illumination	0.01 LUX / F1.2
DNR	2D-DNR/3D-DNR
Pixels	1920 (H) ×1080 (V)
LENS	Built-in Megapixel 2.8mm Fixed Lens
IR LED	Built-in 5:12pcs IR LED
IR Distance	10 Meters
OSD	Support OSD Cable,UTC Coaxial Control
UTC	UTC Coaxial Control Up to 500 Meters
Exposure	BRIGHTNESS / EXPOSURE MODE / GAIN
Backlight Mode	Off/Backlight Compensation/High Light Suppression
Electronic Shutter	Auto
White Balance	Auto tracking white balance/manual mode
Day & Night Mode	EXT (Default) /AUTO/COLOR/B/W
Image Enhancement	Contrast/Sharpness/Saturation/3D Noise Reduction
Language	ENGLISH/CHN1/ESPAÑOL/FRANCAIS/CHN2/ Russian/ITALIANO/EAHNIKA/POLSKI/Portuguese
Video Settings	Contrast/Sharpness/COLOR/GAIN/DNR/ Format/DWDR
Video Out	Aviation x 1
Video Output	AHD/TVI/CVI/CVBS
Video Out Type	1.0V p-p
Power In	12V DC 2A
Temp.	Outdoor: -20C to +60C
Humidity	0 to 95% RH (non-condensing)
Application	Outdoor IP66 Weatherproof Standard