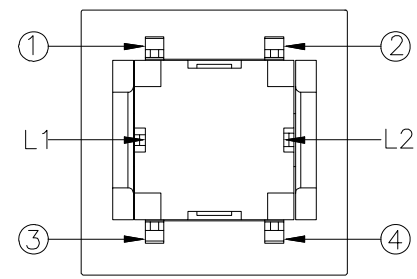
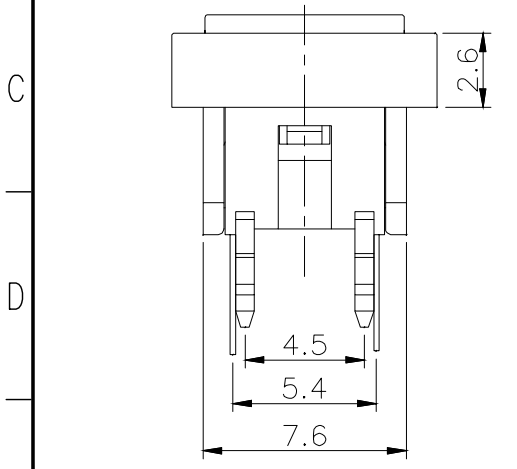
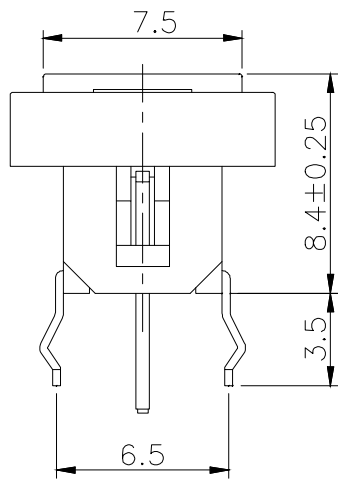
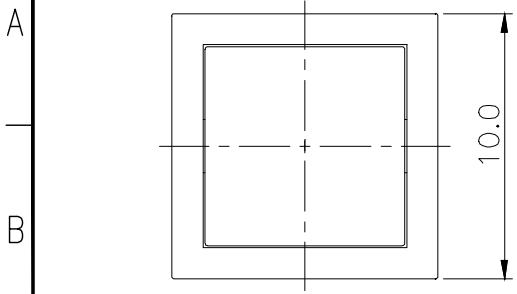


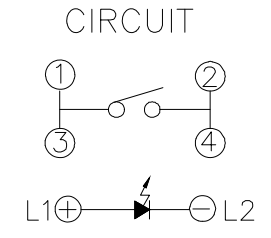
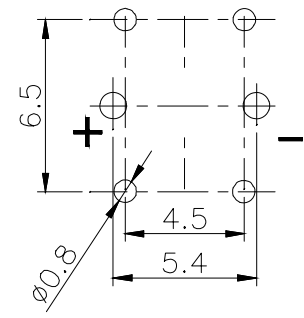
1 2 3 4 5 6 7 8

REV	DESCRIPTION	DRAWIN/DATE	CHECK/DATE	APPROVED/DATE
A	NEW RELEASE	YC.CHEN 23/04/21		



NOTES :

- PATING :DC 12V 50mA
- 1.1. VOITAGE :30 VDC (R.M.S.)
- 1.2. CURRENT :0.2AMPERE MAXIMUM PER CONTACT AT 30°C T-RISE
- 1.3. TEMPERATURE :-20°C TO +70°C
- 2.0. INSULATION RESISTANCE :100 MEGOHMS INITIAL
- 2.1. CONTACT RESISTANCE :SEE PRODUCT SPECIFICATION
- 2.2. DIELECTIC WITHSTANDING VOLTAGE :500 VAC AT SEE LEVEL
- 2.3. LIFE :100000 CYCLES
- 3.0. MATERIAL SEE BILL OF MATERIAL :



LED COLOR									
1	2	3	4	5	6	12	13	14	23
Red	Yellow	Green	Blue	White	Green Pure	Red Yellow	Yellow Red	Blue Red	Green Yellow

BILL OF MATERIAL :

ITEM	PART NAME	Q'TY/EA	DRAWING NO	PART NUMBER CODE	MATERIAL	COLOUR
6	LED	1	FS-TS-2011-06-00	TS-2011 LED	详见附表	/
5	SPRING	1	FS-TS-2011-05-00	TS-2011 SPRING	SUS 301	PLATING SILVER
4	BUTTON	1	FS-TS-2011-04-00	TS-2011 BUTTON	PA66	/
3	COVER	1	FS-TS-2011-03-00	TS-2011 COVER	PBT	/
2	CONTACT	1	FS-TS-2011-02-00	TS-2011 CONTACT	BRASS	PLATING SILVER
1	HOUSING	1	FS-TS-2011-01-00	TS-2011 HOUSING	PA66	BLACK

GENERAL TOLERANCE	ANGLE TOLERANCE
X. ±0.38	X* ±3.0°
.X ±0.25	.X' ±2.0°
.XX ±0.15	.XX' ±1.0°
.XXX ±0.10	
MAJOR (QC CHECKED) : ▼ = 2 Places	SCALE 1 : 1
CONTROL POINT	UNIT mm
FAI : to	
CRITICAL (Cpk & Cp) : [X] = Places	
SHEET 1 OF 1	

东莞市福顺电子科技有限公司
DONGGUAN FOSEN ELECTRONICS TECHNOLOGY CO.,LTD

DESIGN	DATE	TITLE
YC.CHEN	23/04/21	7.5X7.5mm NUDGE SWITCH SERIES
CHECK	DATE	TS-2011
JX.ZHOU	23/04/21	
APPROVED	DATE	SERIES NUDGE SWITCH SERIES
DAVID YU	23/04/21	SIZE A4
		DRAWIN NO FS-TS-2011-00-00
		REV A

1 2 3 4 5 6 7 8