

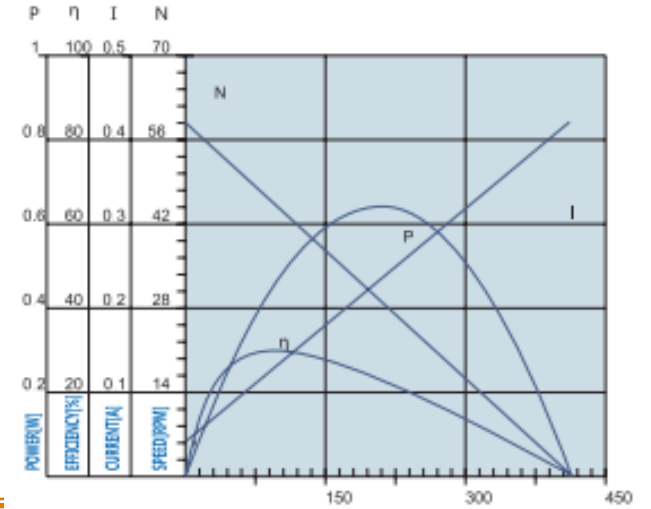
Model no.: WZ164K170/1620-12100

WZ164K170/1620-12100

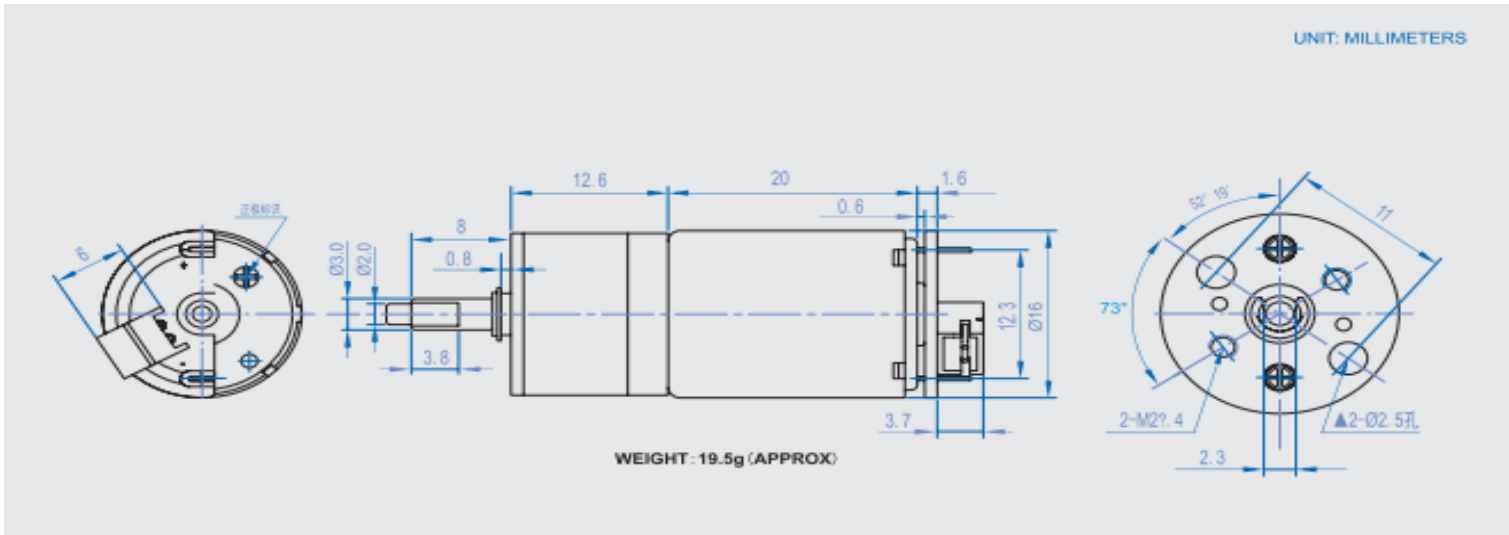
DC12V



Nominal voltage: DC12V
 Operating range: DC10V-13V
 No load current: 0.04A
 No load speed: 59rpm/min
 Current with load: 0.13A
 Speed with load: 45rpm/min
 Max efficient power: 0.46W
 Max efficiency: 30%
 Starting torque: 413.0mN.m
 Starting current: 0.42A



Dimensions



Main applications:
 1. Intelligent robotics;