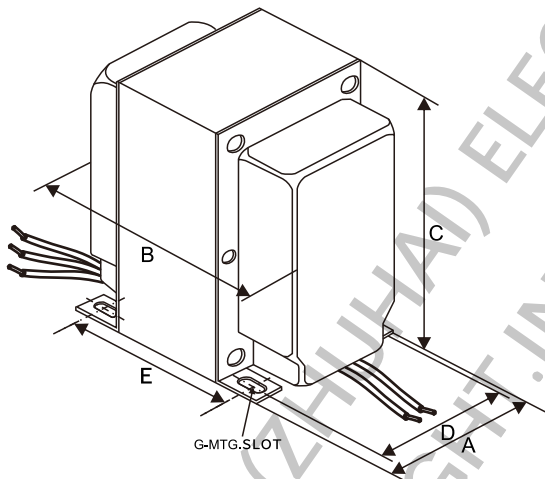




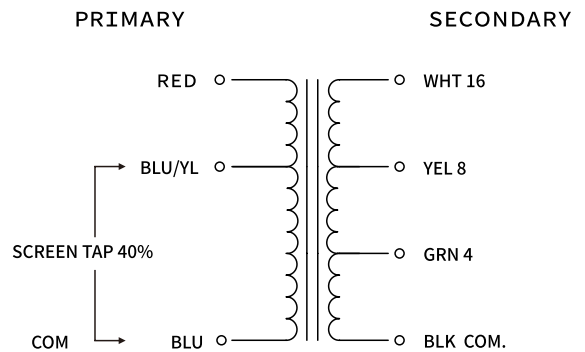
# AUDIO TRANSFORMERS (AT-17 SERIES)

## Features:

- The audio transformers (Single Ended type) are designed and built to meet the US and international safety standards.
- "Over designed" for high fidelity, single ended, Class-A, tube output circuits (triode, tetrode or pentode tubes).
- Enclosed (shielded), four slot, chassis mounting.
- Frequency response at least 20 Hz. to 20 KHz. at full rated power (+/- 1 db max., ref. 1 KHz.)
- Insulated flexible leads 8" min.
- For maximum versatility, all units (except the AT-17G & AT-17J) include a 40% screen tap for Ultra-Linear, tetrode/pentode operation (if desired). The AT-17G & AT-17J do NOT include this screen tap as they were designed principally for high impedance triode tubes.
- High quality laminations, (M6/Z11) grain oriented silicon steel.
- Core is gapped to reduce core saturation in Class-A tube amplifier circuits.
- Cross Reference: Hammond tube output single ended HIFI 1627-1642 Series.
- Custom versions upon requested.
- According to:



## •Schematic



Part No.	Audio Watts	Impedance (Ω)	Primary Max. DC Bias	Inductance (H)	Ultra-Linear 40% Primary Tap	Secondary Impedance (Ω)	Hipot Test (VRMS)	Dimensions (mm)						Weight (kg)
								A	B	C	D	E	G- Slot	
AT-17A	25	600	250 mA	15	Yes	4-8-16	2000	95	113	116	76	84	5.15 x 9.47	4.6
AT-17B	30	1250	200 mA	15	Yes	4-8-16	2000	95	125	116	76	97	5.15 x 9.47	5.6
AT-17C	30	2500	160 mA	20	Yes	4-8-16	2000	95	125	116	76	97	5.15 x 9.47	5.6
AT-17D	30	3500	135 mA	25	Yes	4-8-16	2000	95	125	116	76	97	5.15 x 9.47	5.6
AT-17E	30	5000	120 mA	35	Yes	4-8-16	2000	95	125	116	76	97	5.15 x 9.47	5.6
AT-17F	30	6500	100 mA	45	Yes	4-8-16	2000	95	125	116	76	97	5.15 x 9.47	5.6
AT-17G	30	10000	90 mA	75	No	4-8-16	2000	95	125	116	76	97	5.15 x 9.47	5.6
AT-17H	50	3500	300 mA	25	Yes	4-8-16	2000	111	146	133	89	105	5.15 x 9.47	9.6
AT-17I	50	5000	200 mA	35	Yes	4-8-16	2000	111	146	133	89	105	5.15 x 9.47	9.6
AT-17J	75	5000	300 mA	35	No	4-8-16	3500	111	191	133	89	149	5.15 x 9.47	12.7

## Notes:

1. RED wire connects to B+
2. BLUE/YELLOW wire connects to screen (optional use)
3. BLUE wire connects to the tube plate
4. The AT-17G & AT-17J do not include a primary screen tap (as they are designed for triode applications).