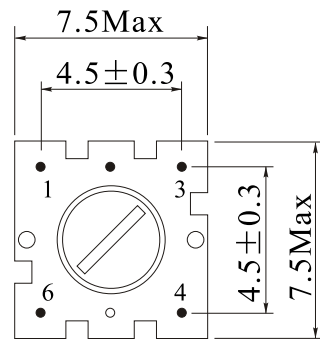
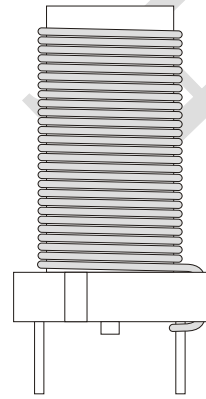
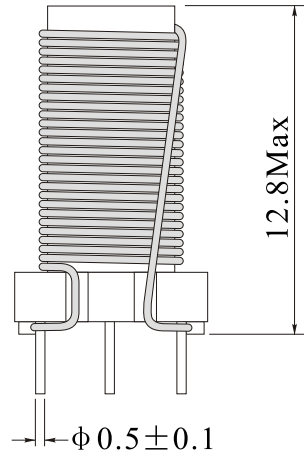
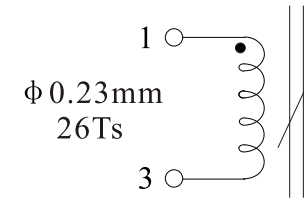


Rev.	Description	Date
A0	New release	2022.09.26

1. PHYSICAL CHARACTERISTICS (mm)



2. ELECTRONICAL SCHEMATIC



3. ELECTRONICAL SPECIFICATIONS

Inductance: 2.1~5.5uH@10MHz

Q: 45 Typ@10MHz

Operating Temperature: -40°C to +85°C

Test Instrument: HP4294A

NOTES:
 Temp 20°C 48%RH
 RoHS Compliant

NAME:	Adjustable inductor		
CUSTOMER P/N:		DATE:	2022-09-26
SHINHOM P/N:	IFT0712-3R8	REV: A0	PAGE
DRAWN BY	CHECKED BY	APPROVE BY	