

# LAN TRANSFORMER

## D206XX G-Series

10/100 Base-TX Dual Ports Magnetic Modules DIP



### Features And Benefits

Cable Interface For Isolation And Low Common Mode Emissions Compliant With RoHS Requirements

### Electrical Performance Summary

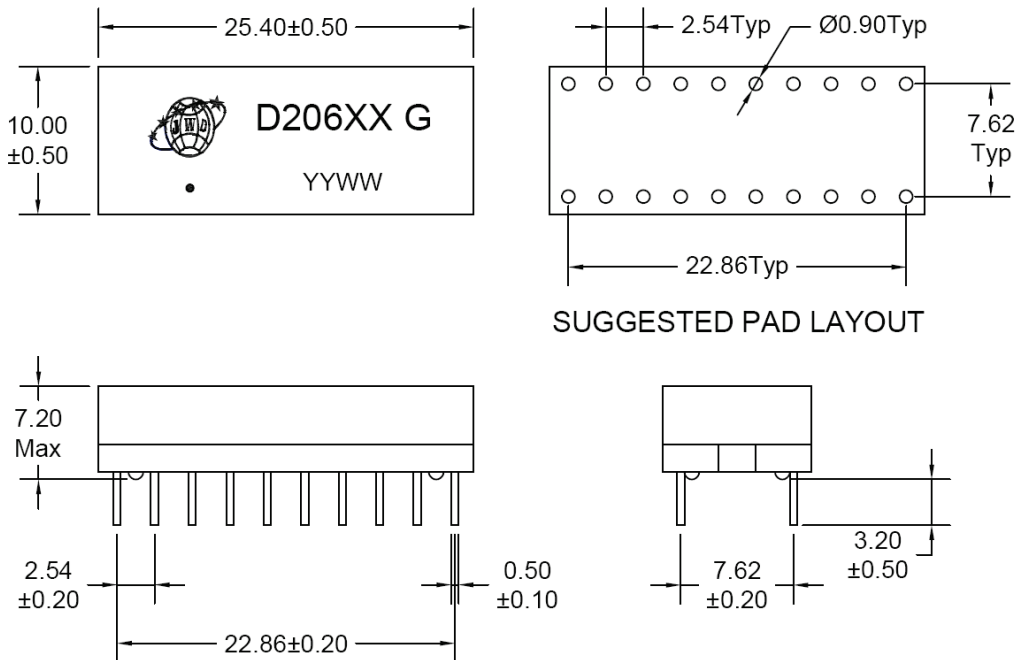
Designed For Ethernet 10/100 Base-TX, Full Dual Ports Applications

Compliant With IEEE 802.3 Standard For 10/100 Base-TX

### Electrical Specifications @ 25°C

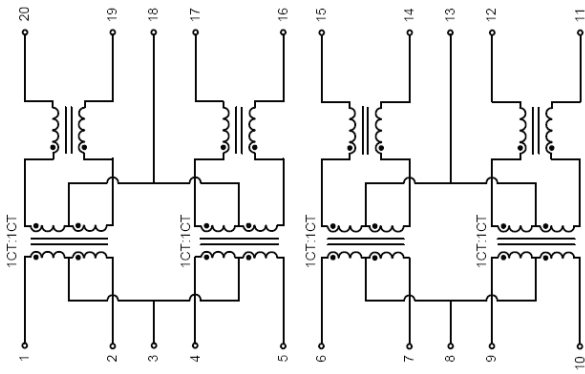
Part Number	DCL (μH)	Insertion Loss (dB)	Return Loss (dB)				Cross Talk (dB)	CMRR (dB)	Isolation Hipot (V)	PoE Rating	Operating Temperature (°C)
	Min	Max	Min				Min	Min			
	100kHz, 0.1V 8mA DC BIAS	1-100MHz	1-30 MHz	40 MHz	50 MHz	60-80 MHz	1-100 MHz	1-100 MHz	1mA, 60s		
D20601 G	350	-1.1	-18	-14.4	-13.1	-12	-30	-30	1500	NON-PoE	0 to 70
D20601T G	350	-1.1	-18	-14.4	-13.1	-12	-30	-30	1500	NON-PoE	-40 to 85
D20602 G	350	-1.1	-18	-14.4	-13.1	-12	-30	-30	1500	NON-PoE	0 to 70

### Mechanical



The Latest Changes Without Notice. Or The Latest Changes And Information Please Contact With Us!  
The Product Data Only Shows The Basic Parameter Characteristics. He Detailed Application Requirements And Matters Needing Attention Should Be Confirmed To Us

## D20601 G/D20601T G



## D20602 G

