

Model no.: WRS-7912PH-15148

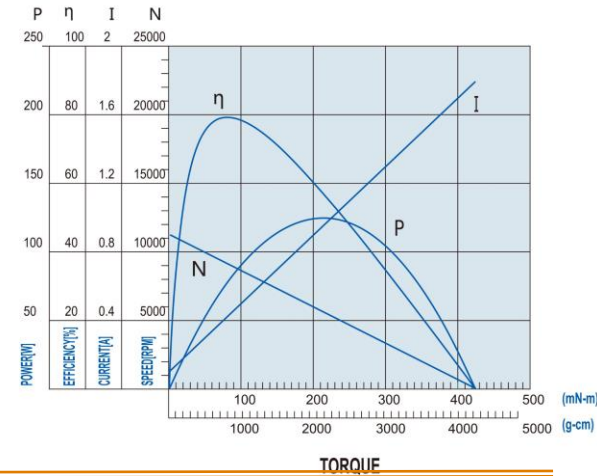


Main applications:

- Household appliances: multi-stirrers, mixers, juicer, blenders, soyabean milk devices.

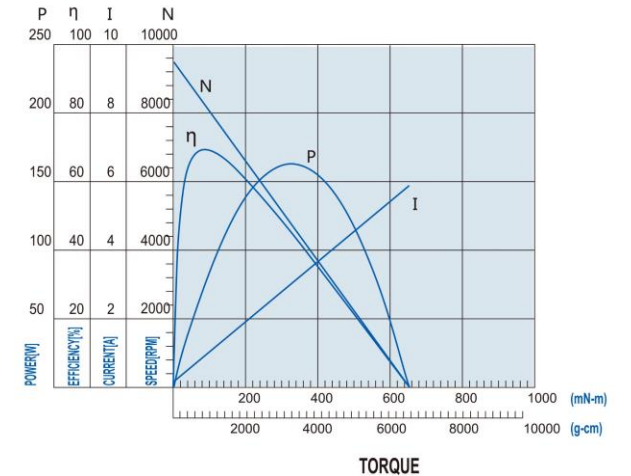
WRS7912PH-15148

DC230V

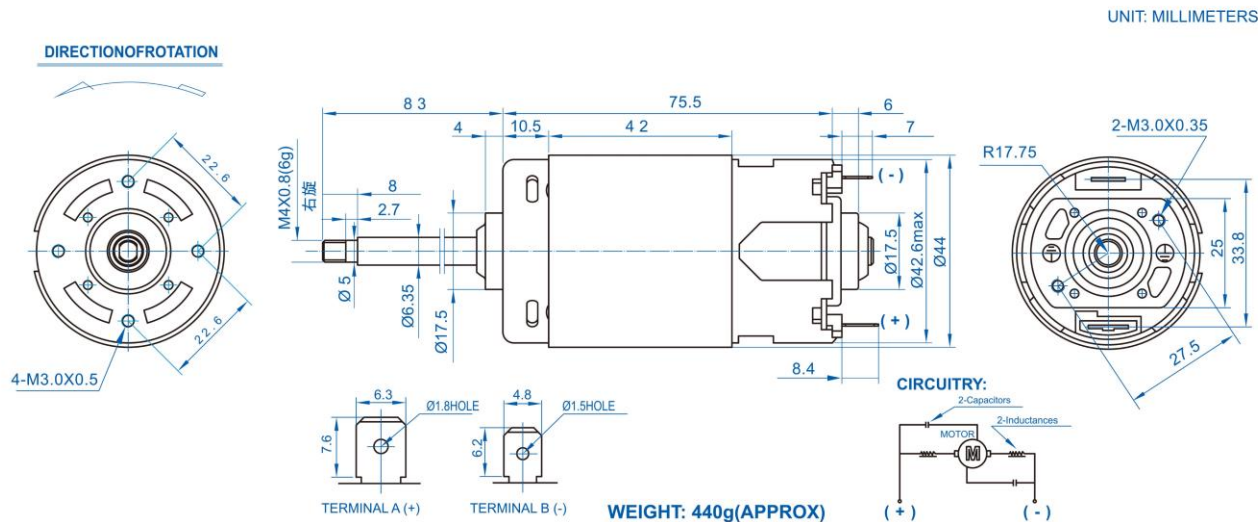


WRS7912PH-1972

DC120V



Dimensions



Nominal voltage: AC230V
 Operating range: DC207V-253V
 No load current: 0.1A
 No load speed: 11300rpm/min
 Current with load: 0.43A
 Speed with load: 9153rpm/min
 Power at max efficiency: 77.3W
 Starting torque: 425mN.m
 Starting current: 1.82A
 Output: 50W-220W