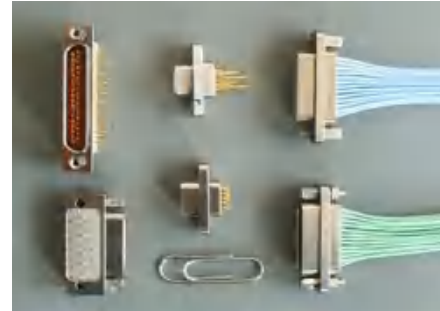


MDM series microminiature D connectors are being design with strong, lightweight aluminum shell and unique twist pin. MDM are used in application of military, medical equipment, robotics, hand held equipment and others. MDM series come in eight different shell sizes, such as 9、15、21、25、31、37、51、100 contacts.



The distance between each contact is 1.27mm. The connector can be matched to the lead of 0.035-0.15mm².

FEATURES

- High Strength Light Weight Aluminum Shells
- Extremely Small Interconnect
- Unique Twist Pin and Solid Tube Socket
- Total Environmental Sealing Silicone Interfacial Seals and Epoxy Potted Contact
- Pre-wired Connectors for Fast Easy Assembly

TECHNICAL PERFORMANCE

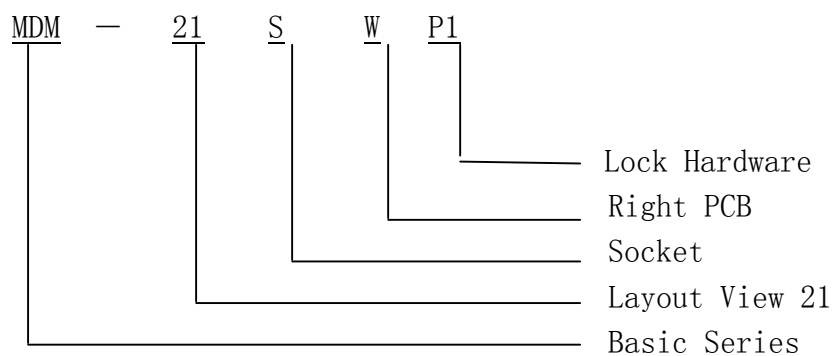
Environmental Condition		Main Technical Parameter	
Operating Temperature	-55~ +125℃	Working Current	3A max
Relative Humidity	+40℃ up 98%	Contact Resistance	≤8m Ω
Low Air Pressure	4.4KPa 200V	Insulation Resistance	In Normal Condition ≥ 5000M Ω , After Humidity ≥10M Ω
Vibration	10 ~ 2000HZ 196m/s ²	Withstanding Voltage	600V
Shock	490m/s ² 11ms	Duration	500 cycles

HOW TO ORDER

Item	Class	Description		Mark
1	Series Type	Micro-D Metal		MDM
2	Layout View	Mating Face to Insert		9、15、21、25、31、 37、51、100
3	Contact Type	Plug, Pin		P
		Socket, Receptacle		S
4	Special Contact	High Frequency Contact	Straight	nG(n stands for the contacts of high frequency contact)

			Right Angle	ng(n stands for the contacts of high frequency contact)
		High Current Contact	Straight	nD(n stands for the contacts of high current contact)
			Right Angle	nd(n stands for the contacts of high current contact)
5	Special Requested	Airproof		M
		Insertion Lock		Q
		Avoid Misplug		B
		Filter		Cn (1n is KPF capacitance)
6	Installation	Float		F
7	Termination	Crimp		Omit
		Solder		S
		Straight PCB		N
		Right PCS		W
8	Clamp Method	Shell		H
9	Leading Mode	Straight		Omit
		Right		J
10	Lock Mounting Hardware	Lock the plug with hardware		L
		Lock the socket with hardware		P
11	Plating	Nickel Plating		Omit
		Cadmium Plating		G
		Passivated Stainless Steel		D
12	Other			As per customer requirement

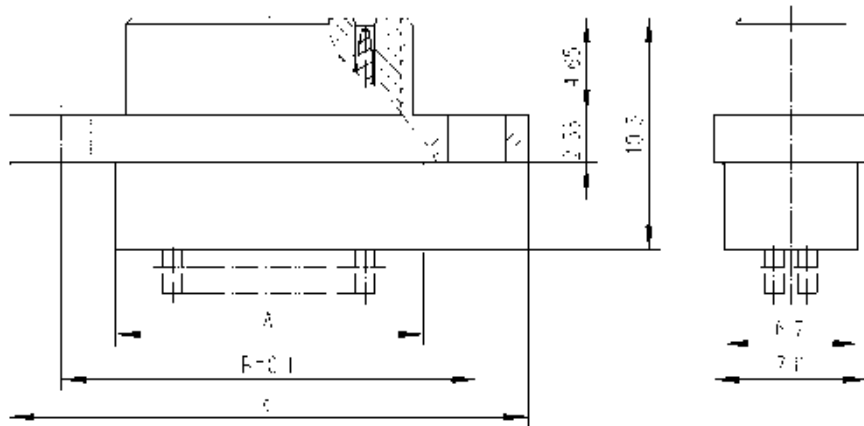
EXAMPLE



1. MDM CRIMP

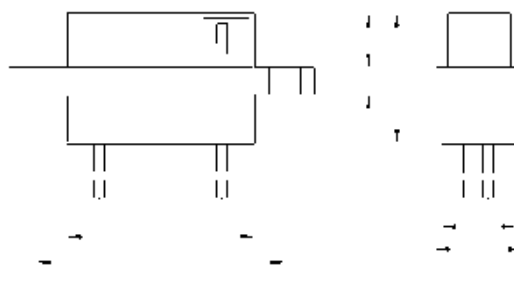
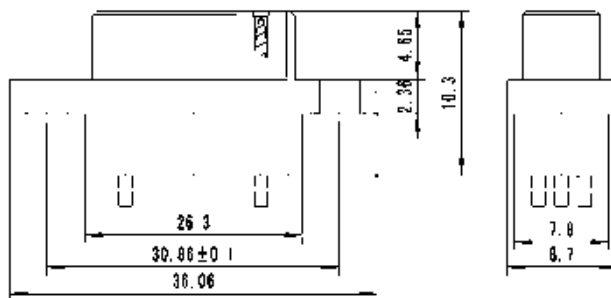
- This type of MDM is crimped between contact and pin. The customer are requested to state the type and length of pin when place order. Including other requires, such as color, shield, and wire.
- Choose the suitable mounting hardware from hardware view
- The hardware for free termination, L1、L2、L3 and L4.
- The hardware for fixed termination, P1,P2, P3, and P4.

OUTLLINE DIMENSION



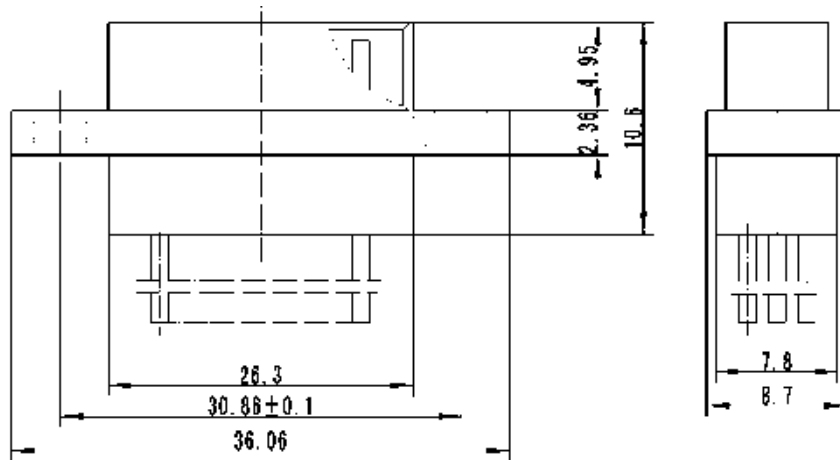
P/N	A	B	C
MDM-9P	9.9	14.35	19.55
MDM-15P	13.61	18.16	23.36
MDM-21P	17.6	21.97	27.17
MDM-25P	19.96	24.51	29.71
MDM-31P	23.77	28.32	33.52
MDM-37P	27.68	32.13	37.33

MDM-51P



P/N	A	B	C
MDM-9S	9.9	14.35	19.55
MDM-15S	13.61	18.16	23.36
MDM-21S	17.6	21.97	27.17
MDM-25S	19.96	24.51	29.71
MDM-31S	23.77	28.32	33.52
MDM-37S	27.68	32.13	37.33

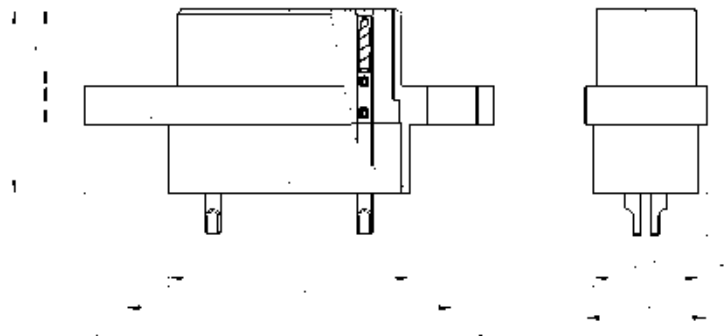
MDM-51S



2. MDM SOLDER

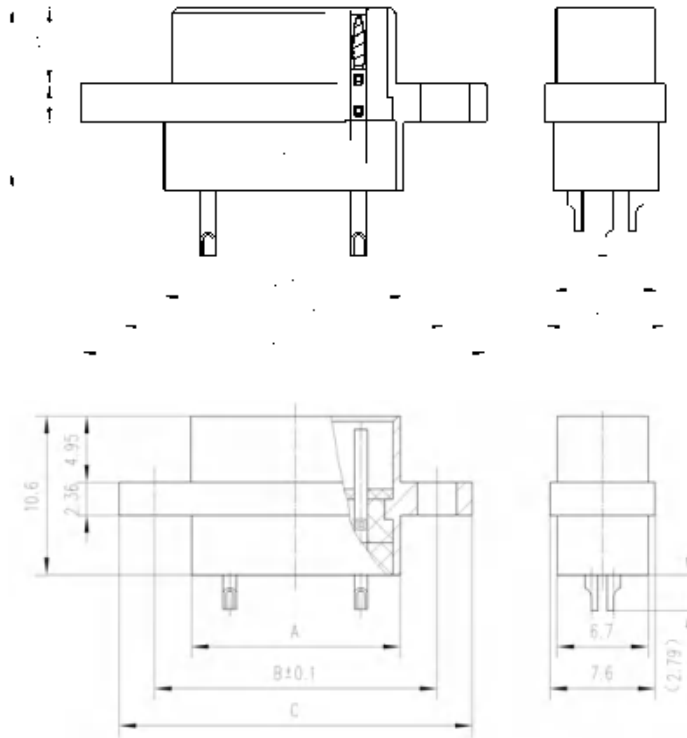
- This type of MDM is soldered between contact and pin. The customer are requested to state the type and length of pin when place order. Including other requires, such as color, shield, and wire.
- Choose the suitable mounting hardware from hardware view.
- The hardware for free termination: L1、L2、L3 and L4.
The hardware for fixed termination: .P1. P2, P3, and P4.

OUTLINE DIMENSION

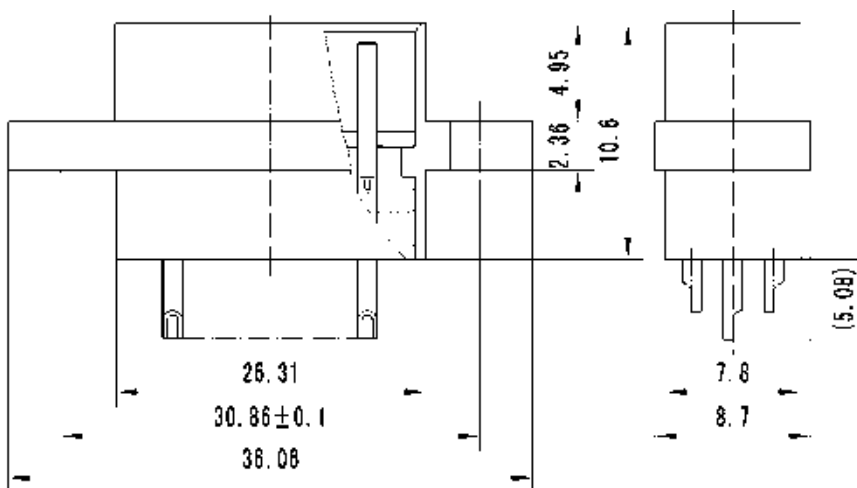


P/N	A	B	C
MDM-9PS	9.9	14.35	19.55
MDM-15PS	13.61	18.16	23.36
MDM-21PS	17.6	21.97	27.17
MDM-25PS	19.96	24.51	29.71
MDM-31PS	23.77	28.32	33.52
MDM-37PS	27.68	32.13	37.33

MDM-51PS



P/N	A	B	C
MDM-9SS	9.9	14.35	19.55
MDM-15SS	13.61	18.16	23.36
MDM-21SS	17.6	21.97	27.17
MDM-25SS	19.96	24.51	29.71
MDM-31SS	23.77	28.32	33.52
MDM-37SS	27.68	32.13	37.33



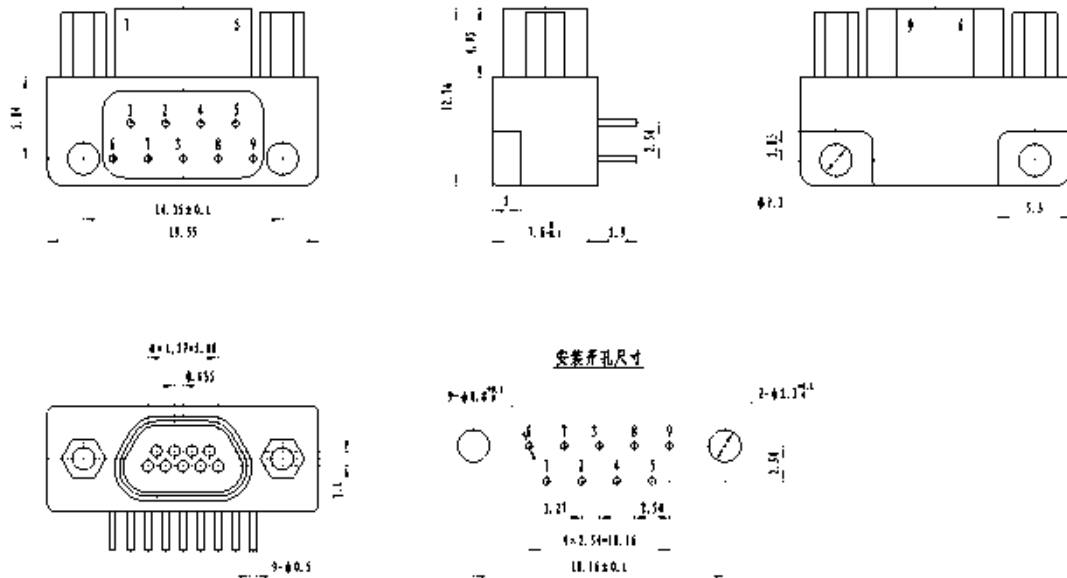
MDM-51SS

3. MDM RIGHT PCB W TYPE SOCKET

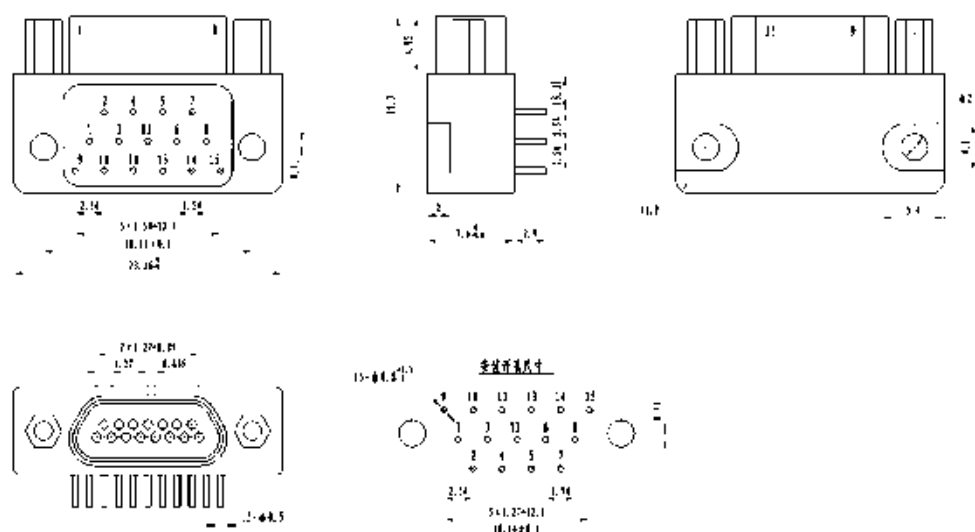
- This type of MDM is W type connector with right PCB.
- Gridding dimension is $2.54 \times 2.54\text{mm}$. Hardware is P1 type. Other hardware is also available.
- The products are produced by Q/MB20333-2006

OUTLINE DIMENSION

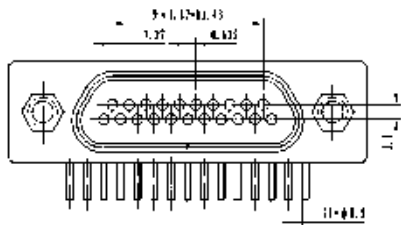
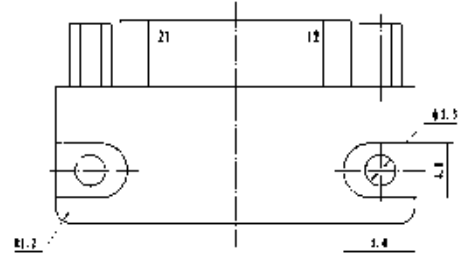
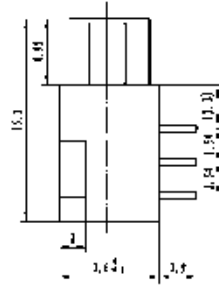
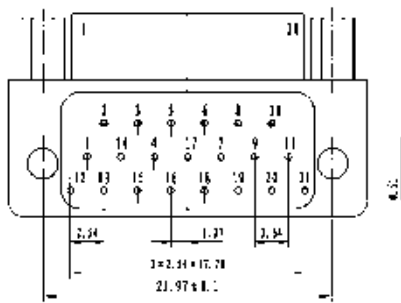
MDM-9SWP1



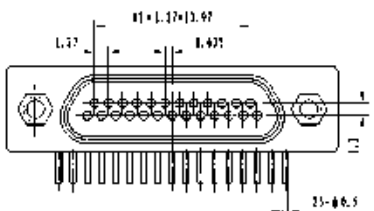
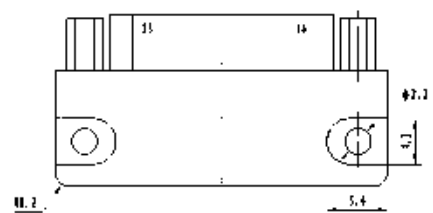
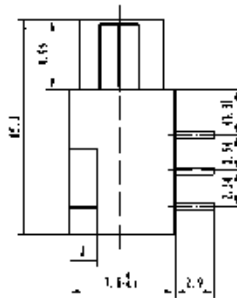
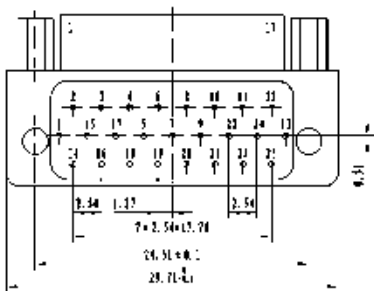
MDM-15SWP1



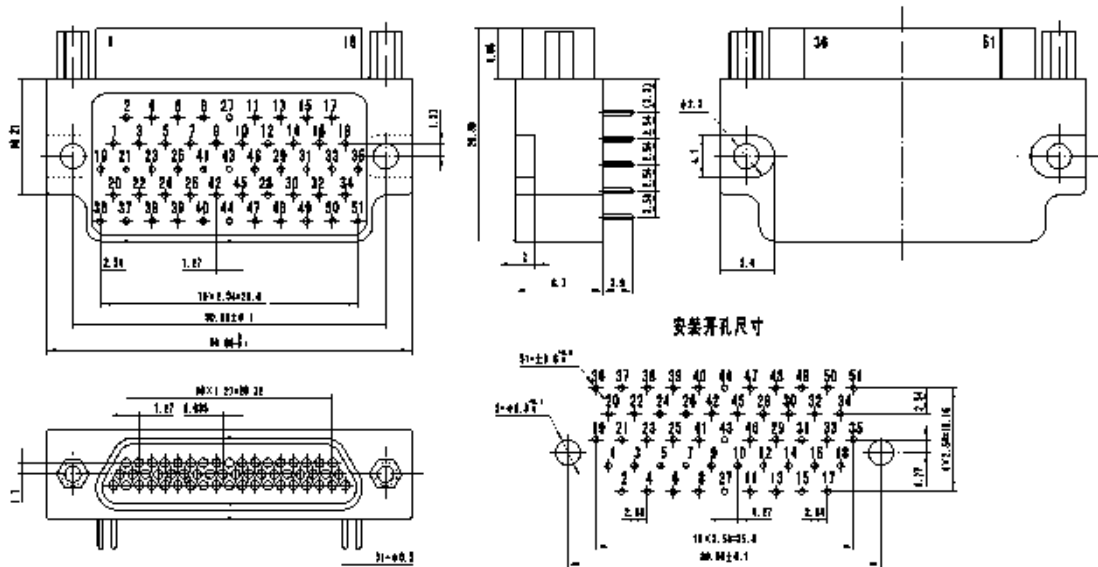
MDM-21SWP1



MDM-25SWP1



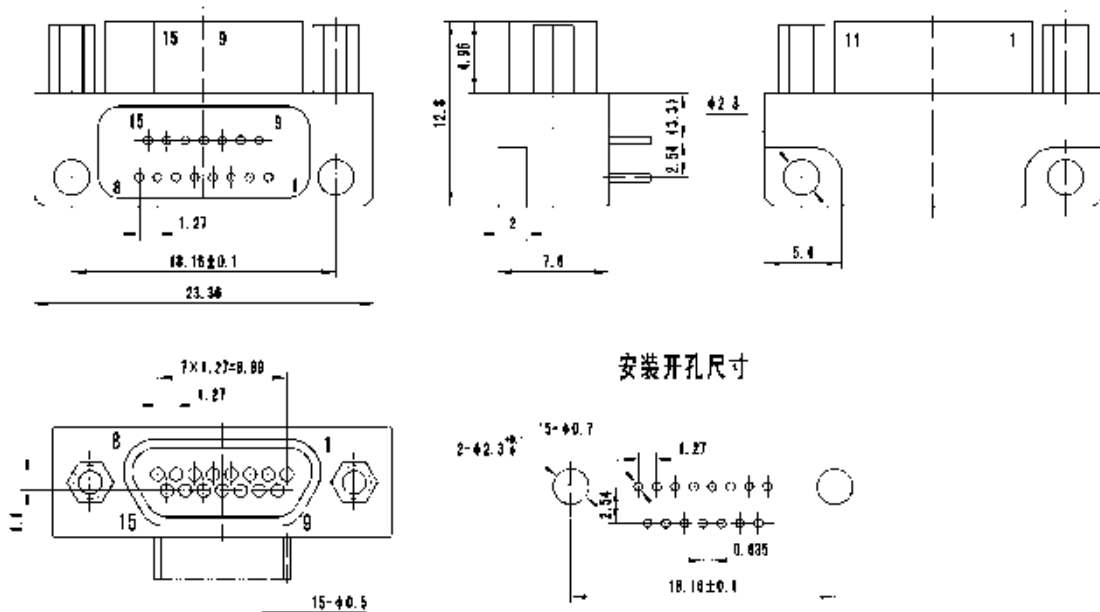
MDM-51SWP1



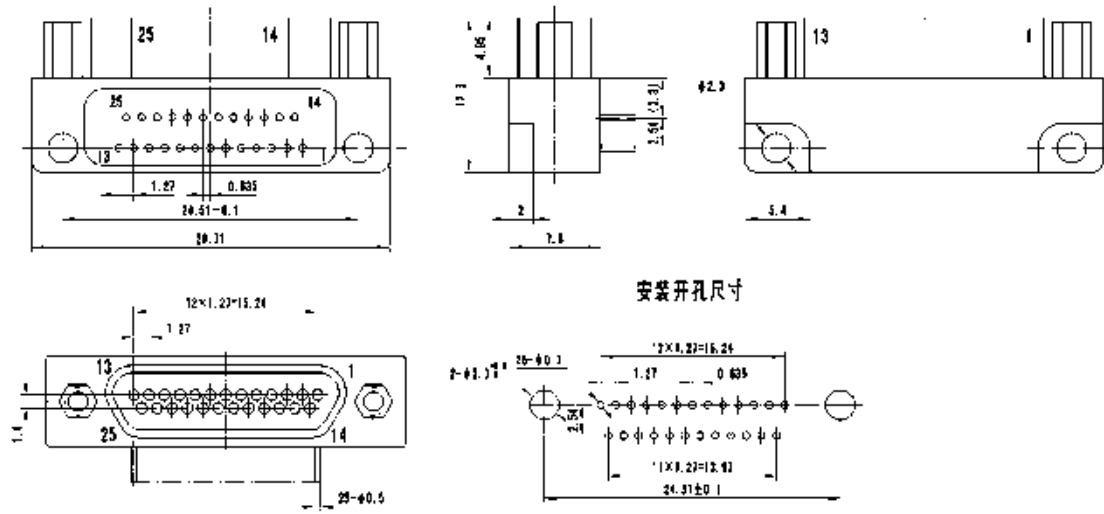
4. MDM RIGHT PCB W1 TYPE SOCKET

- This type of MDM is W1 type connector with right PCB.
- Griding dimension is 1.27×2.54 mm. Hardware is P1 type. Other hardware is also available.

MDM-15SW1P1

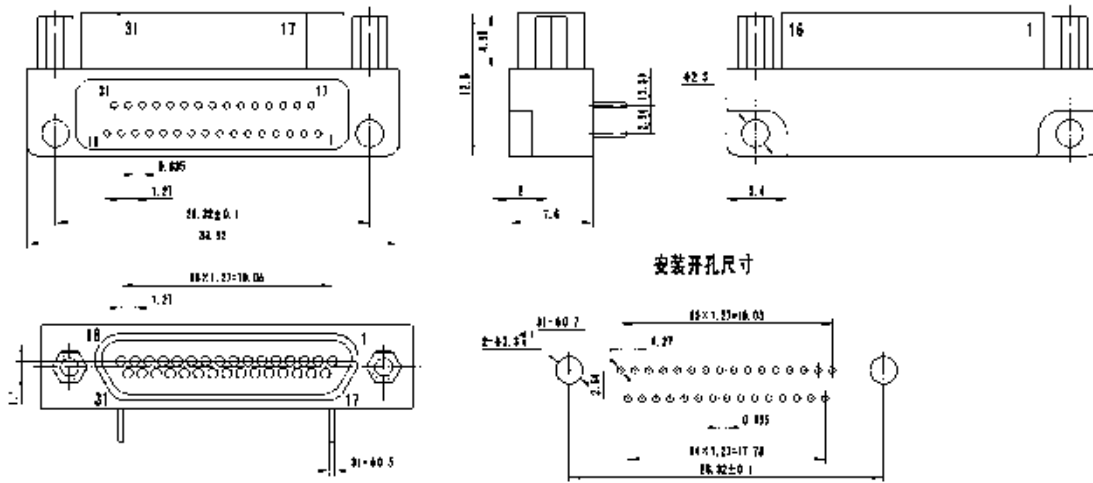


MDM-25SW1P1



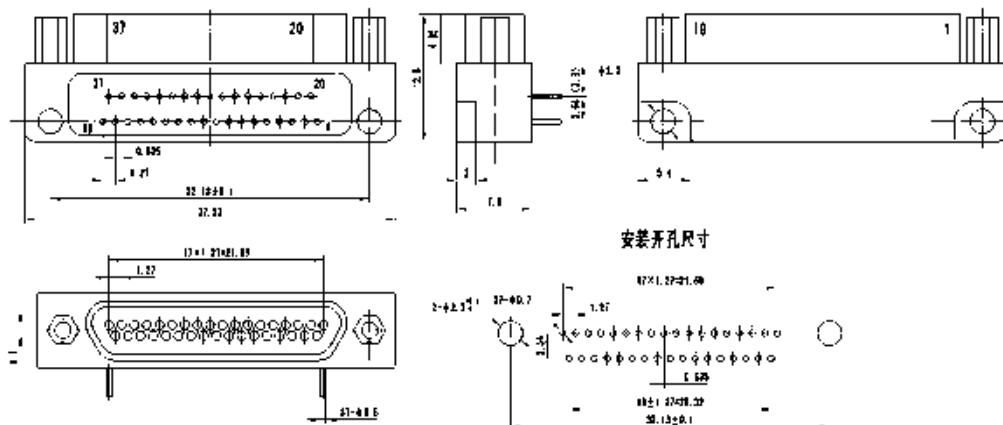
安装开孔尺寸

MDM-31SW1P1



安装开孔尺寸

MDM-37SW1P1

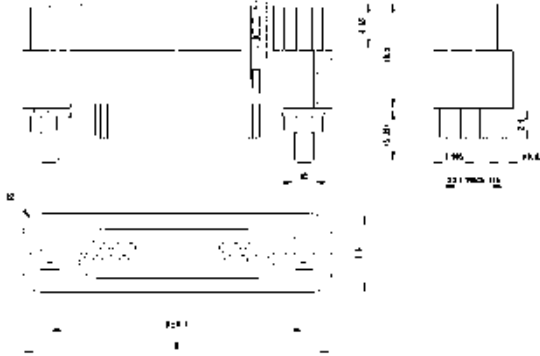


安装开孔尺寸

5. MDM STRAIGHT PCB N TYPE

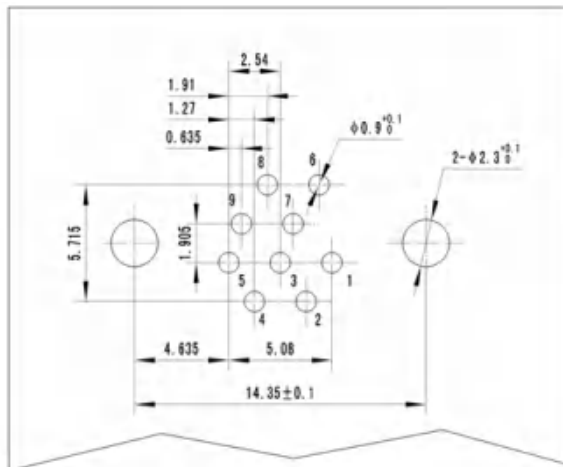
- This type of MDM is N type with straight PCB, 4 lines terminal with P4 type hardware. Other hardware is available.

OUTLINE DIMENSION

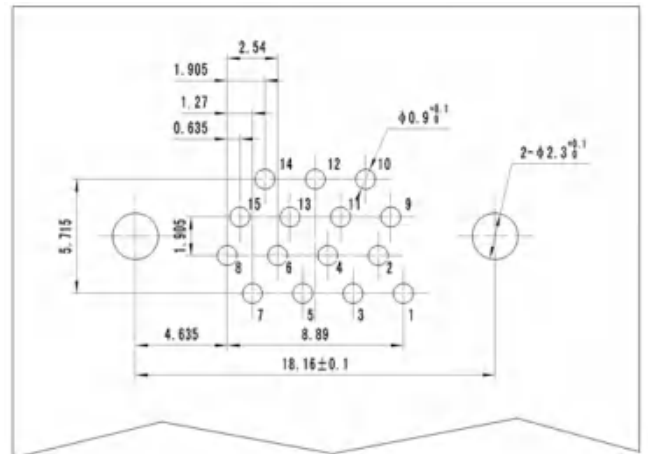


P/N	A	B
MDM-9PNP4	14.35	19.55
MDM-15PNP4	18.16	23.36
MDM-21PNP4	21.97	27.17
MDM-25PNP4	24.51	29.71
MDM-31PNP4	28.32	33.52
MDM-37PNP4	32.13	37.33

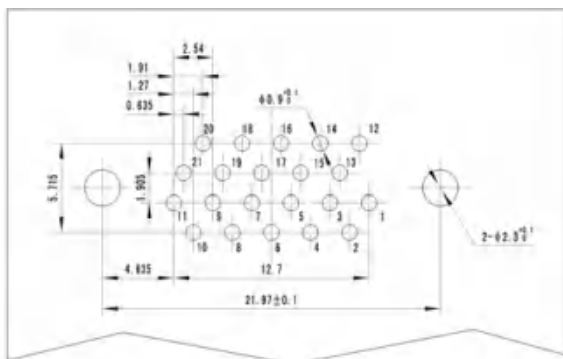
MDM STRAIGHT PCB PLUG INTERFACE DIMENSION



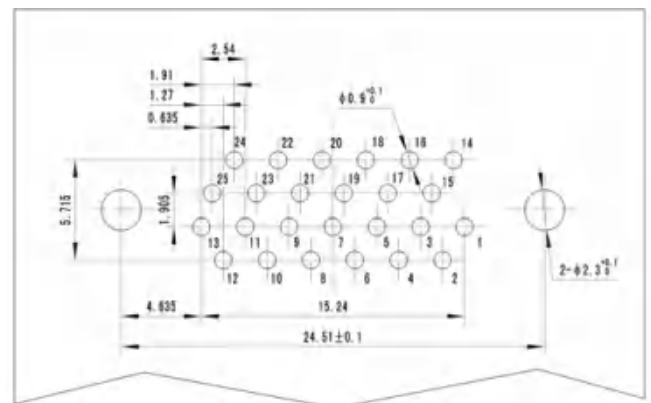
9 contacts



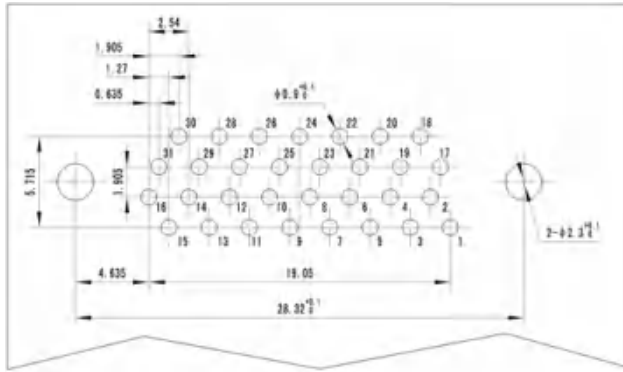
15 contacts



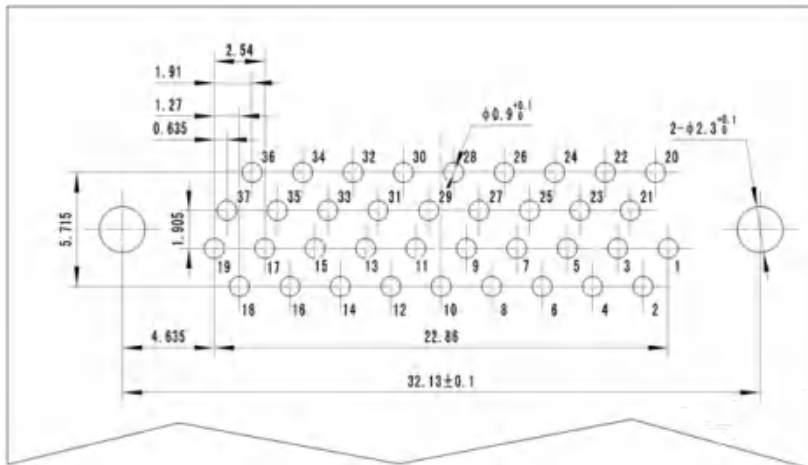
21 contacts



25 contacts



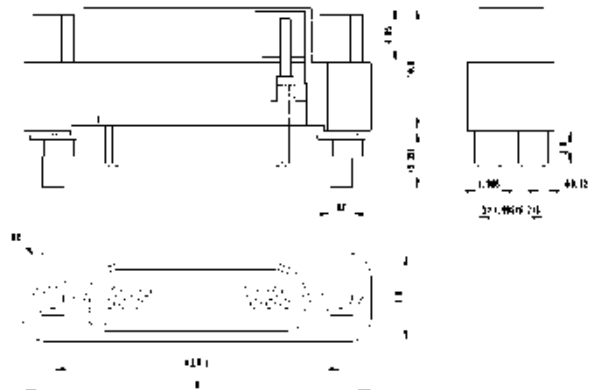
31contacts



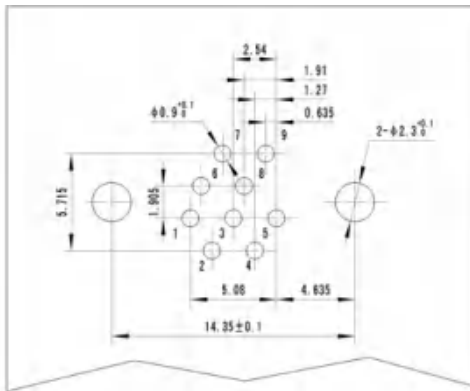
37contacts

P/N	A	B
MDM-9SNP4	14.35	19.55
MDM-15SNP4	18.16	23.36
MDM-21SNP4	21.97	27.17
MDM-25SNP4	24.51	29.71
MDM-31SNP4	28.32	33.52
MDM-37SNP4	32.13	37.33

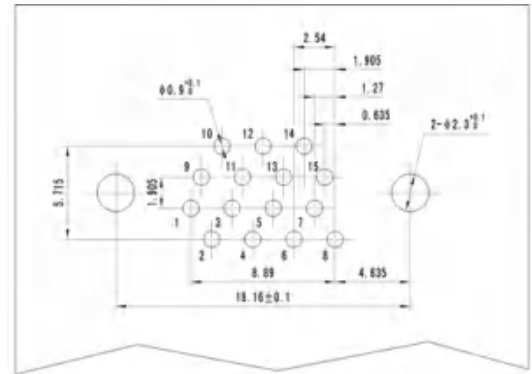
OUTLINE DIMENSIONS



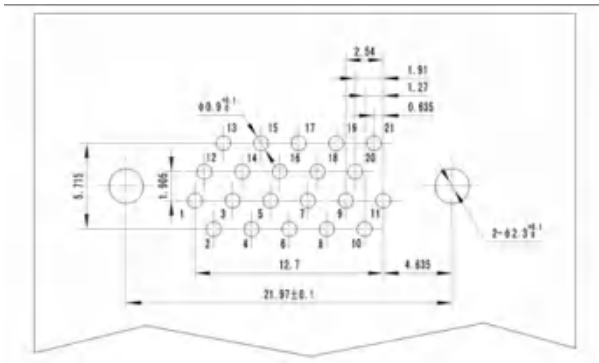
MDM STRIGHT PCB SOCKET INTERFACE DIMENSION



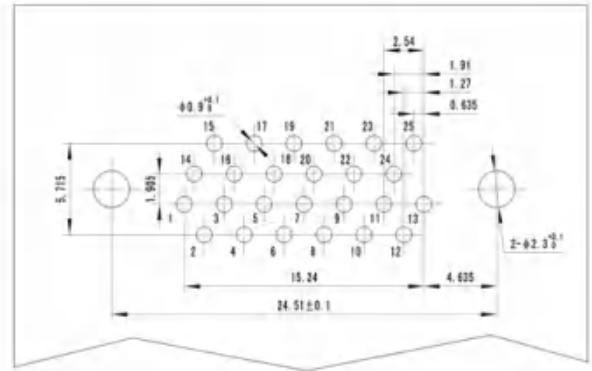
9



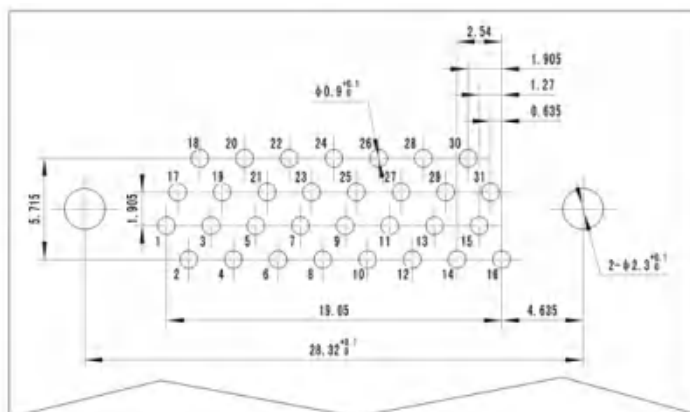
contacts



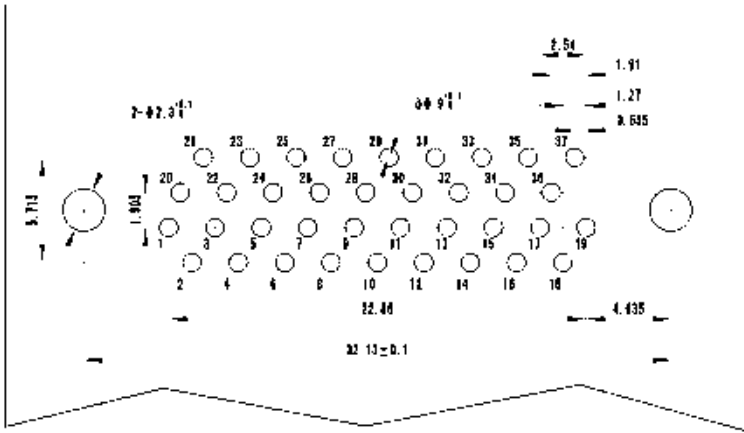
21 contacts



25 contacts



31contacts

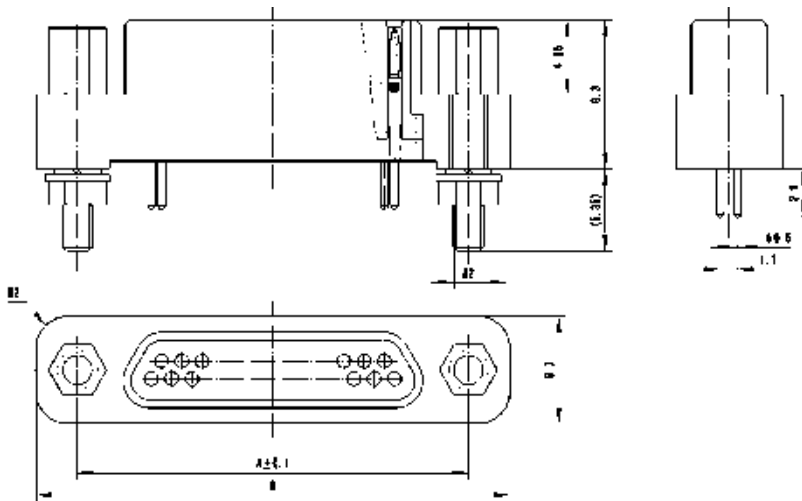


37contacts

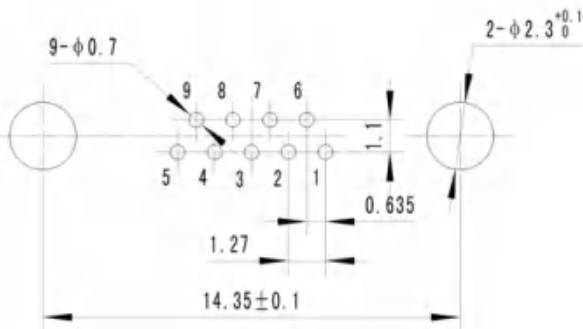
P/N	A	B
MDM-9PN1P4	14.35	19.55
MDM-15PN1P4	18.16	23.36
MDM-21PN1P4	21.97	27.17
MDM-25PN1P4	24.51	29.71
MDM-31PN1P4	28.32	33.52
MDM-37PN1P4	32.13	37.33

6. MDM STRAIGHT PCB N1 TYPE

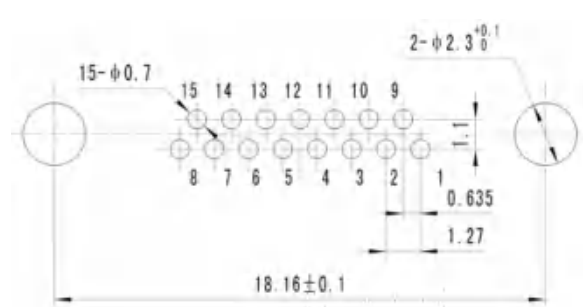
• This type of MDM is N1 type with straight PCB, 2 lines terminal with P4 type hardware. Other hardware is available.



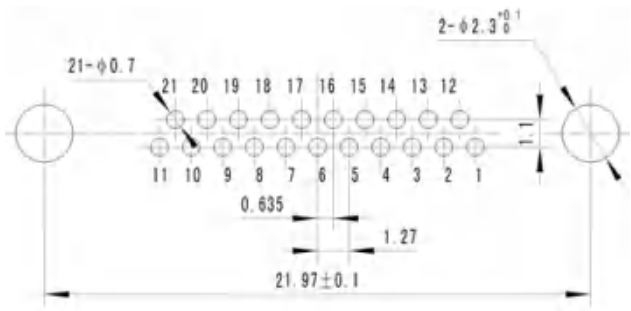
MDM STRAIGHT PCB N1 TYPE PLUG INTERAFCE DIMENSION



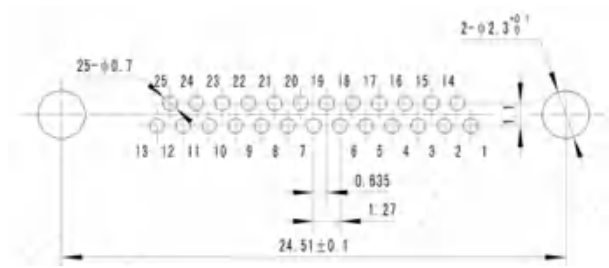
9 contacts



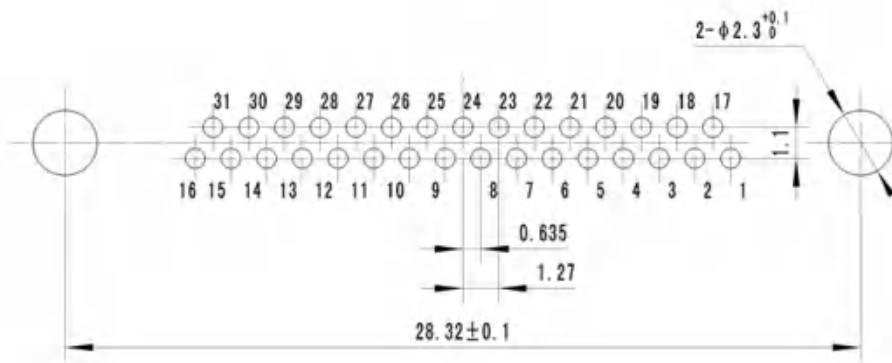
15contacts



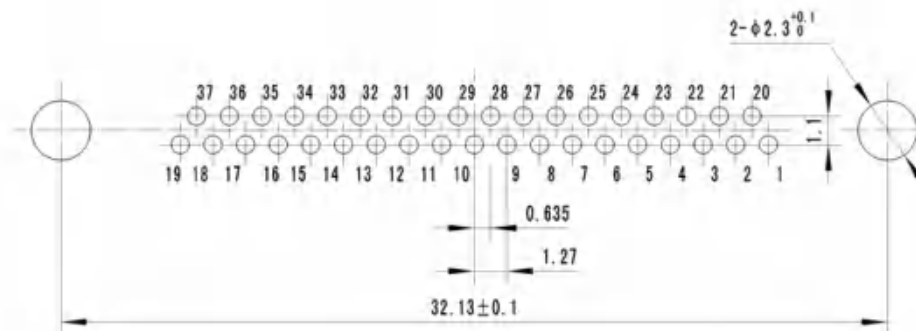
21contacts



25contacts

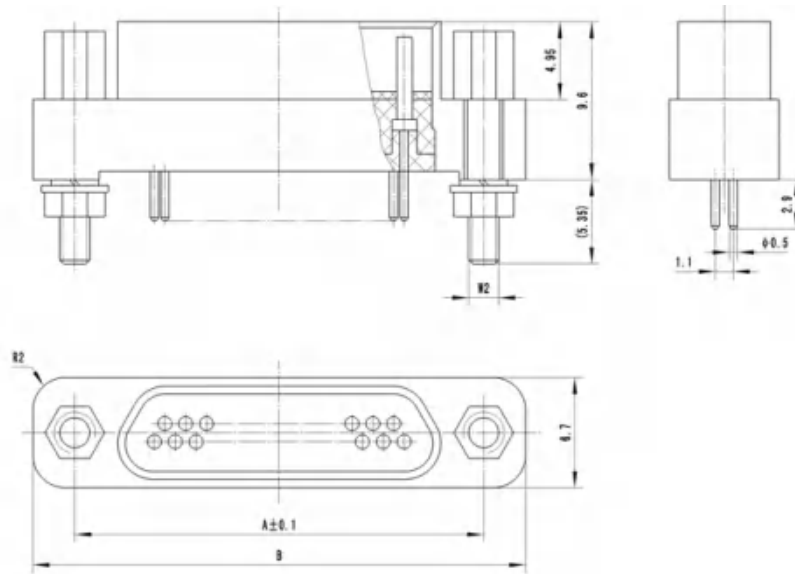


31contacts

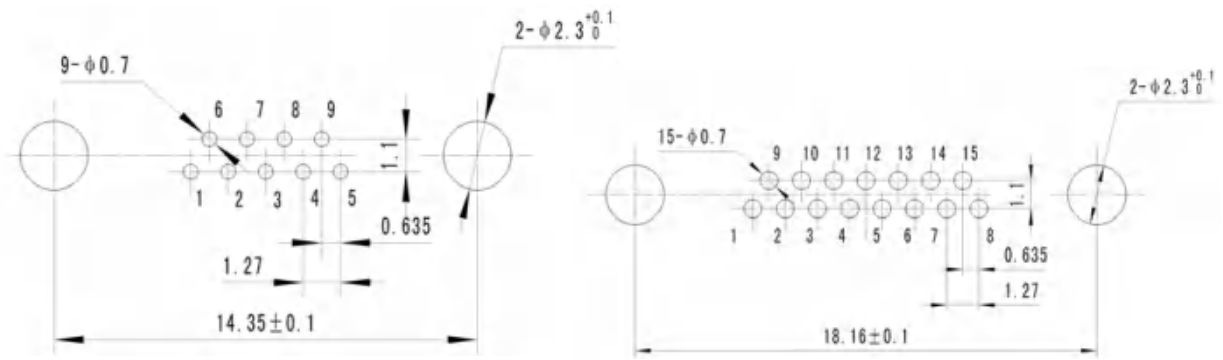


37contacts

OUTLINE DIMENSION

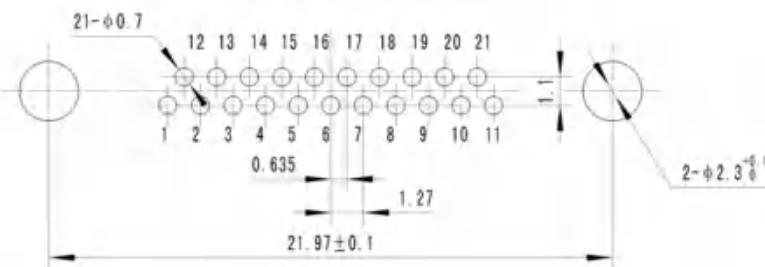


MDM STRAIGHT PCB N1 JACK INTERFACE DIMENSION



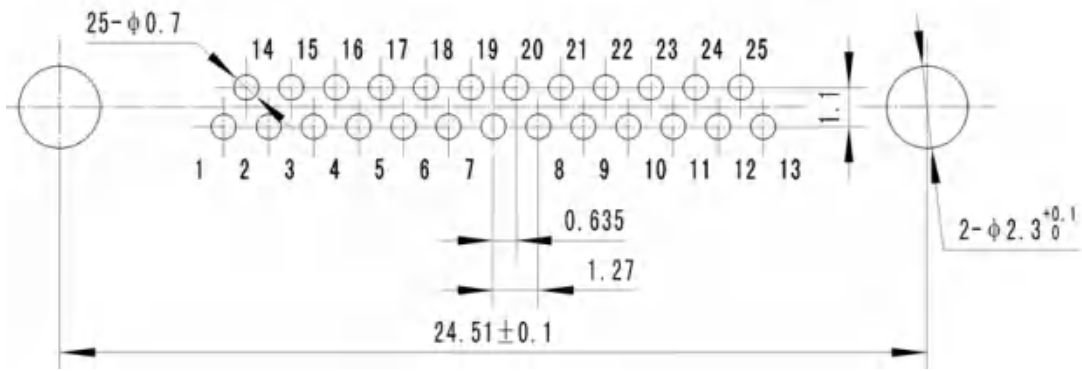
9contacts

15contacts

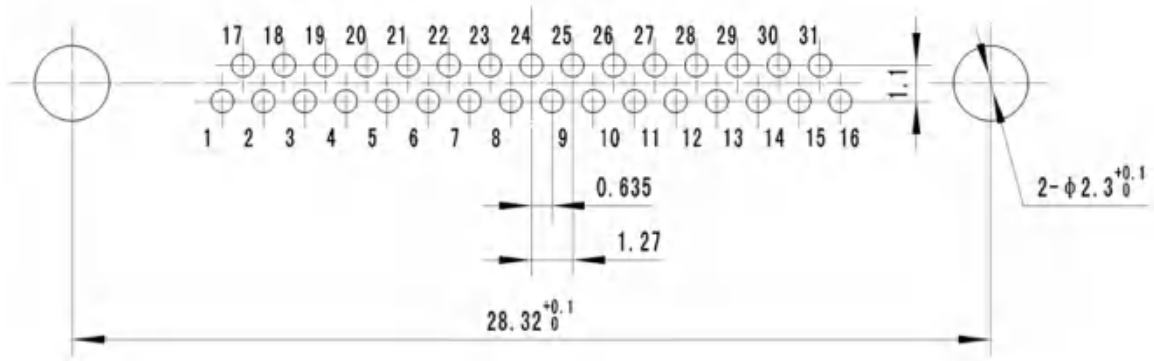


21contacts

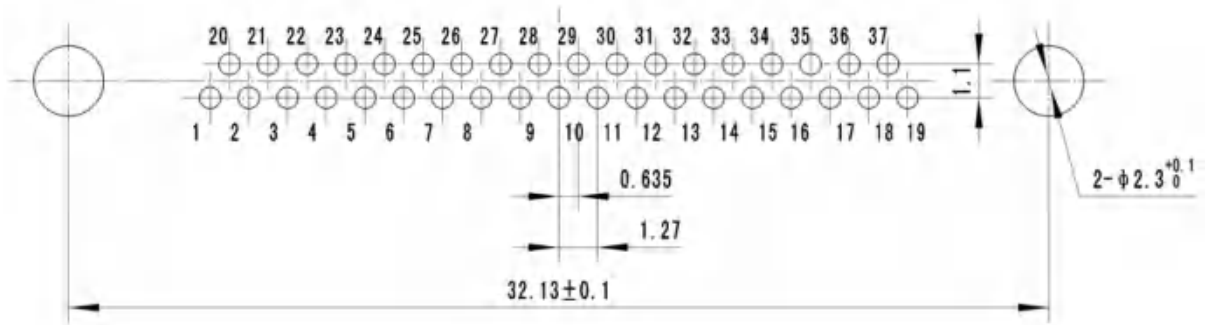
P/N	A	B
MDM-9SN1P4	14.35	19.55
MDM-15SN1P4	18.16	23.36
MDM-21SN1P4	21.97	27.17
MDM-25SN1P4	24.51	29.71
MDM-31SN1P4	28.32	33.52
MDM-37SN1P4	32.13	37.33



25contacts



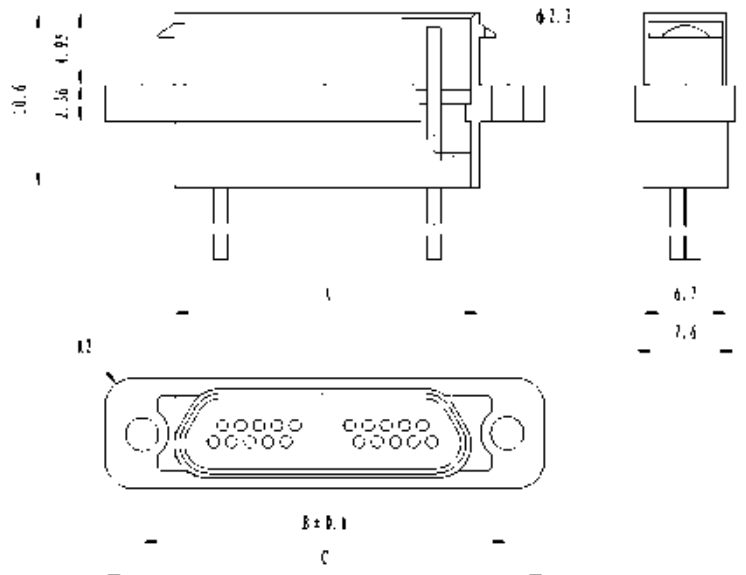
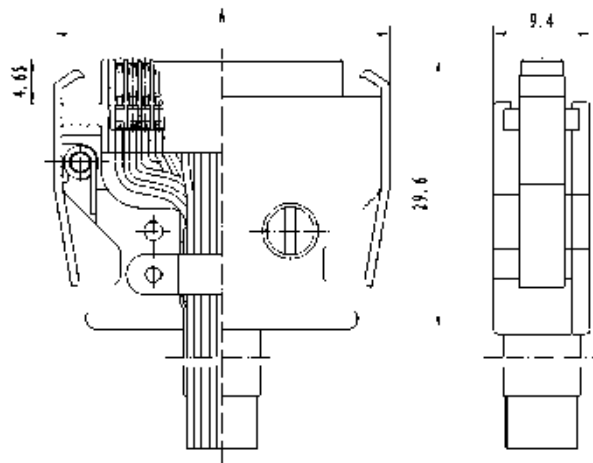
31contacts



37contacts

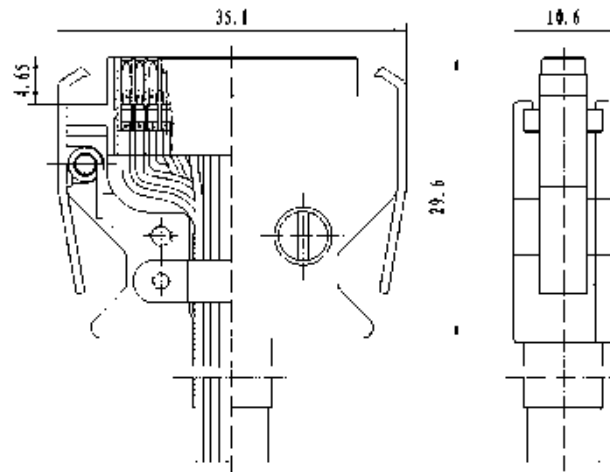
7. MDM AUTOMATIC LOCK

P/N	A
MDM-9PQH	18.5
MDM-15PQH	22.3
MDM-21PQH	26.1
MDM-25PQH	28.7
MDM-31PQH	32.5
MDM-37PQH	36.3
MDM-51PQH	35.1

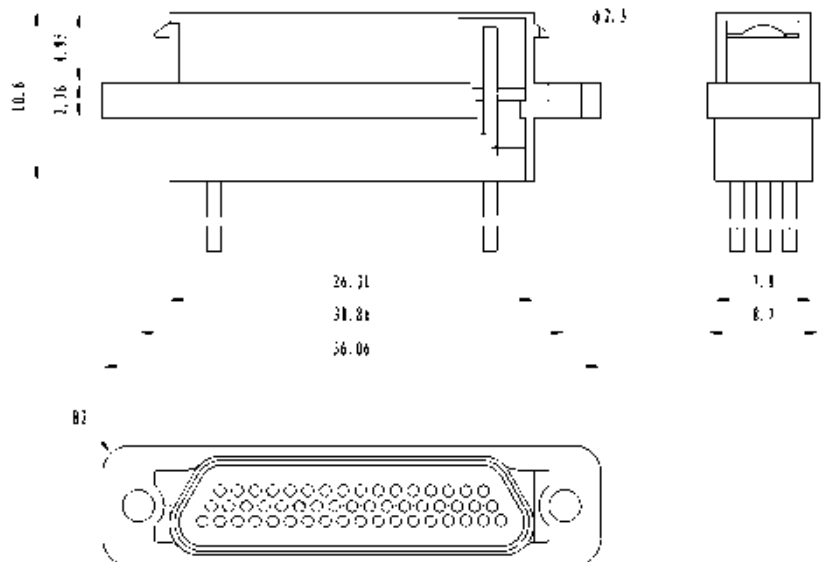


P/N	A	B	C
MDM-9SQ	9.9	14.35	19.55
MDM-15SQ	13.61	18.16	23.36
MDM-21SQ	17.6	21.97	27.17
MDM-25SQ	19.96	24.51	27.17
MDM-31SQ	23.77	28.32	33.52
MDM-37SQ	27.68	32.13	37.33

MDM-51PQH

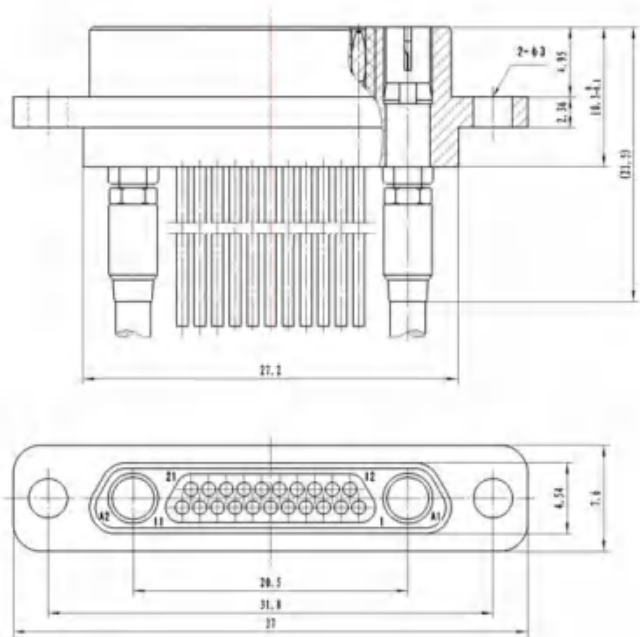


MDM-51SQ

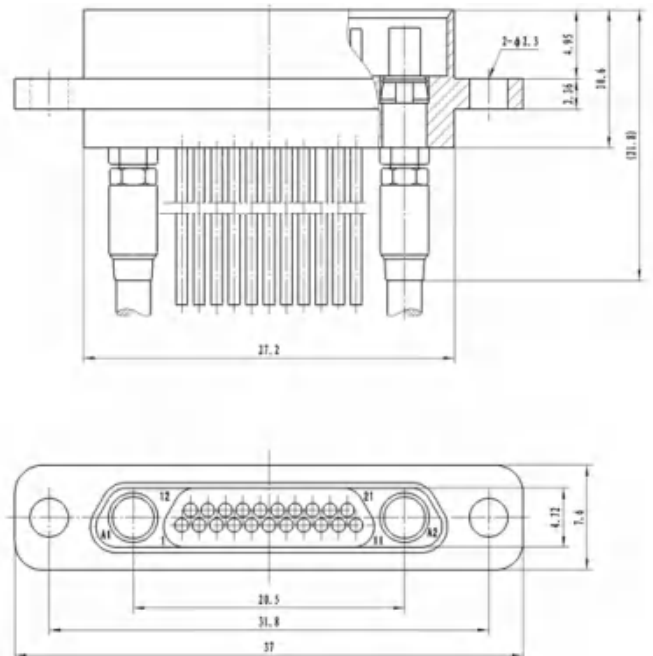


8. MDM HIGH & LOW FREQUENCY MIXED

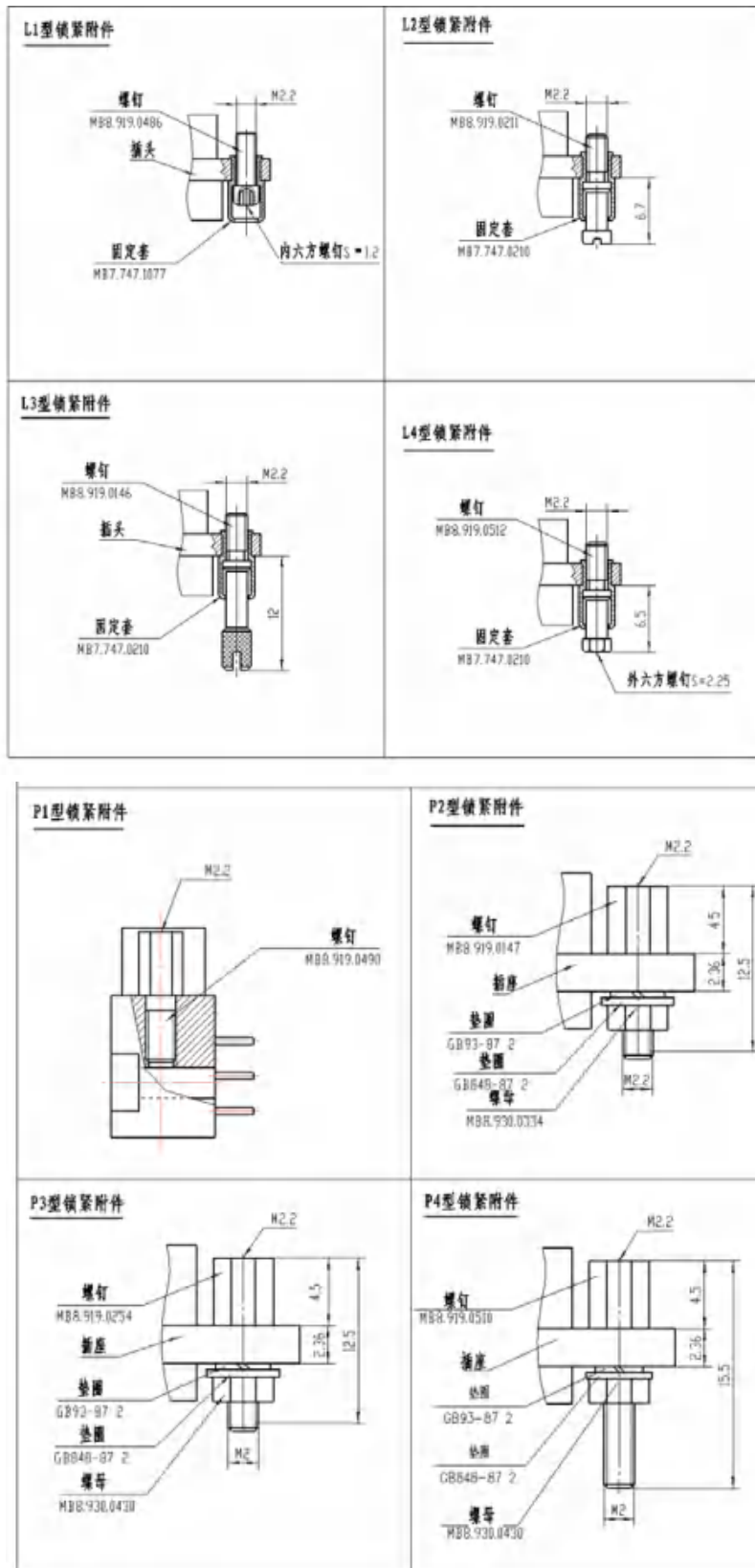
MDM-21P2G



MDM-21S2G



MDM MOUNTING HARDWARE VIEW



MDM PLUG CONTACT ARRANGEMENTS (FACE VIEW OF INSERT)

