

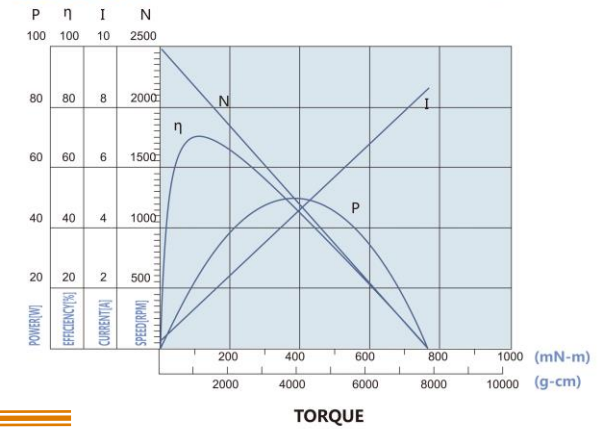
Model no.: 59LTY2425A



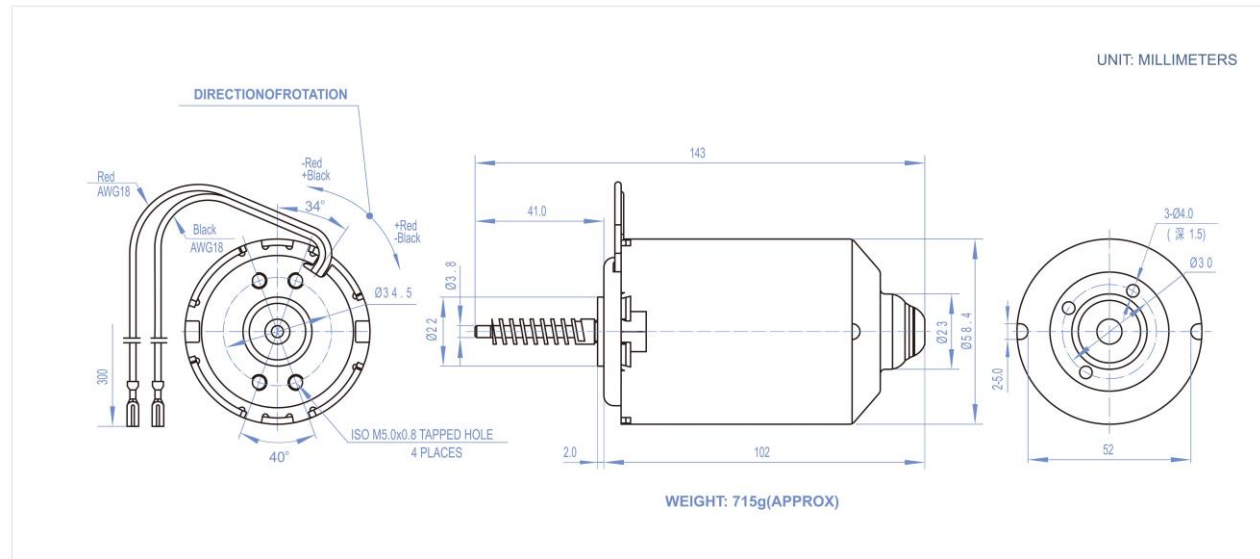
Rated voltage: DC24V
 Operating range: DC22V-26V
 No load current: 0.25A
 No load speed: 2500rpm/min.
 Current with load: 1.47A
 Speed with load: 2137rpm/min.
 Max. output: 24.5W
 Max Efficiency: 70%
 Starting torque: 765.0 mN.m
 Starting current: 8.6A

59LTY2425A

DC24.0V



Dimensions



Main applications:

1. Intelligent furniture: Actuator drive system for electric beds & chairs or adjustable tables.