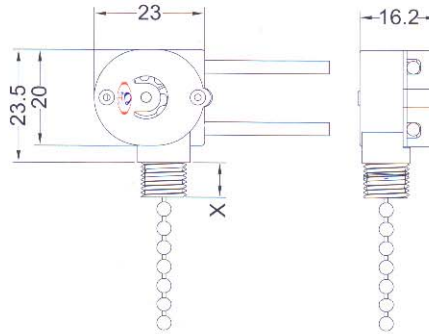
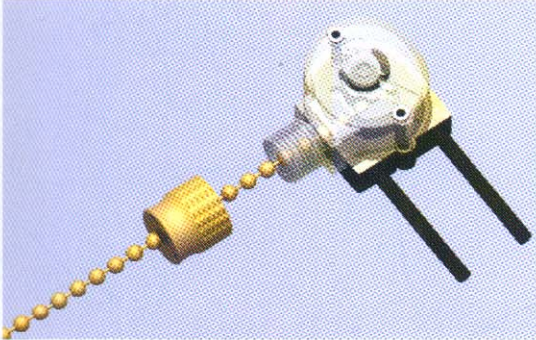




Single-circuit Pull-Chain Switches

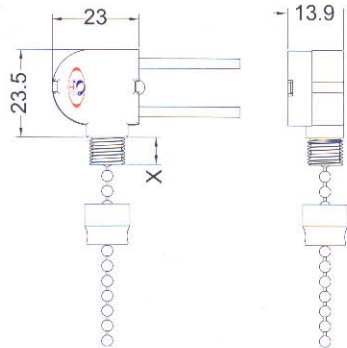
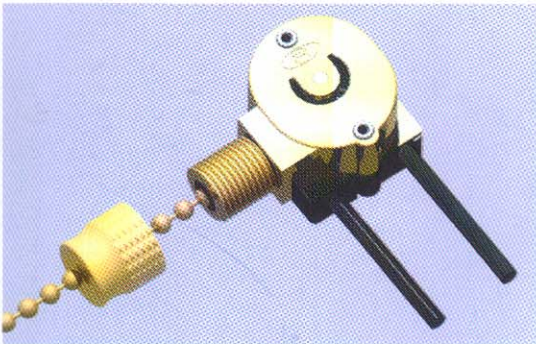
SUBSECTION	PAGE
A	I

301A



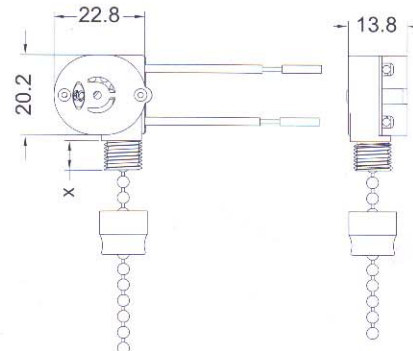
**Cat. No. LS-301 series
Single-Circuit Pull-Chain canopy
Switch Sequence-load 1 on,
Load 1 off**

Compact switch design with black and molded plastic body and clear or aluminum zinc alloy nipple. Supplied with 2 1/4" pull chain in brass or nickel plated. Bell mouths and pull cord, bulk packed in each carton.



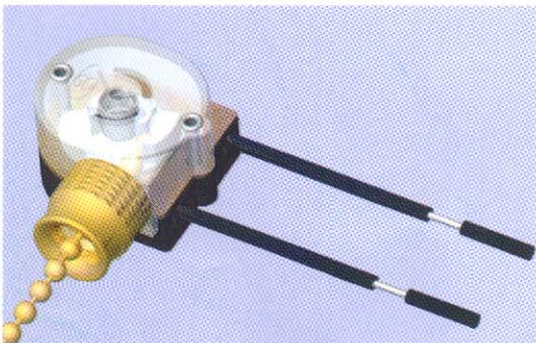
Standard leads - 6" black AWM 1015 with tinned inners. Other lead lengths, lead colors, or special finishing requirements available. Minimum order quantity 5,000 for other than factory stock, packed 1,000 units per carton. Consult factory for additional information.

301B



*Temperature Rating 80°C. Standard leads - 6" black AWM 1015 with inners. Other leads lengths, Lead colors, or special finishing requirements available. Other nipple lengths available. Minimum order quantity 5,000 for other than factory stock. Consult factory for additional information. *All pull-chain switches can be sold without pull cord, please specify.

301C



Pull-chain switches with additional ratings available are:

Cat No.	Inventory No.	Nipple Length(x)	Ratings	Certification
301A	301A-1	9/32"plastic	3A-250VAC 6A-125VAC 3A-125VL	
	301A-2	27/64"plastic		
	301A-3	9/16"plastic		
	301A-4	27/64"zinc		
301B	301B-1	9/32"plastic		
301C	301C-1	9/32"plastic		

WIN-KARE TECHNOLOGY CO., LTD

Tel: +86-755-25003073; Fax: +86-755-25003079

Mail: marketing@win-kare.com; Web: Http://www.win-kare.com