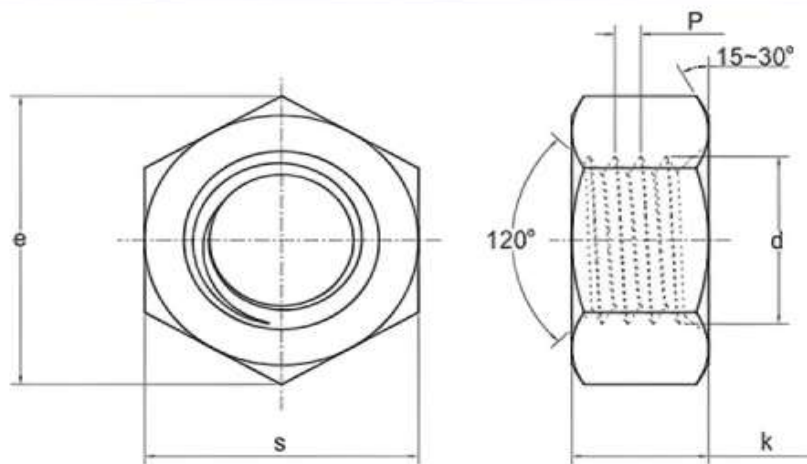


Component specifications: Thread inner diameter (e.g., M6) requires matching 6mm (diameter 6) washers and M6 screws.



Nominal diameter	pitch	m		s	
d	p	max	minute	max	minute
M1	0.25	1.2	1.1	2.5	2.4
M1.2	0.25	1.2	1.1	2.5	2.4
M1.4	0.3	1.2	1.1	2.6	2.5
M1.6	0.35	1.3	1.15	3.2	3.02
M1.7	0.35	1.4	1.15	3.5	3.38
M2	0.4	1.6	1.35	4	3.82
M2.3	0.45	1.8	1.55	4.5	4.32
M2.5	0.45	2	1.75	5	4.82
M2.6	0.45	2	1.75	5	4.82
M3	0.5	2.4	2.15	5.5	5.32
M3.5	0.6	2.8	2.55	6	5.82
M4	0.7	3.2	2.9	7	6.78
M5	0.8	4	3.7	8	7.78
M6	1	5	4.7	10	9.78
M7	1	5.5	5.2	11	10.73
M8	1.25	6.5	6.14	13	12.73
M10	1.5	8	7.64	17	16.73
M12	1.75	10	9.64	19	18.67
M14	2	11	10.3	22	21.67
M16	2	13	12.3	24	23.67
M18	2.5	15	14.3	27	26.16
M20	2.5	16	14.9	30	29.16
M22	2.5	18	16.9	32	31

M24	3	19	17.7	36	35
M27	3	22	20.7	41	40
M30	3.5	24	22.7	46	45
M33	3.5	26	24.7	50	49
M36	4	29	27.4	55	53.8
<small>Note: The size information is based on single-batch measurements and may contain some errors. Those who are concerned should proceed with caution.</small>				unit: mm	