

NL7-63 Series DC Miniature Circuit Breaker

Rev.:A/0

Date: 2012/07/12

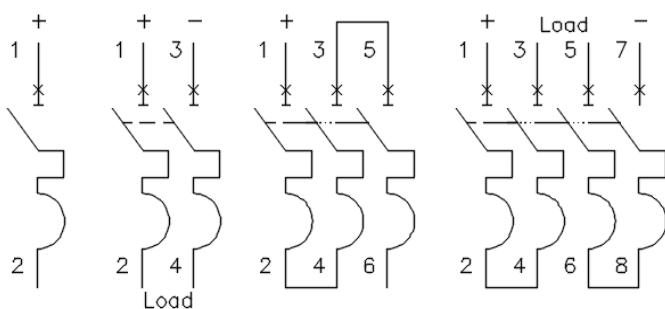
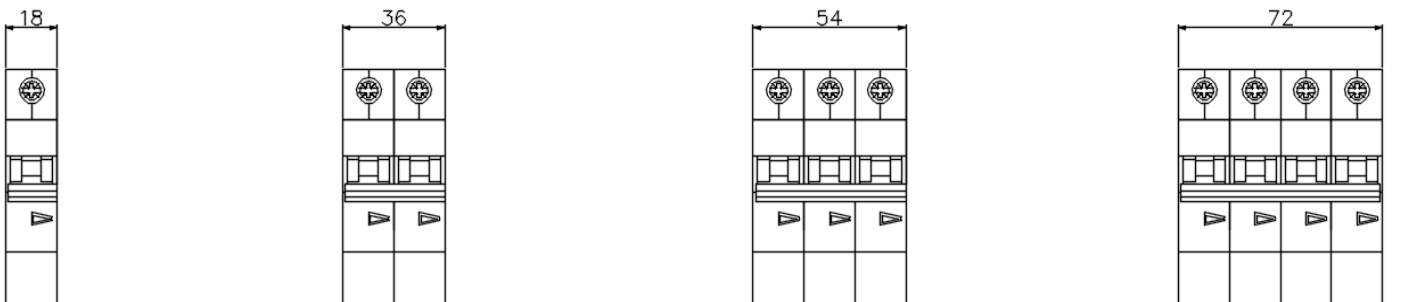
Application

NL7-63 PV NP DC breaker supplementary protectors are designed to provide overcurrent protection within appliances or electrical equipment, where a branch circuit protection is already provided or not required. Devices are designed for direct current (DC) control circuit applications.

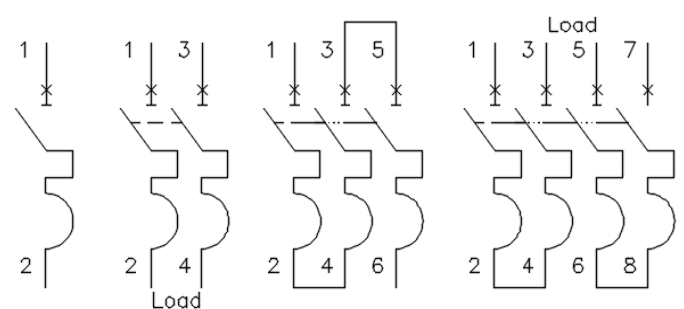


Specifications:

NL7-63 PV Series Circuit Breaker	NL7-63
Number of Poles	1P, 2P, 3P, 4P
Framedegree rated current (A)	63
Ue Rated operating voltage (V DC)	DC12V,DC24V,DC48V,DC80V,DC125V, DC250V,DC500V,600V,DC750V, DC800V,DC1000V,DC1200V
Rated Current In (A)	6-10-16-20-25-32-40-50-63
Ated Impact voltage Uimp (kV)	4
Ultimate breaking capacity Icu (kA)	6
Run breaking capacity Ics (%Icu)	75%
Curve type	B,C,D



Polar circuit breaker



Non polar circuit breaker