



IEC C14

AC INLET ST-A01 SERIES



- Rating 15A 250VAC(UL, cUL)
10A 250VAC(CCC, VDE, SEMKO, NEMKO, FIMKO, DEMKO, SAA, EK)
- Standards:UL498, IEC60320, GB17465
- Initial contact resistance:20mΩ max.
- Insulation resistance:100MΩ (min)for DC 500V
- Withstand voltage :
1,500VAC for terminal to terminal 1 minute.
3,000VAC for terminal to body 1 minute.
- RoSH, HF (Free-halogen)
- Working temperature :≤105 ℃.
- Housing: PA66, PBT, PC.
- Terminals: Tin-plated brass.

Whole Series Order Number

ST-A01- [] [] + []

Base	
Code	Drawing
001L	
002L	
003K	
003J	
003JY	
003JB	

Terminal	
Code	Drawing
S	
S1	

Shield	
Code	Drawing
M04	
M10	
M12	


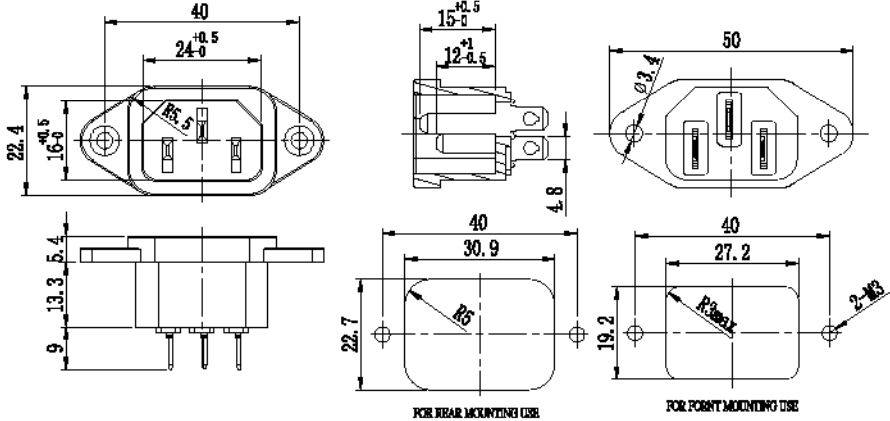
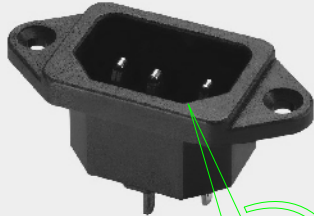
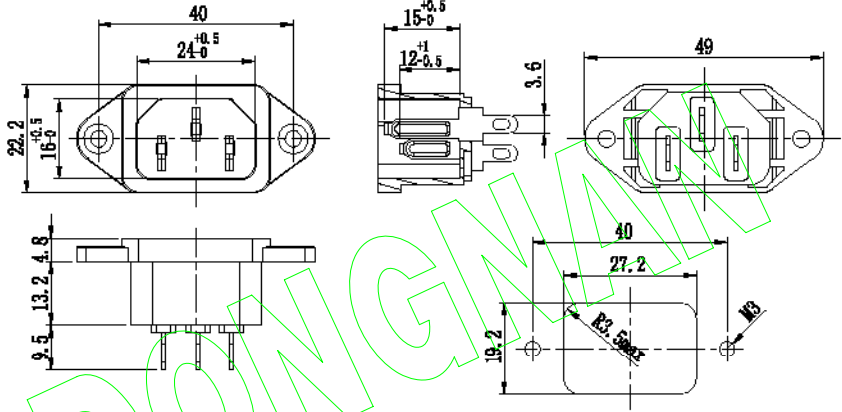
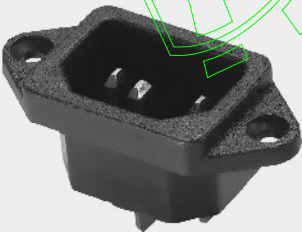
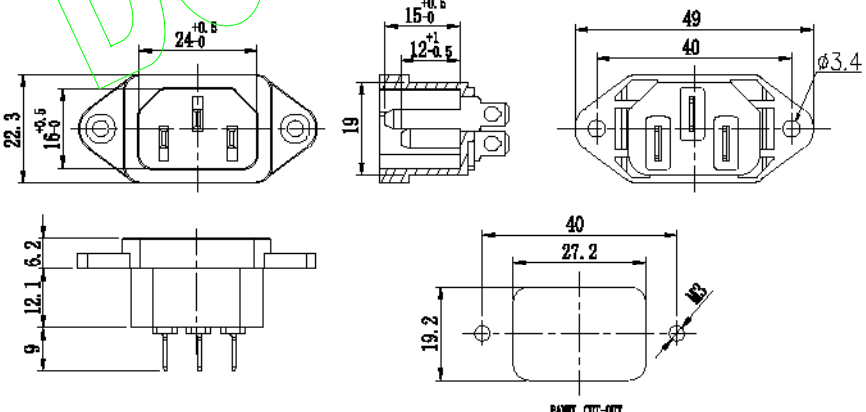

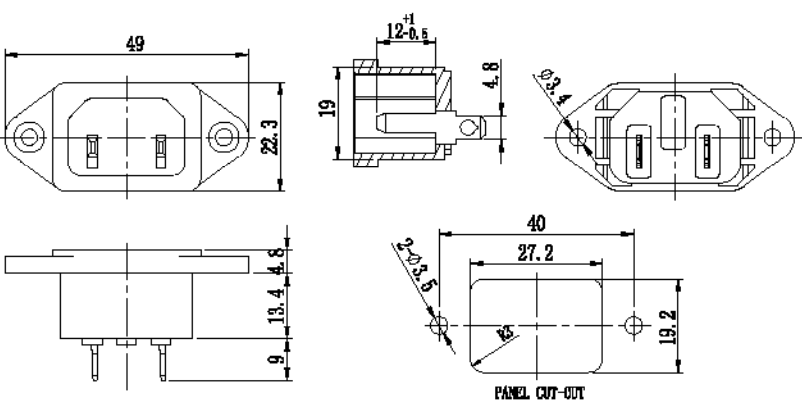
Remark: Gap t=0.8, 1.0, 1.5, 2.0, 3.0; "(0)" Means None
"(V)" Means is vertical hole



IEC C14

<p>ST-A01-002L</p>	
<p>ST-A01-002L+M04</p>	
<p>ST-A01-002L (50mm)</p>	
<p>ST-A01-002LB</p>	

IEC C14

<p>ST-A01-002L-LA</p> 	 <p>FOR REAR MOUNTING USE</p> <p>FOR FRONT MOUNTING USE</p>
<p>ST-A01-002LS1</p> 	
<p>ST-A01-002LH</p> 	 <p>PANEL CUT-OUT</p>
<p>ST-A01-002L2</p> 	 <p>PANEL CUT-OUT</p>