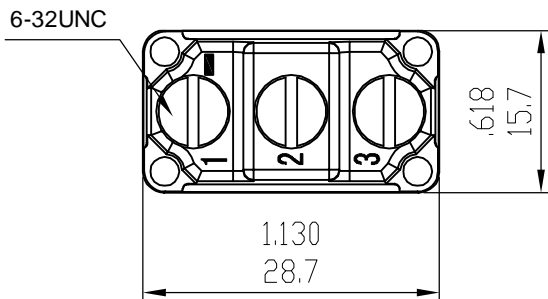
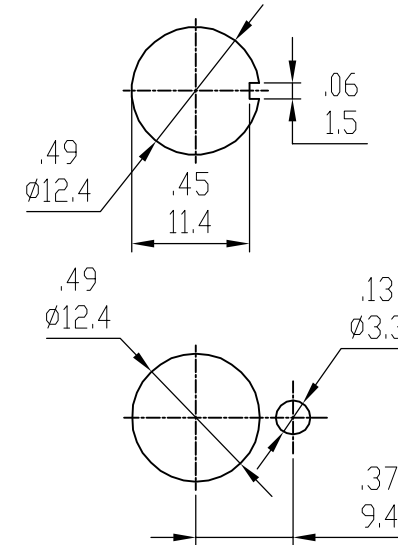


Notes:

- 1: 开关装配紧密, 动作明确;
- 2: 符合RoHS要求.

PANEL CUT-OUT



Model No.	Switching Position		
T6013	ON	None	ON
T6013A	ON	None	MOM
T6014	ON	OFF	ON
T6014A	MOM	OFF	MOM
T6014B	ON	OFF	MOM

Tolerance						Approved		Quantity	1
L<10	±0.2					Checked		Scale	1:1
10<L<30	±0.3	1	A0	New	魏建	13.3.2	Draw	Unit	mm
L>30	±0.5	NO.	Edition	Modified Contents	Name	Data	Design	Edition	A0

深圳易凯达科技有限公司
WIN-KARE TECHNOLOGY CO.,LTD.

PART NAME:
T6014-T1ES-15-H

DRAWING NO.

Material:
Finished: