

深圳市欣东汇科技有限公司 Shen Zhen Xin Dong Hui Technology Co.,Ltd

电机型号(Model):

DGA12-N20-AN

日期(Date):

额定电压 VDC
Rated Voltage

6

使用环境温度范围 °C
Operating Condition
Temperature Range

-20~+60

空载转速 rpm
Noload speed

102 ±10%

空载电流 mA
Free-load Current

≤45

负载转矩 Kgf·cm
Rated Torque

0.3

负载转速 rpm
Onload speed

80 ±10%

负载电流 mA
Roted Current

≤210

堵转电流 mA
Stall Current

≤720

堵转力矩 Kgf·cm
Stall Torque

≥1.2

旋向 CW/CCW
Direction

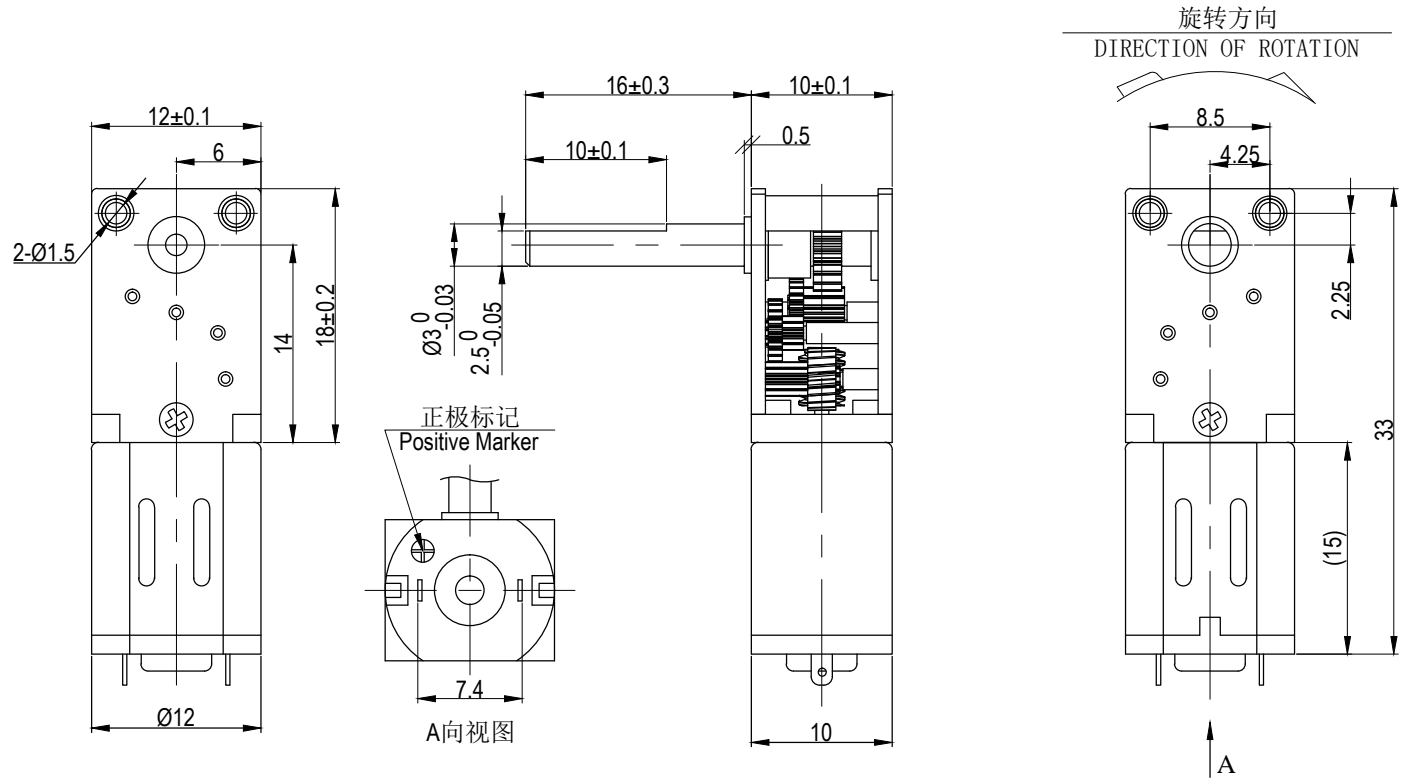
CW

噪音 dBA
Noise (L=100mm)

55 (Max)

轴向间隙 mm
Axial gap

0.02~0.3



欣东汇 XIN DONG HUI		外形图 outside drawing				客户确认 Confirmation Approved	
制订: Formulate	张湘铖	Unit	mm	Size	A4		
审核: Audit		version	A0	Scale	2:1		
批准: Approved		Phase marker		S			
				Page			