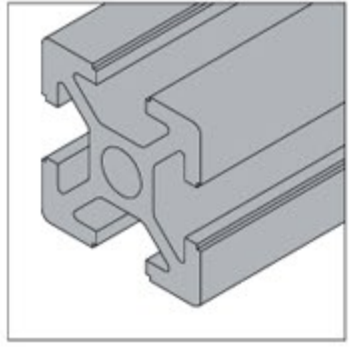
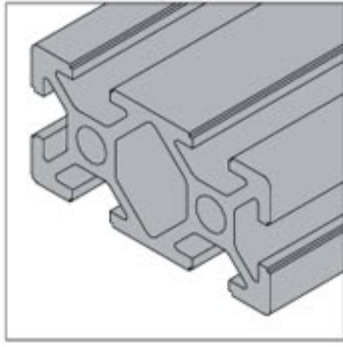


<b>M</b> material	<b>S</b> surface	Code
6005-T5	Oxygenated	PGS20

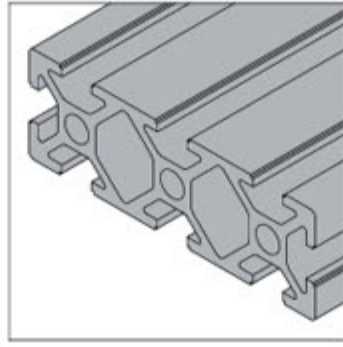
2020 4groove



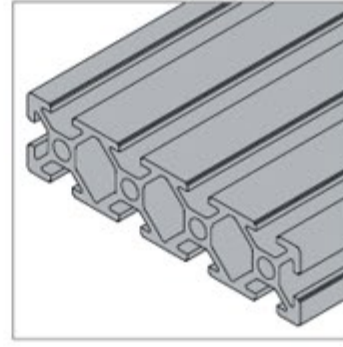
2040 6groove



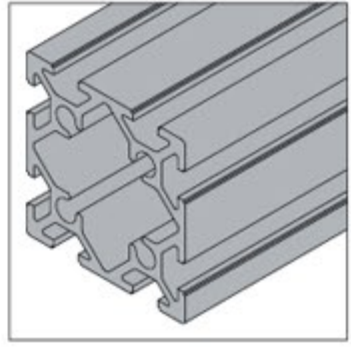
2060 8groove



2080 10 groove

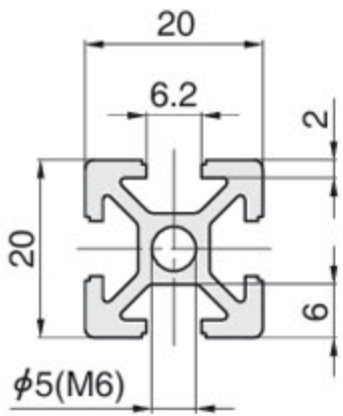


4040 8 groove

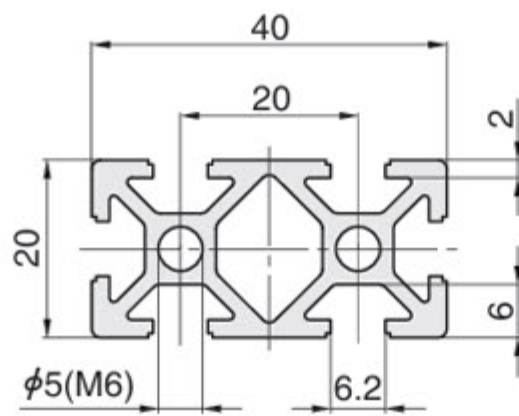


- ❶ strut profile 20 series ,Thegroove width is 6mm mainly applied to light-load structures such as precision instrument frames and display boxes.
- ❷ Recommended connectors: die-cast Angle aluminum,Angle aluminum bracket, right-angle connectors in grooves, straight-line connectors in grooves

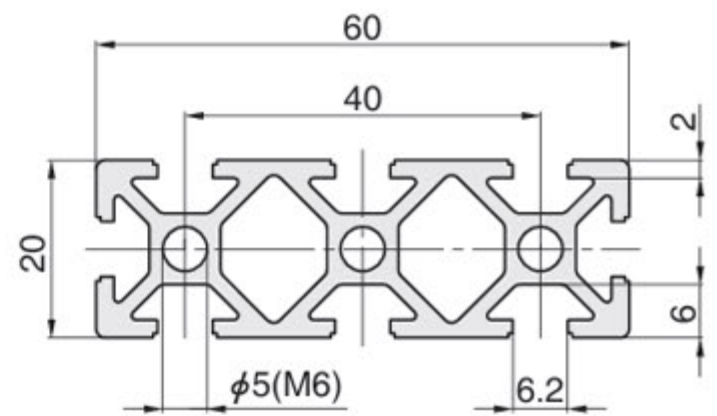
PGS20-2020 (4groove)



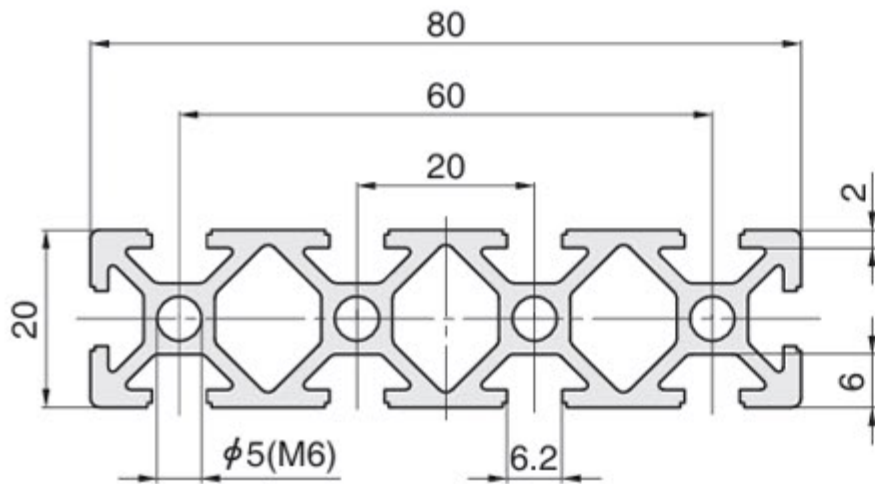
PGS20-2040 (6groove)



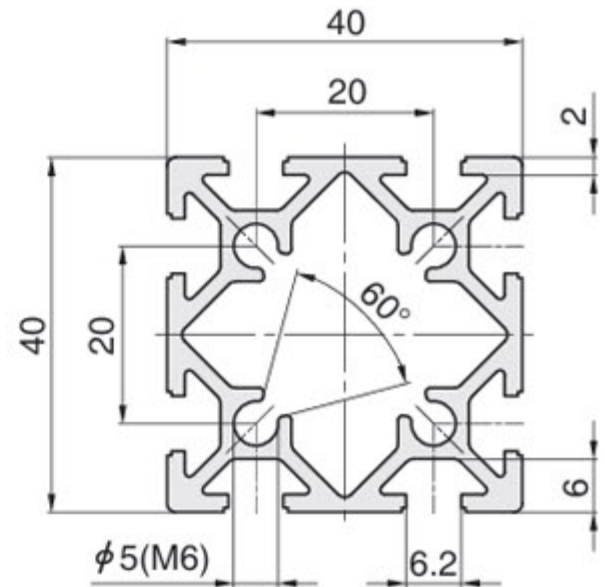
PGS20-2060 (8groove)



PGS20-2080 (10groove)



PGS20-4040 (8groove)



Code No.		L	weight (kg/m)	intertia moment (mm <sup>4</sup> )		bendingmoment (mm <sup>3</sup> )	
Code	No.			I <sub>x</sub>	I <sub>y</sub>	W <sub>x</sub>	W <sub>y</sub>
PGS20	2020	10.0~5800.0	0.5	0.8×10 <sup>4</sup>	0.8×10 <sup>4</sup>	0.8×10 <sup>3</sup>	0.8×10 <sup>3</sup>
	2040		0.9	1.4×10 <sup>4</sup>	5.1×10 <sup>4</sup>	1.4×10 <sup>3</sup>	2.5×10 <sup>3</sup>
	2060		1.3	2.0×10 <sup>4</sup>	15.8×10 <sup>4</sup>	2.0×10 <sup>3</sup>	5.3×10 <sup>3</sup>
	2080		1.7	2.6×10 <sup>4</sup>	35.9×10 <sup>4</sup>	2.6×10 <sup>3</sup>	9.0×10 <sup>3</sup>
	4040		1.3	8.9×10 <sup>4</sup>	8.9×10 <sup>4</sup>	4.5×10 <sup>3</sup>	4.5×10 <sup>3</sup>

	Code No.	L
<b>ORDE</b>	PGS20-2020	- L300.0

		Code No.	L	(LSP•LCH•LCT...etc.)
<b>ADDITION</b>	<b>ORDER</b>	PGS20-2020	- L260.0	- LSP