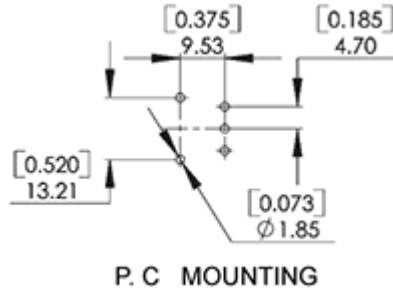
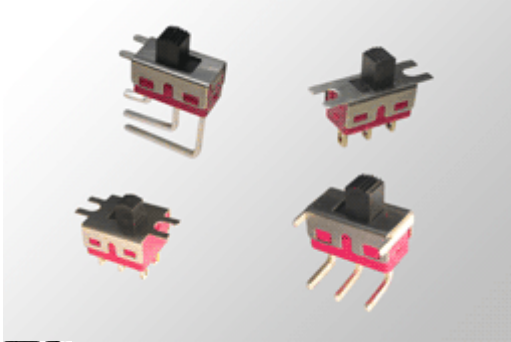


# SL19

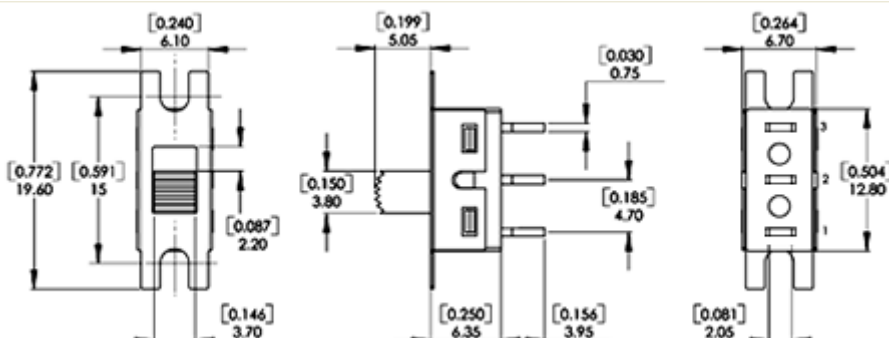
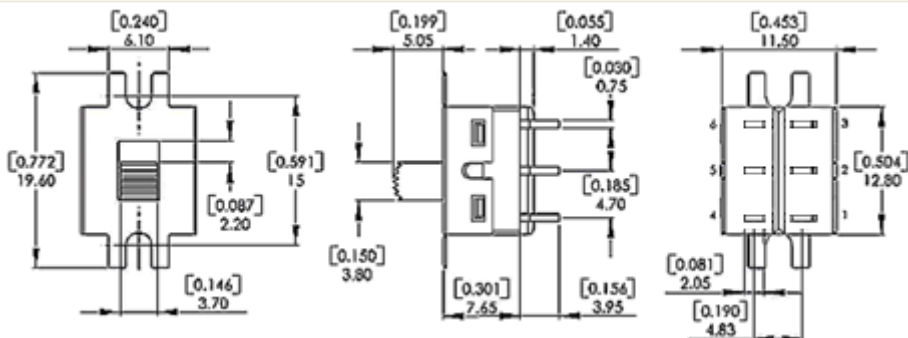
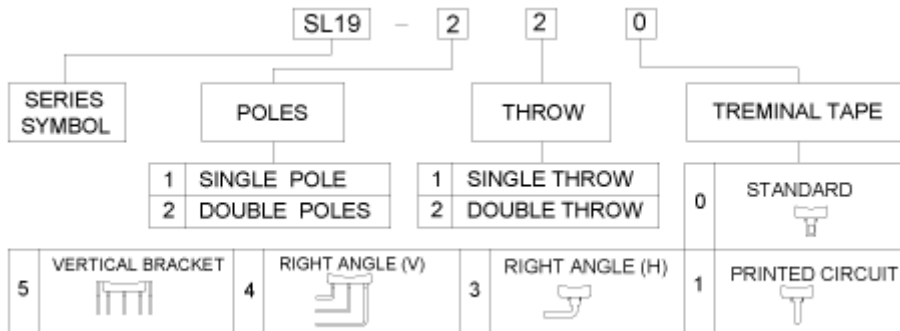
## MINI SLIDE SWITCHES UP TO 6A 120VAC

instrumental usages, panel mounting, PCB, solder lug



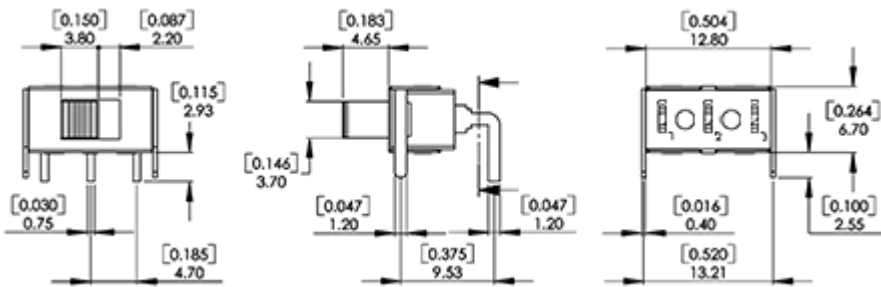
- 6A 120VAC, 3A 250VAC (UL)
- 6A 28VDC (UL)
- Initial contact resistance : 10m ohm (max.)
- Insulation resistance : 500VDC 100M ohm (min)
- Dielectric strength : 1,000VAC for 1 minute
- Life cycle : 30,000 cycles
- Temperature range : -20 to + 85 degrees in Celsius
- Case : Diallyl phthalate (DAP).
- Housing : Stainless steel.
- Slide handle : Nylon66
- Contact : Silver plated copper
- gold plated optional
- Terminals : Silver plated copper or brass
- gold plated optional

### How to order





SL19-123



SL19-124

