

# 4K HD Communication Camera CE4K512

## Ultra HD, High-Performance 4K 12X Zoom at 4KP60



### Product Overview

This is a UHD 4K conference camera designed for use in corporate, education, and remote healthcare applications. It features multiple optical zoom options and 4K resolution, along with superior color reproduction. The camera is capable of capturing immersive live images that leave a lasting impression. It can be used in corporate meeting rooms, classrooms, training centers, and medical facilities to capture high-quality, colorful video images.

Equipped with advanced control algorithms, this camera allows for precise, smooth, and quiet PTZ (pan-tilt-zoom) control. The wide-angle lens ensures comprehensive coverage of the room during video conferences, effortlessly capturing everyone present. With 255 preset positions, it can quickly and easily reproduce clear images without causing any disruptions to speakers or viewers.

For convenient control and viewing, the camera can automatically receive VISCA commands and PELCO-P/D protocol commands.

### Product Highlights

#### - Accurate, smooth, and quiet PTZ control with precise control algorithms

The camera utilizes advanced control algorithms and precision motor drivers, resulting in quiet, smooth, and stable movements. It can accurately and quickly move to the desired positions and perform wide-angle shots.

#### - True 4K Ultra HD image quality

The camera features a high-quality "Exmor R" CMOS sensor with a 1/1.8-inch size and 8.51 million effective pixels, enabling superior image quality at a resolution of 3840×2160P60. It ensures both high-definition clarity and smooth motion.

#### - Low noise and high SNR

The camera incorporates 2D and motion estimation-based 3D noise reduction algorithms, along with a next-generation low-noise sensor, effectively reducing noise levels.

#### - Support for various optical lenses

The camera supports multiple optical lens options, including a 12x optical zoom lens with a wide 82.5-degree horizontal field of view and 16x digital zoom capability.

#### ● - 4KP60 high-definition HDMI video output

Supports 4KP60/59.94/50/30/29.97/25, 1080P60/59.94/50/30/29.97/25, 720P60/59.94/50 and other video formats.

#### ● 1080P60 high-definition 3GSDI video output

Supports 1080P60/59.94/50/30/29.97/25, 720P60/59.94/50 and other video formats.

- **4KP60 high-definition network video output**

Supports 4KP60/59.94/50/30/29.97/25, 1080P60/59.94/50/30/29.97/25, 720P60/59.94/50 and other high-definition video formats.

- **4KP60 ultra-high-definition USB3.0 video output**

Supports 4KP60/59.94/50/30/29.97/25, 1080P60/59.94/50/30/29.97/25, 720P60/59.94/50/25 and other video formats.

- **255 preset positions**

The camera allows for the pre-setting of 255 positions, including pan, tilt, and zoom parameters. Even if the camera is powered off, the preset data can be saved.

- **Multi-functional remote control**

The camera comes with a user-friendly remote control that allows for basic settings, as well as control over pan, tilt, zoom, and other parameters.

- **OSD menu with both Chinese and English language options**

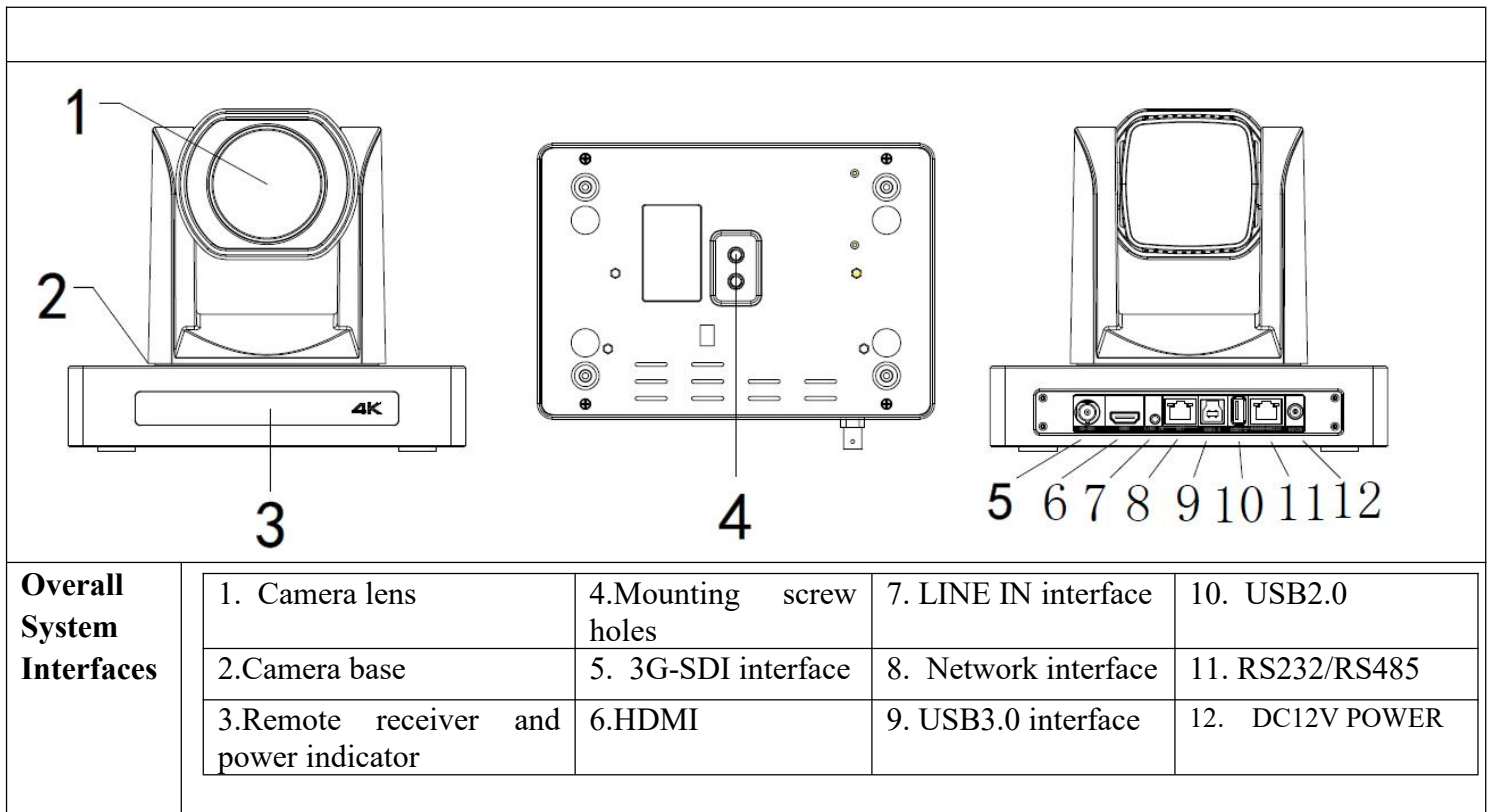
The camera features a comprehensive OSD menu that can be controlled via the remote control, with support for both Chinese and English languages.

### Application Scenarios

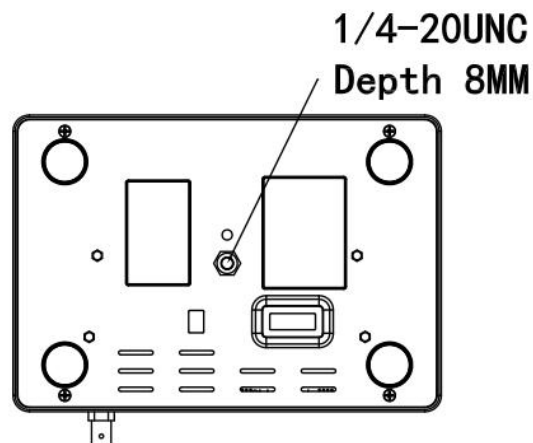
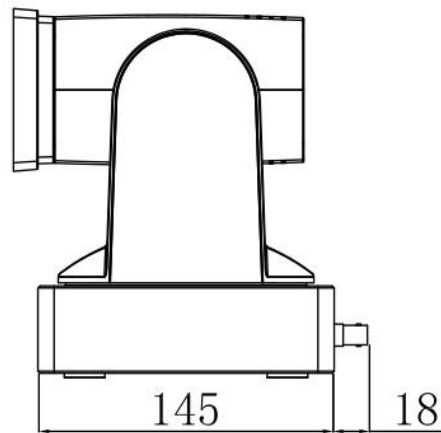
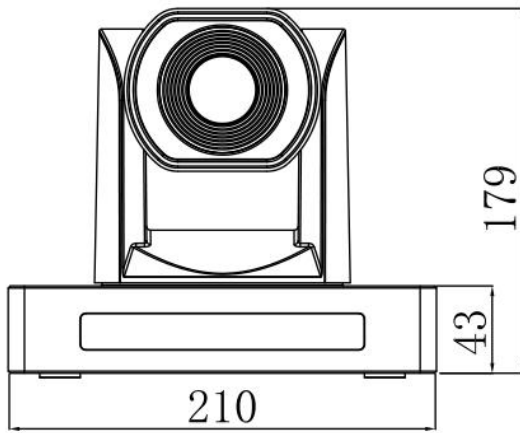
Conference systems, remote healthcare, remote education, etc.

### Camera Interface Functions

- HDMI2.0 video output
- 3G-SDI video output
- USB3.0 video output
- Network video output



### Installation Dimension Diagram



## Product Parameters

Camera	
Signal System	3840×2160P60/59.94/50/30/29.97/25,1080P60/59.94/50/30/29.97/25, 720P60/59.94/50
Sensor	1/1.8-inch high-quality CMOS sensor, 8.51 million pixels
Scanning Mode	Progressive
Minimum Illumination	Supports ultra-low illumination: 0.1Lux@F1.8 (color)
Shutter	1/30s ~ 1/10000s
White Balance	Indoor/Outdoor/Auto/Manual
BLC	Supports
DNR	2D&3D DNR
SNR	≥52dB
Optical Zoom	12X
Digital Zoom	16x
Horizontal field of view	H:82.5° ~ 7.8° V: 49.6° ~ 4.4° D: 89.5° ~ 9°
Focal Length	F1.6 ~ F3.5, f=3.4~40mm;
Horizontal rotation range	±170°
Vertical rotation range	-30° ~ +90°
Horizontal rotation speed range	1 °/s ~ 100 °/s
Vertical rotation speed range	1 °/s ~ 60 °/s
Horizontal and vertical flip	Supports

Number of preset positions	255	
Preset position accuracy	±0.1°	
<b>USB interface</b>		
Video compression	YUV/H.264/ MJPEG	
Resolution and frame rate	H.264:( 3840X2160,1920×1080,1280×720,800*600,640*480,704*576,320*240) 25/30fps MJPEG:(3840X2160,1920×1080,1280×720,800*600,640*480,704*576,320*240) 25/30fps YUV: (1920×1080,1280×720) 25/30fps	
Protocol	UVC1.1 UAC1.0	
Control	Supports zoom, PTZ control, adjustable brightness, contrast, hue, saturation, sharpness, exposure, focus, and parameters	
USB upgrade	Supports USB upgrade	
<b>Input/Output Interfaces</b>		
HD video interfaces	HDMI2.0	Supports up to 4KP60
	3G-SDI	Supports up to 1080P60
	USB3.0	Supports USB 3.0 video output, up to 4KP60
	Network Port	Encoding : H.265/H.264/MJPEG , Network protocols: IPv4, TCP, UDP, HTTP,NTP,DNS, DHCP,ARP, RTSP, RTP,RTCP, RTMP, NDI (optional) ,ONVIF,VISCA OVER IP,
Communication Interfaces	1*, RS-232 IN, Maximum distance: 30 meters, VISCA/Pelco-D/Pelco-P protocols 1*, RS-422, Maximum distance: 1200 meters, VISCA/Pelco-D/Pelco-P protocols	
Audio Interfaces	LINE IN x1	
Power Interface	JEITA Type (DC IN 12V) HEC3800	
<b>General Specifications</b>		
Input Voltage	AC110V-AC220V to DC12V/3A	
Input Current	DC12V(DC11.5 - DC12.5V)	
Operating Temperature	0°C to +45°C	
Storage Temperature	-10°C to +60°C	
Power Consumption	24W(maximum)	
Dimensions	Refer to the "Installation Dimensions" diagram	
Weight (Net Weight)	4KG(3KG)	