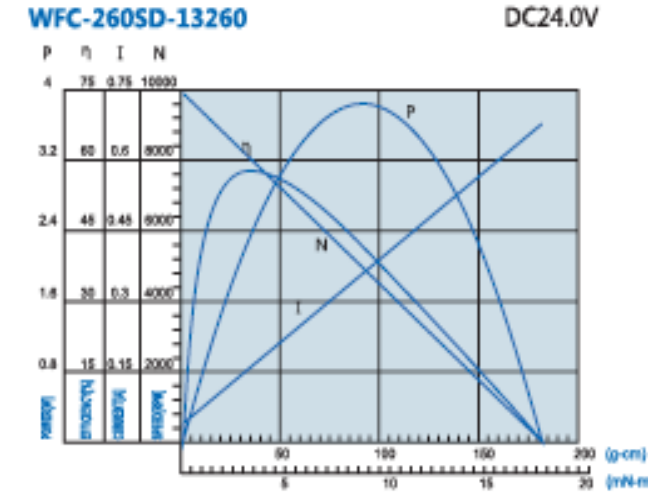
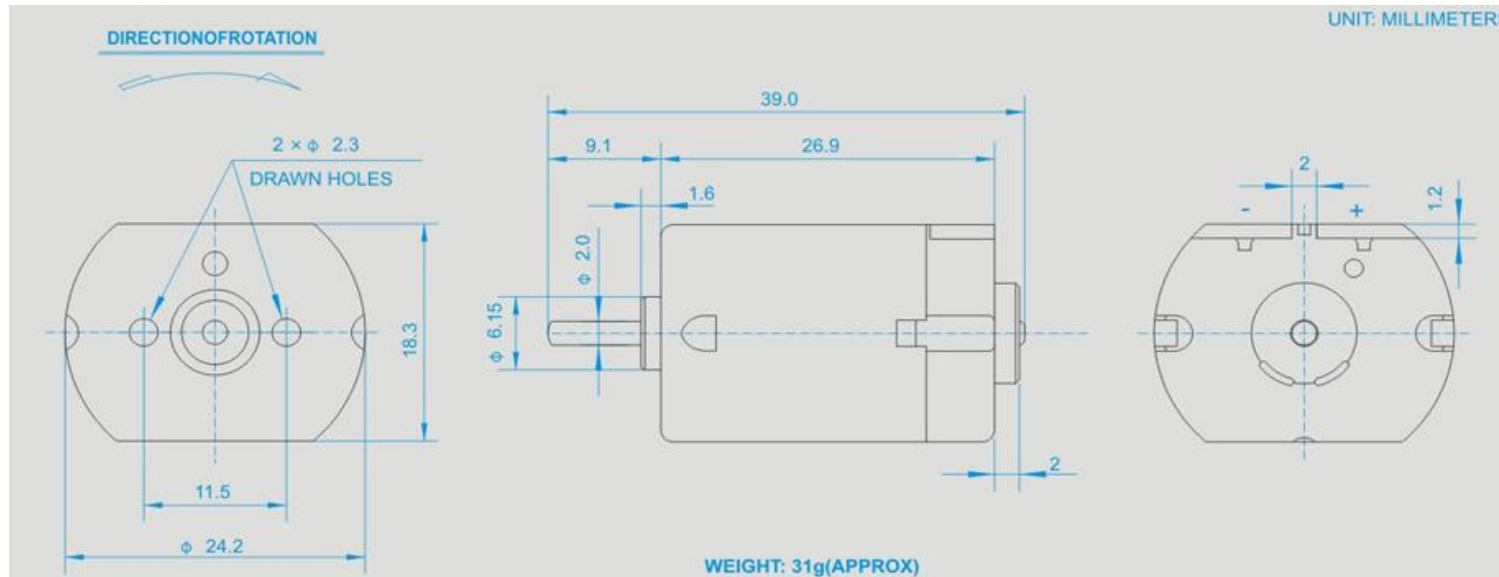


Model no.: WFC-260SD



Nominal voltage: DC24V  
 Operating range: DC12V-30V  
 No load current: 0.035A  
 No load speed: 8870rpm  
 Current with load: 0.160A  
 Speed with load: 7250rpm  
 Max efficient power: 2.28W  
 Max efficiency: 50%  
 Starting torque: 15.8mN.m  
 Starting current: 0.71A  
 Output: approx. 0.3W-18W

## Dimensions



Main applications:

1. Automotive system:  
Automatic door lock;  
rearview mirror retraction.