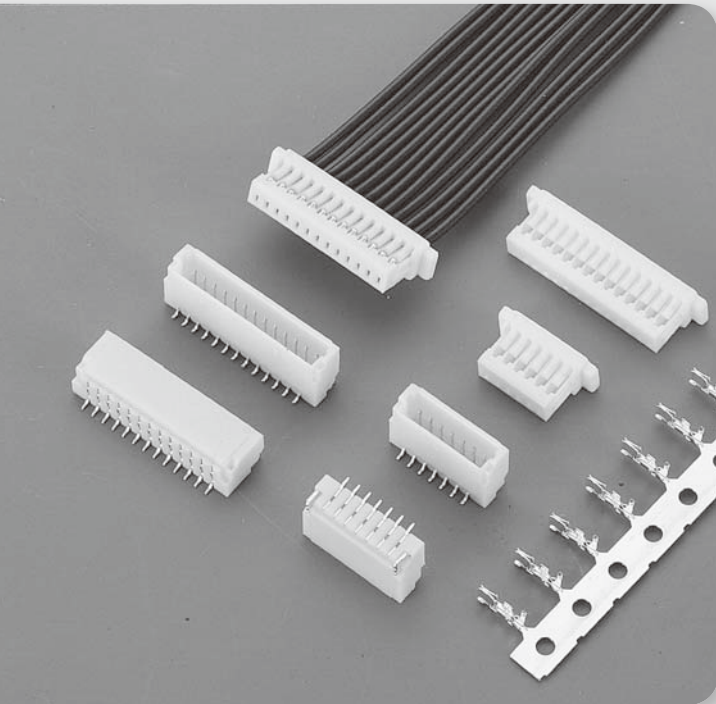


1.00mm (.039") Crimp Style Connectors<SMT>



Specifications

- Voltage Rating : 50V AC/DC
- Current Rating : 1A AC/DC
- Withstanding Voltage : 500V AC/minute
- Insulation Resistance : 100M Ω min.
- Temperature Range : -25°C to + 85°C
- Contact Resistance : 20m Ω max.

Features:

■ HOUSING

Part No. : JS-1253

Poles : 2 - 22

Material : Nylon 66 UL94V-0

Q'ty : 1,000 pcs/Bag

■ WAFER

Part No. : JS-1254 (Straight)

JS-1254R (Right Angle)

Poles : 2 - 22

Material : Contact : Phos. Bronze

Finish : Tin Plated or Gold Plated

Base : Nylon PA9T UL94V-0

Q'ty : 1,000 pcs/Tape & Reel

■ TERMINAL

Part No. : JS-1253-T, JS-1253-TG

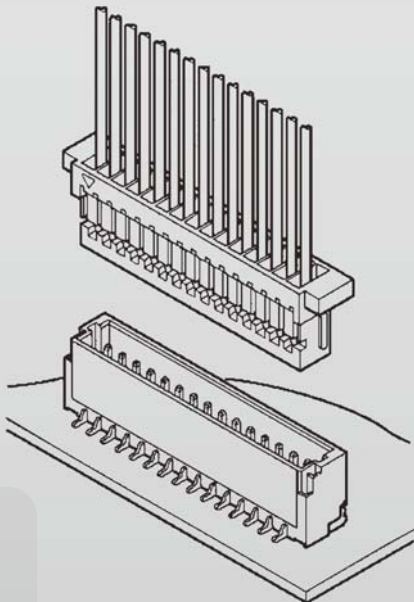
Applicable Wires : AWG# 28-32

Material : Phos. Bronze

Finish : Tin Plated, Gold Plated

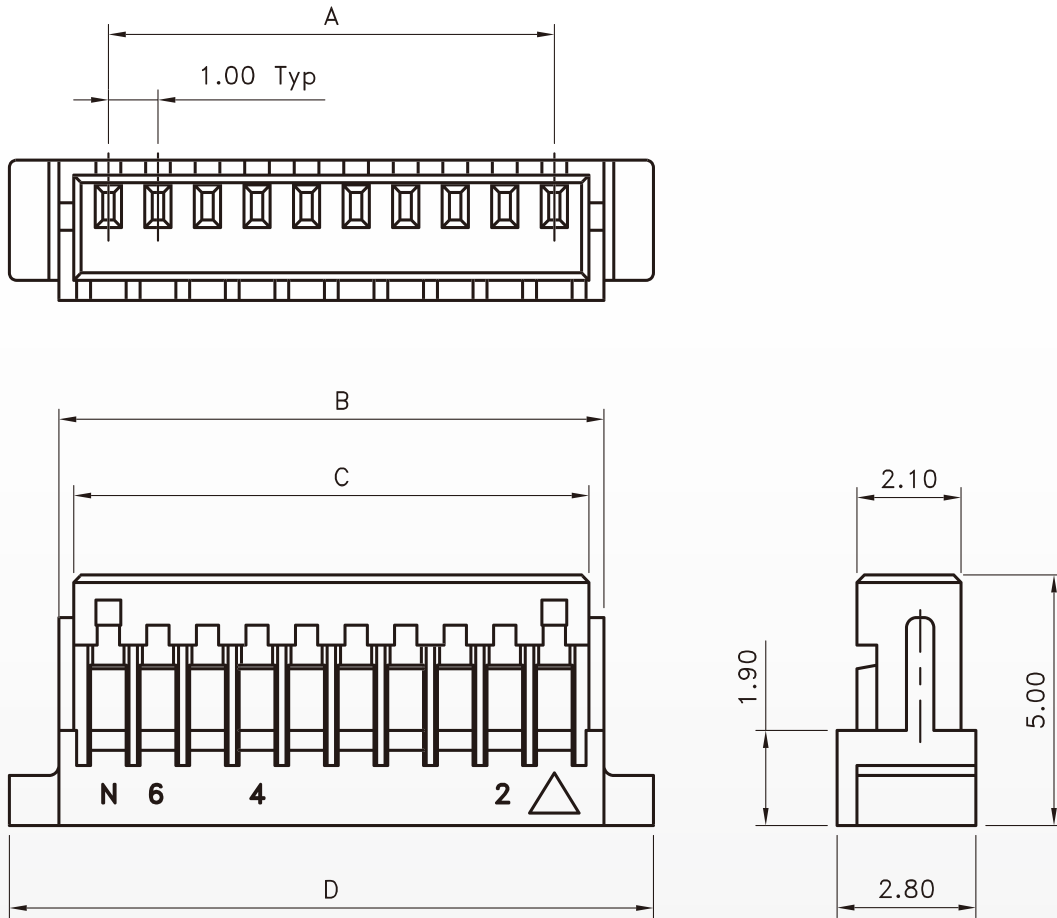
Thickness : 0.12mm

Q'ty : 20,000 pcs/Reel



1.00mm (.039") Crimp Style Connectors<SMT>

Housing JS-1253

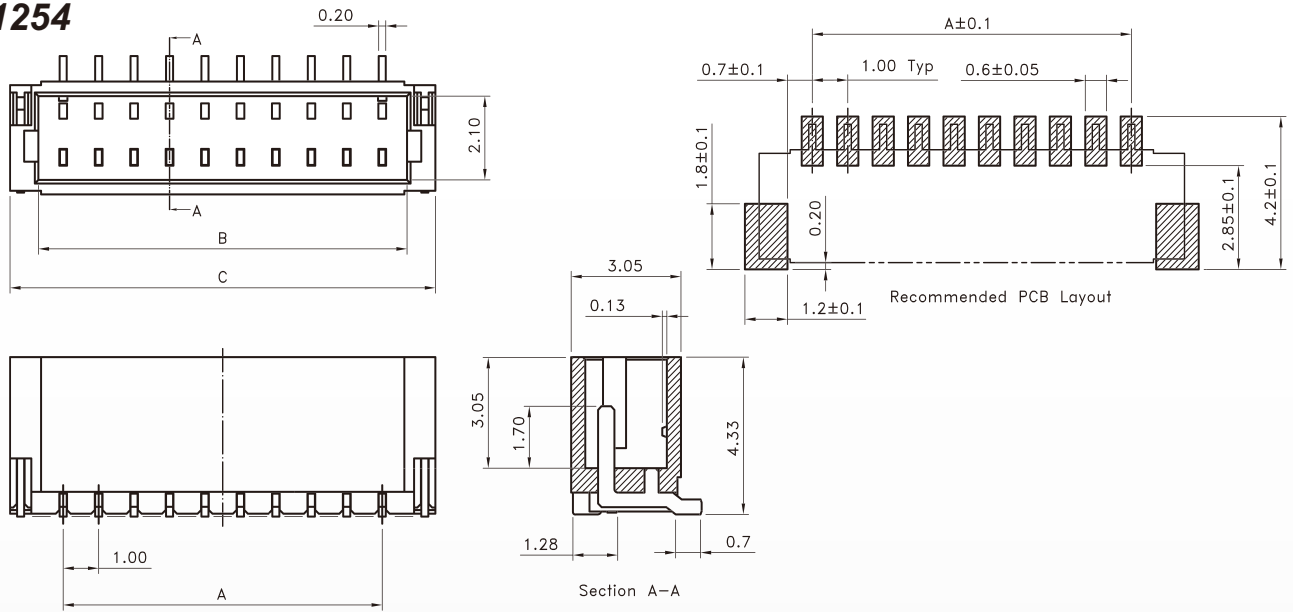


Poles	Part No.	Dimensions (mm)			
		A	B	C	D
2	JS-1253-02	1.00	3.00	2.40	5.00
3	JS-1253-03	2.00	4.00	3.40	6.00
4	JS-1253-04	3.00	5.00	4.40	7.00
5	JS-1253-05	4.00	6.00	5.40	8.00
6	JS-1253-06	5.00	7.00	6.40	9.00
7	JS-1253-07	6.00	8.00	7.40	10.00
8	JS-1253-08	7.00	9.00	8.40	11.00
9	JS-1253-09	8.00	10.00	9.40	12.00
10	JS-1253-10	9.00	11.00	10.40	13.00
11	JS-1253-11	10.00	12.00	11.40	14.00
12	JS-1253-12	11.00	13.00	12.40	15.00
13	JS-1253-13	12.00	14.00	13.40	16.00
14	JS-1253-14	13.00	15.00	14.40	17.00
15	JS-1253-15	14.00	16.00	15.40	18.00
16	JS-1253-16	15.00	17.00	16.40	19.00
17	JS-1253-17	16.00	18.00	17.40	20.00
18	JS-1253-18	17.00	19.00	18.40	21.00
19	JS-1253-19	18.00	20.00	19.40	22.00
20	JS-1253-20	19.00	21.00	20.40	23.00
21	JS-1253-21	20.00	22.00	21.40	24.00
22	JS-1253-22	21.00	23.00	22.40	25.00

1.00mm (.039") Crimp Style Connectors<SMT>

Wafer - Straight

JS-1254

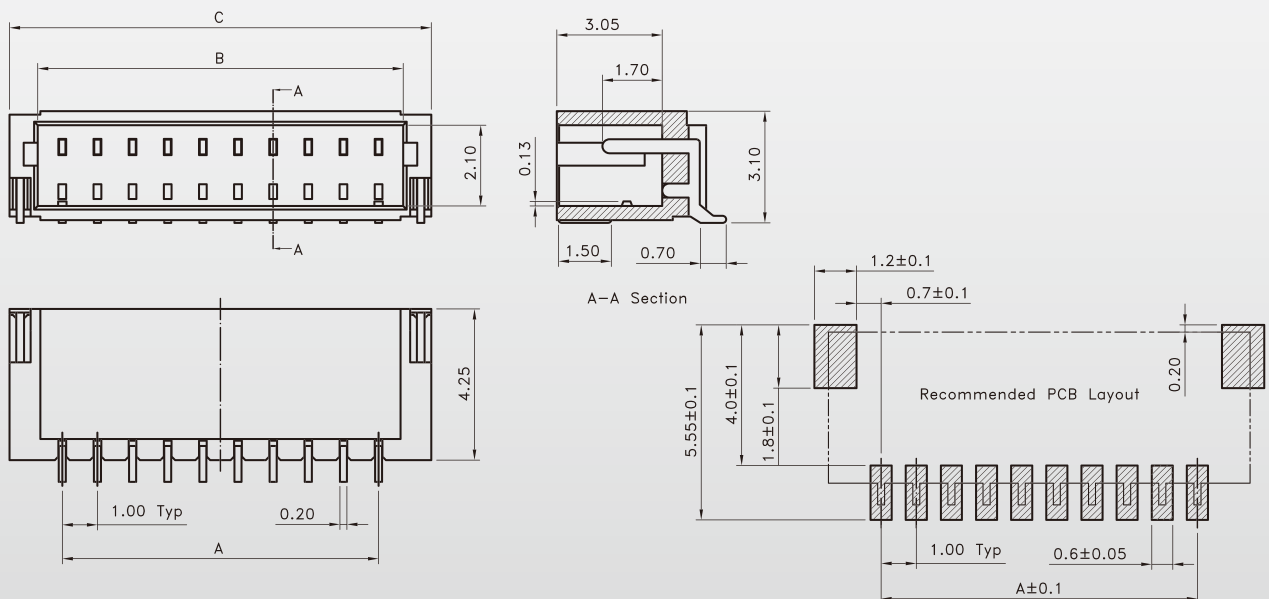


Poles	Part No.	Dimensions (mm)		
		A	B	C
2	JS-1254-02	1.00	2.40	4.00
3	JS-1254-03	2.00	3.40	5.00
4	JS-1254-04	3.00	4.40	6.00
5	JS-1254-05	4.00	5.40	7.00
6	JS-1254-06	5.00	6.40	8.00
7	JS-1254-07	6.00	7.40	9.00
8	JS-1254-08	7.00	8.40	10.00
9	JS-1254-09	8.00	9.40	11.00
10	JS-1254-10	9.00	10.40	12.00
11	JS-1254-11	10.00	11.40	13.00
12	JS-1254-12	11.00	12.40	14.00

Poles	Part No.	Dimensions (mm)		
		A	B	C
13	JS-1254-13	12.00	13.40	15.00
14	JS-1254-14	13.00	14.40	16.00
15	JS-1254-15	14.00	15.40	17.00
16	JS-1254-16	15.00	16.40	18.00
17	JS-1254-17	16.00	17.40	19.00
18	JS-1254-18	17.00	18.40	20.00
19	JS-1254-19	18.00	19.40	21.00
20	JS-1254-20	19.00	20.40	22.00
21	JS-1254-21	20.00	21.40	23.00
22	JS-1254-22	21.00	22.40	24.00

Wafer - Right Angle

JS-1254R



1.00mm (.039") Crimp Style Connectors<SMT>

Poles	Part No.	Dimensions (mm)		
		A	B	C
2	JS-1254R-02	1.00	2.40	4.00
3	JS-1254R-03	2.00	3.40	5.00
4	JS-1254R-04	3.00	4.40	6.00
5	JS-1254R-05	4.00	5.40	7.00
6	JS-1254R-06	5.00	6.40	8.00
7	JS-1254R-07	6.00	7.40	9.00
8	JS-1254R-08	7.00	8.40	10.00
9	JS-1254R-09	8.00	9.40	11.00
10	JS-1254R-10	9.00	10.40	12.00
11	JS-1254R-11	10.00	11.40	13.00
12	JS-1254R-12	11.00	12.40	14.00

Poles	Part No.	Dimensions (mm)		
		A	B	C
13	JS-1254R-13	12.00	13.40	15.00
14	JS-1254R-14	13.00	14.40	16.00
15	JS-1254R-15	14.00	15.40	17.00
16	JS-1254R-16	15.00	16.40	18.00
17	JS-1254R-17	16.00	17.40	19.00
18	JS-1254R-18	17.00	18.40	20.00
19	JS-1254R-19	18.00	19.40	21.00
20	JS-1254R-20	19.00	20.40	22.00
21	JS-1254R-21	20.00	21.40	23.00
22	JS-1254R-22	21.00	22.40	24.00

Terminal JS-1253-T / TG

