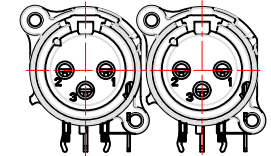
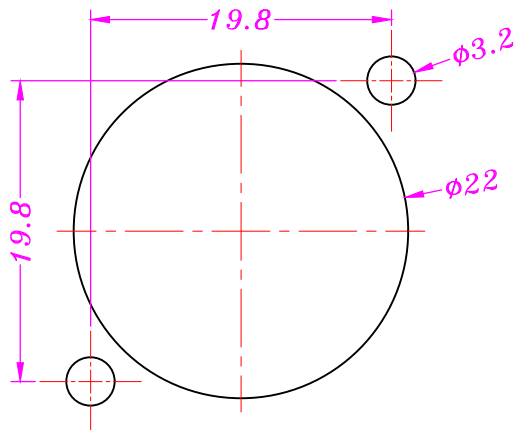


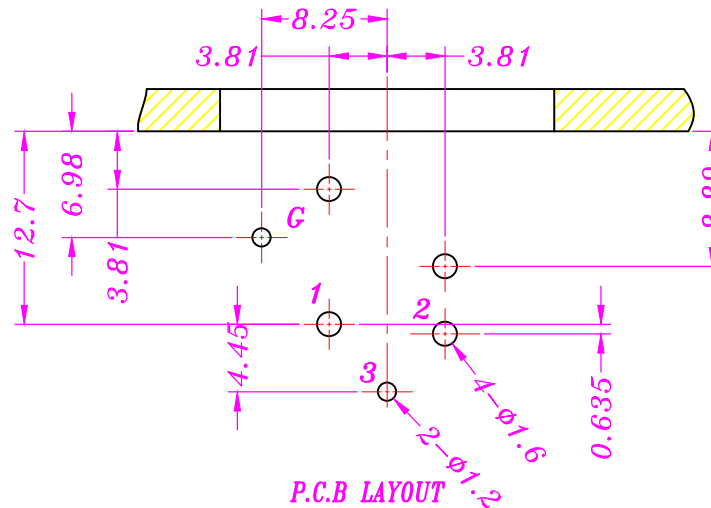
min assembling distance



1:1

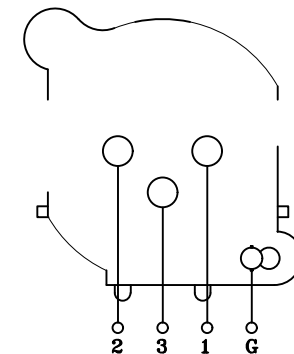


PANEL CUTOUT DETAIL



P.C.B LAYOUT

SCHEMATIC LAYOUT



					TOLERANCE								
					UNLESS SPECIFIED								
6	G CONTACT PIECES	PBS	1	Ag PLATED	UP TO 5mm:±0.1	ANGULAR	1						
5	XLR-328 SPRING	MN	1	NaOH PROCESS	ABOVE 5mm:±0.2	±1°	NO	DATE	REVISIONS		BY	APPD	
4	XLR-328 3#CONTACT PIECES	PBS	1	Au PLATED	TITLE: XLR CONNECTOR, femail		UNIT : MM		ROHS	DWN			
3	XLR-328 2#CONTACT PIECES	PBS	1	Au PLATED	MODEL:XLR-328-2		SCALE: 2:1		COMPLIANT	CHK'D			
2	XLR-328 1# CONTACT PIECES	PBS	1	Au PLATED	 <b>HAOYU(HONGKONG)LIMITED</b> 皓宇(香港)有限公司					APPD			
1	XLR-328 CASE	PBT	1	BLACK						PRO.AGL:	 	REV : A	
NO.	PART NAME	MATERIAL	QTY	FINISHING									