

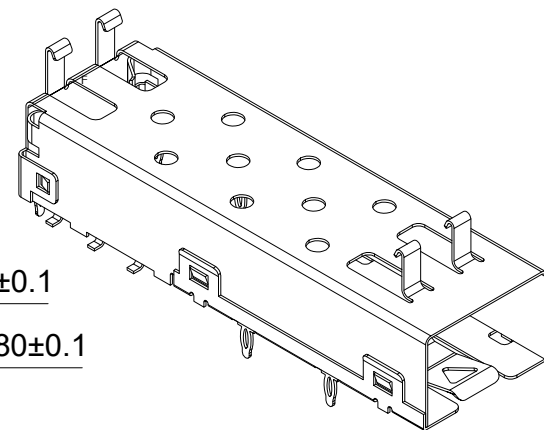
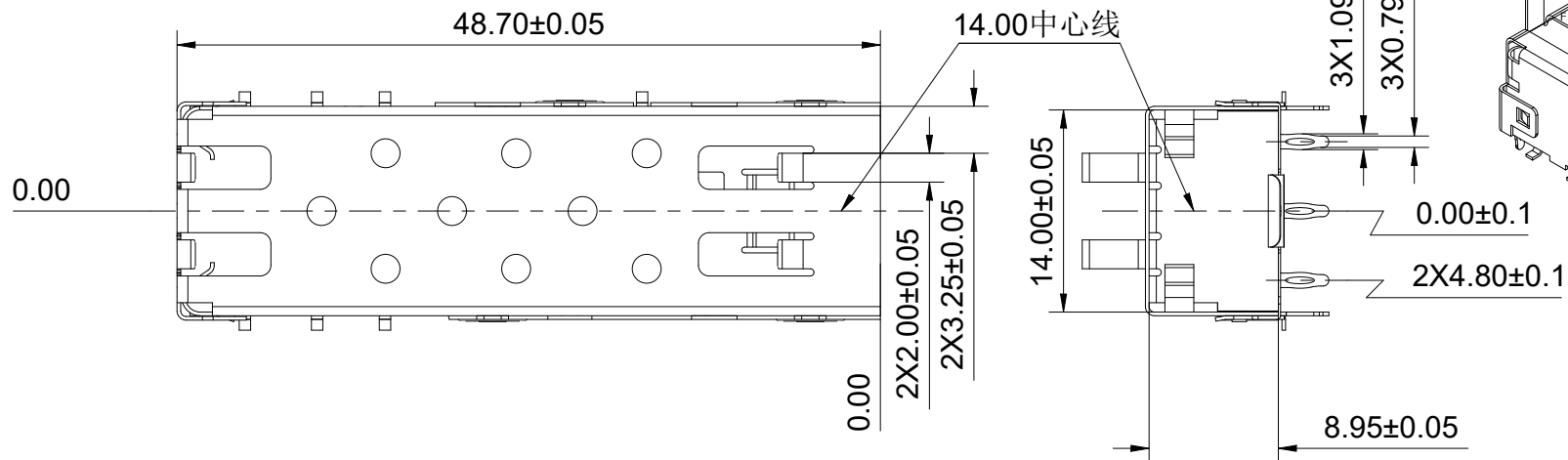
4

3

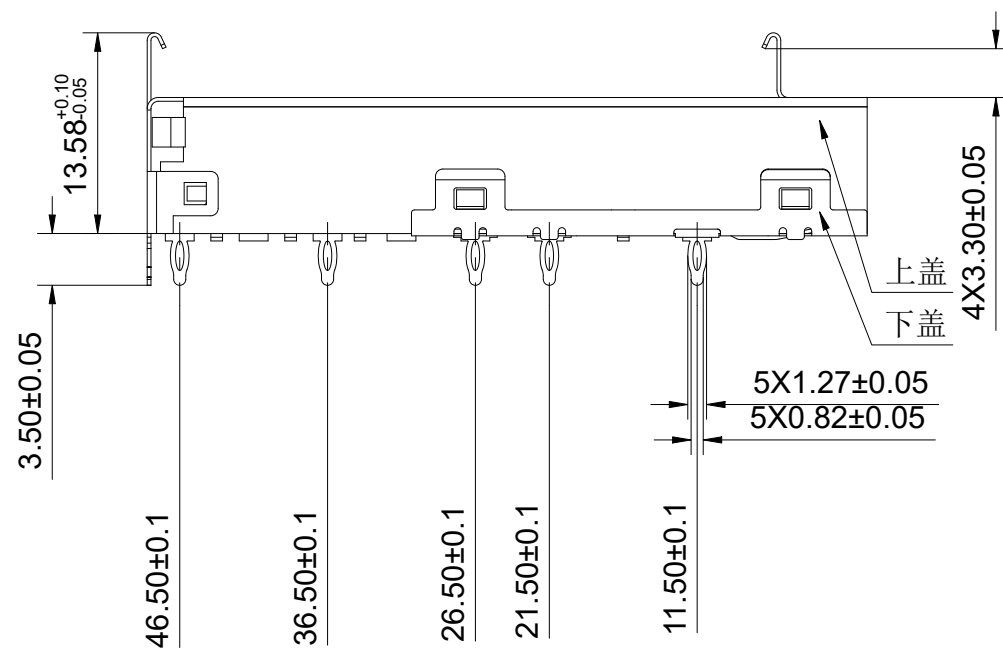
2

1

REVISION DATA				
REV	ECN	DESCRIPTION	DATE	APPROVED
G	2024120301	调整公差	2024.8.5	wcy



3D参考图



备注:

1. 零件干净无杂质;
2. 零件无凹痕或外观缺陷等不良;
3. 挂钩和插脚无变形弯曲等不良;
4. 产品无裂纹等不良;
5. 上下盖组装后需确保SFP MSA 光纤器能顺利插入, 且弹片可以扣住光纤器;



SINRUI TECH

深圳市新瑞科技有限公司

SHENZHEN SINRUI TECHNOLOGY CO.,LTD

TOLERANCE:	PROJECTON		TITLE:
ANGLE 5.0°	DATE	2024.12.03	220-0270-E 光纤笼子
X.XXX ±0.05	DRAWN	<b>Hao.Yang</b>	PART NO: SR.W6F025N.001
X.XX ±0.20	CHECKED	<b>Mary</b>	DRAWING NO: SR.W6F025N.001
X.X ±0.30	APPROVED		REV: J UNIT: mm SCALE: 1:1 SIZE: A4
X. ±0.50			

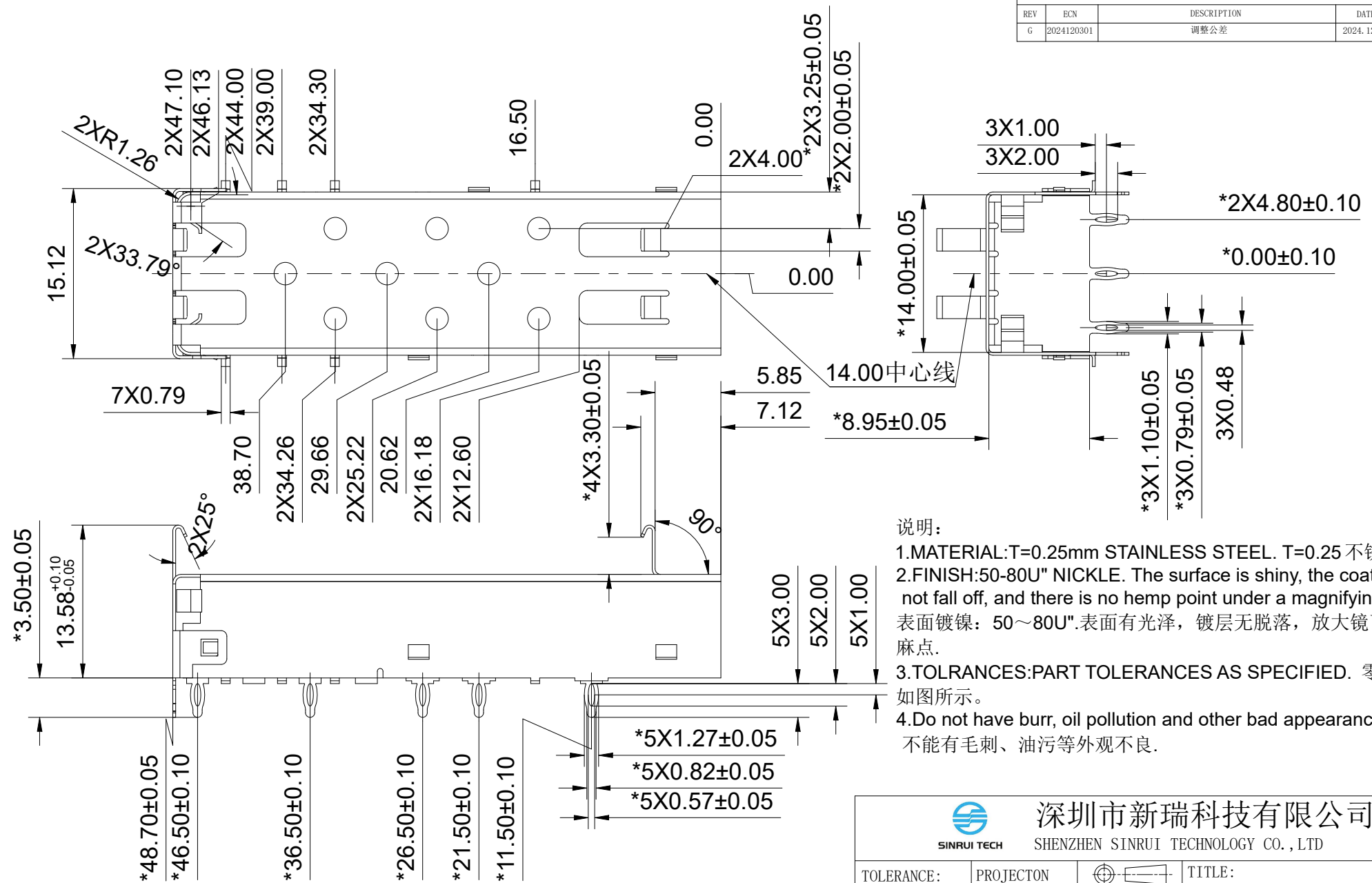
4

3

2

1

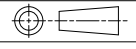
REVISION DATA				
REV	ECN	DESCRIPTION	DATE	APPROVED
G	2024120301	调整公差	2024.12.03	wcy



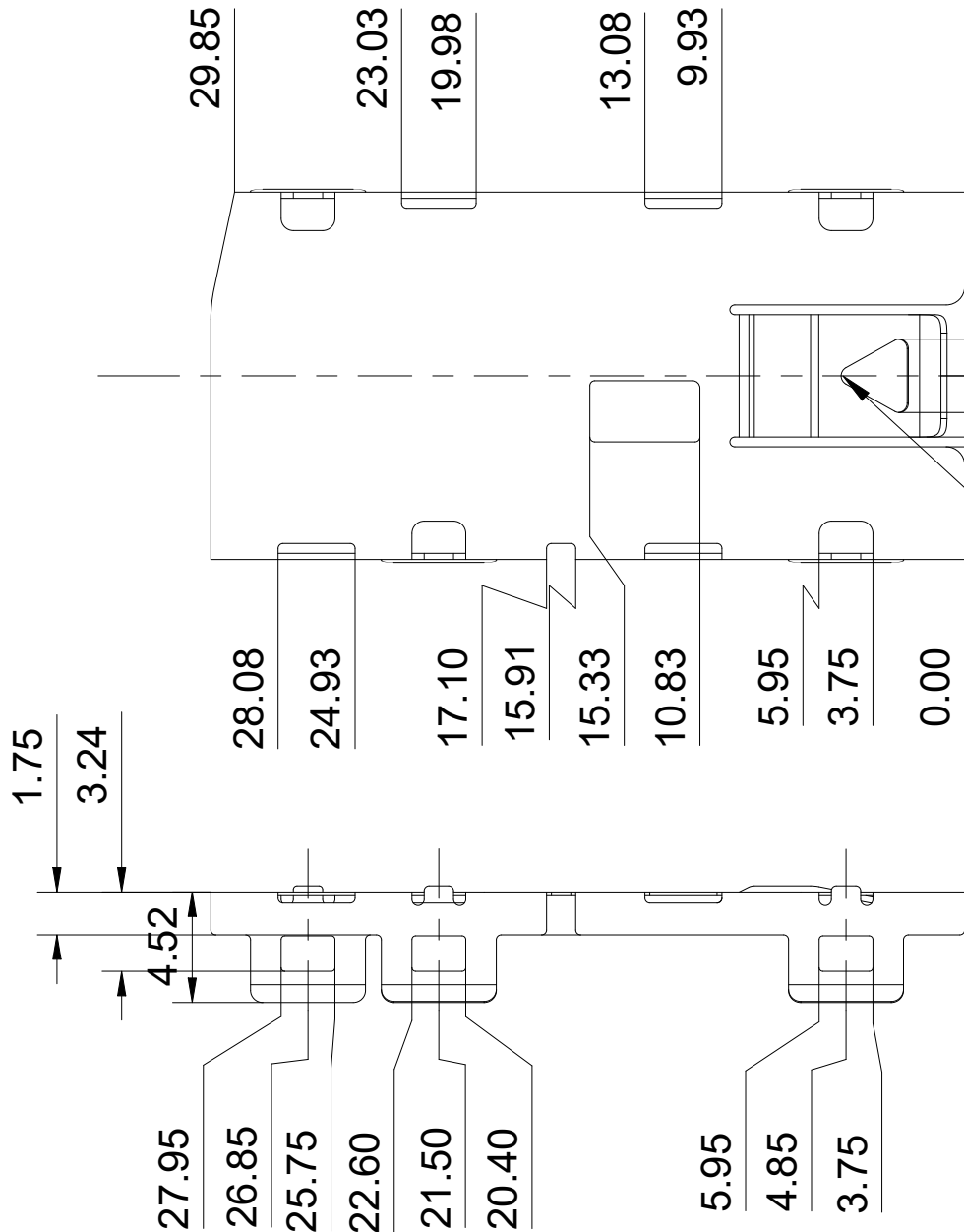
说明:

- 1.MATERIAL:T=0.25mm STAINLESS STEEL. T=0.25 不锈钢材料
- 2.FINISH:50-80U" NICKLE. The surface is shiny, the coating does not fall off, and there is no hemp point under a magnifying glass. 表面镀镍: 50~80U".表面有光泽, 镀层无脱落, 放大镜下看没有麻点.
- 3.TOLRANCES:PART TOLERANCES AS SPECIFIED. 零件公差如图所示.
- 4.Do not have burr, oil pollution and other bad appearance. 不能有毛刺、油污等外观不良.

 深圳市新瑞科技有限公司  
SHENZHEN SINRUI TECHNOLOGY CO.,LTD

TOLERANCE:	PROJECTON		TITLE:
ANGLE ±5°	DATE	2024.12.03	220-0270-E 光纤笼子(上盖)
X.XXX ±0.05	DRAWN	<b>Hao.Yang</b>	PART NO: SR.W6F025N.001
X.XX ±0.2	CHECKED	<b>Mary</b>	DRAWING NO: SR.W6F025N.001
X.X ±0.30	APPROVED		REV: J UNIT: mm SCALE: 2:1 SIZE: 1/2 A4
X. ±0.50			

REVISION DATA				
REV	ECN	DESCRIPTION	DATE	APPROVED
G	2024120301	调整公差	2024. 12. 03	wcy



说明:

- 1.MATERIAL:T=0.25mm STAINLESS STEEL. T=0.25 不锈钢材料
- 2.FINISH:50-80U" NICKLE. The surface is shiny, the coating does not fall off, and there is no hemp point under a magnifying glass. 表面镀镍: 50~80U".表面有光泽, 镀层无脱落, 放大镜下看没有麻点.
- 3.TOLRANCES:PART TOLERANCES AS SPECIFIED. 零件公差如图所示.
- 4.Do not have burr, oil pollution and other bad appearance. 不能有毛刺、油污等外观不良.



深圳市新瑞科技有限公司  
SHENZHEN SINRUI TECHNOLOGY CO., LTD

TOLERANCE:	PROJECTON		TITLE:
ANGLE ±5°	DATE	2024. 12. 03	220-0270-E 光纤笼子(下盖)
X. XXX ±0.05	DRAWN	<b>Hao.Yang</b>	PART NO: SR.W6F025N.001
X. XX ±0.20	CHECKED	<b>Mary</b>	DRAWING NO: SR.W6F025N.001
X. X ±0.30	APPROVED		REV: J UNIT: mm SCALE: 2:1 SIZE: 2/2 A4
X. ±0.50			