

*an integrated supplier*



# RTA CABINETS

Specification & Features

[www.eagleridgegroup.com](http://www.eagleridgegroup.com)



# Specification & Features

## Cabinet Doors

### Charleston Antique White

**Wood Species:** Birch  
**Door Style:** Full Overlay, Raised Panel with Glazing (Engineered Center Panel)  
**Box Construction:** 1/2" Solid Plywood  
**Drawer Glide:** Full Extension, Soft Close Under-Mount  
**Drawer:** 5-Piece, Engineered Center Panel (Matches Door)  
**Drawer Construction:** 5/8" Solid Wood, Dovetail Construction  
**Hinge:** Soft Close Adjustable  
**Cabinet Interior:** Natural UV Coated  
**Cabinet Exterior:** Matching Door Finish  
**Assembly Method:** Dovetail  
**Delivery:** 1-14 Business Days



### Charleston Saddle

**Wood Species:** North American Maple  
**Door Style:** Solid Wood Full Overlay, Raised Panel with Glazing  
**Box Construction:** 1/2" Solid Plywood  
**Drawer Glide:** Full Extension, Soft Close Under-Mount  
**Drawer:** Solid Wood, 5-Piece (Matches Door)  
**Drawer Construction:** 5/8" Solid Wood, Dovetail Construction  
**Hinge:** Soft Close Adjustable  
**Cabinet Interior:** Natural UV Coated  
**Cabinet Exterior:** Matching Door Finish  
**Assembly Method:** Dovetail  
**Delivery:** 1-14 Business Days



### Charleston Cherry

**Wood Species:** Birch  
**Door Style:** Solid Wood Full Overlay, Raised Panel with Glazing  
**Box Construction:** 1/2" Solid Plywood  
**Drawer Glide:** Full Extension, Soft Close Under-Mount  
**Drawer:** Solid Wood, 5-Piece (Matches Door)  
**Drawer Construction:** 5/8" Solid Wood, Dovetail Construction  
**Hinge:** Soft Close Adjustable  
**Cabinet Interior:** Natural UV Coated  
**Cabinet Exterior:** Matching Door Finish  
**Assembly Method:** Dovetail  
**Delivery:** 1-14 Business Days



### Charleston Toe

**Wood Species:** North American Maple  
**Door Style:** Solid Wood Full Overlay, Raised Panel with Glazing  
**Box Construction:** 1/2" Solid Plywood  
**Drawer Glide:** Full Extension, Soft Close Under-Mount  
**Drawer:** Solid Wood, 5-Piece (Matches Door)  
**Drawer Construction:** 5/8" Solid Wood, Dovetail Construction  
**Hinge:** Soft Close Adjustable  
**Cabinet Interior:** Natural UV Coated  
**Cabinet Exterior:** Matching Door Finish  
**Assembly Method:** Dovetail  
**Delivery:** 1-14 Business Days



### York Antique White

**Wood Species:** Birch  
**Door Style:** Full Overlay, Recessed Panel (Engineered Center Panel)  
**Box Construction:** 1/2" Solid Plywood  
**Drawer Glide:** Full Extension, Soft Close Under-Mount  
**Drawer:** 5-Piece, Engineered Center Panel (Matches Door)  
**Drawer Construction:** 5/8" Solid Wood, Dovetail Construction  
**Hinge:** Soft Close Adjustable  
**Cabinet Interior:** Natural UV Coated  
**Cabinet Exterior:** Matching Door Finish  
**Assembly Method:** Dovetail  
**Delivery:** 1-14 Business Days



### York Saddle

**Wood Species:** North American Maple  
**Door Style:** Full Overlay, Recessed Panel (Engineered Center Panel)  
**Box Construction:** 1/2" Solid Plywood  
**Drawer Glide:** Full Extension, Soft Close Under-Mount  
**Drawer:** 5-Piece, Engineered Center Panel (Matches Door)  
**Drawer Construction:** 5/8" Solid Wood, Dovetail Construction  
**Hinge:** Soft Close Adjustable  
**Cabinet Interior:** Natural UV Coated  
**Cabinet Exterior:** Matching Door Finish  
**Assembly Method:** Dovetail  
**Delivery:** 1-14 Business Days



### Shaker White Elite

**Wood Species:** Birch  
**Door Style:** Full Overlay  
**Box Construction:** 1/2" Solid Plywood  
**Drawer Glide:** Full Extension, Soft Close Under-Mount  
**Drawer:** Solid Wood, 5-Piece (Matches Door)  
**Drawer Construction:** 5/8" Solid Wood, Dovetail Construction  
**Hinge:** Soft Close Adjustable  
**Cabinet Interior:** Natural UV Coated  
**Cabinet Exterior:** Matching Door Finish  
**Assembly Method:** Dovetail  
**Delivery:** 1-14 Business Days



### Shaker Cinnamon

**Wood Species:** North American Maple  
**Door Style:** Full Overlay, Recessed Panel (Engineered Center Panel)  
**Box Construction:** 1/2" Solid Plywood  
**Drawer Glide:** Full Extension, Soft Close Under-Mount  
**Drawer:** 5-Piece, Engineered Center Panel (Matches Door)  
**Drawer Construction:** 5/8" Solid Wood, Dovetail Construction  
**Hinge:** Soft Close Adjustable  
**Cabinet Interior:** Natural UV Coated  
**Cabinet Exterior:** Matching Door Finish  
**Assembly Method:** Dovetail  
**Delivery:** 1-14 Business Days



### Shaker Espresso

**Wood Species:** Birch  
**Door Style:** Full Overlay, Recessed Panel (Engineered Center Panel)  
**Box Construction:** 1/2" Solid Plywood  
**Drawer Glide:** Full Extension, Soft Close Under-Mount  
**Drawer:** 5-Piece, Engineered Center Panel (Matches Door)  
**Drawer Construction:** 5/8" Solid Wood, Dovetail Construction  
**Hinge:** Soft Close Adjustable  
**Cabinet Interior:** Natural UV Coated  
**Cabinet Exterior:** Matching Door Finish  
**Assembly Method:** Dovetail  
**Delivery:** 1-14 Business Days



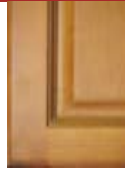
### Madison Antique White

**Wood Species:** Birch  
**Door Style:** Full Overlay, Raised Panel with Glazing (Engineered Center Panel)  
**Box Construction:** 1/2" Solid Plywood  
**Drawer Glide:** Side Mount Epoxy  
**Drawer:** 5-Piece, Engineered Center Panel (Matches Door)  
**Drawer Construction:** 5/8" Solid Wood, Dovetail Construction  
**Hinge:** 6 Way Adjustable  
**Cabinet Interior:** Natural UV Coated  
**Cabinet Exterior:** Matching Door Finish  
**Assembly Method:** Metal Clip  
**Delivery:** 1-14 Business Days



### Madison Toe

**Wood Species:** Birch  
**Door Style:** Full Overlay, Raised Panel with Glazing (Engineered Center Panel)  
**Box Construction:** 1/2" Solid Plywood  
**Drawer Glide:** Side Mount Epoxy  
**Drawer:** Solid Wood, 5-Piece (Matches Door)  
**Drawer Construction:** 5/8" Solid Wood, Dovetail Construction  
**Hinge:** 6 Way Adjustable  
**Cabinet Interior:** Natural UV Coated  
**Cabinet Exterior:** Matching Door Finish  
**Assembly Method:** Metal Clip  
**Delivery:** 1-14 Business Days



### Madison Chocolate

**Wood Species:** Birch  
**Door Style:** Full Overlay, Raised Panel with Glazing (Engineered Center Panel)  
**Box Construction:** 1/2" Solid Plywood  
**Drawer Glide:** Side-Mount Epoxy/Upgradeable to Soft Close (\$30 per Drawer)  
**Drawer:** 5-Piece, Engineered Center Panel (Matches Door)  
**Drawer Construction:** 5/8" Solid Wood, Dovetail Construction  
**Hinge:** 6-way Adjustable, Concealed Cup Hinge/Upgradeable to Soft Close (\$5 per Door)  
**Cabinet Interior:** Natural UV Coated  
**Cabinet Exterior:** Matching Door Finish  
**Assembly Method:** Metal Clip  
**Delivery:** 1-14 Business Days



### Bristol Chocolate

**Wood Species:** Birch  
**Door Style:** Solid Wood Full Overlay, Raised Panel with Glazing  
**Box Construction:** 1/2" Solid Plywood  
**Drawer Glide:** Full Extension, Soft Close Under-Mount  
**Drawer:** Solid Wood, 5-Piece (Matches Door)  
**Drawer Construction:** 5/8" Solid Wood, Dovetail Construction  
**Hinge:** Soft Close Adjustable  
**Cabinet Interior:** Natural UV Coated  
**Cabinet Exterior:** Matching Door Finish  
**Assembly Method:** Dovetail  
**Delivery:** 1-14 Business Days



### York Chocolate

**Wood Species:** Birch  
**Door Style:** Full Overlay, Recessed Panel with Glaze (Engineered Center Panel)  
**Box Construction:** 1/2" Solid Plywood  
**Drawer Glide:** Full Extension, Soft Close Under-Mount  
**Drawer:** 5-Piece, Engineered Center Panel (Matches Door)  
**Drawer Construction:** 5/8" Solid Wood, Dovetail Construction  
**Hinge:** Soft Close Adjustable  
**Cabinet Interior:** Natural UV Coated  
**Cabinet Exterior:** Matching Door Finish  
**Assembly Method:** Dovetail  
**Delivery:** 1-14 Business Days



## Standard Wall Cabinet Features

**[1] SOFT CLOSING HINGES :** Concealed Soft Closing door hinges close doors softly and quietly every time.



**[2] PLYWOOD BOX CONSTRUCTION :** Grade-A 1/2" plywood construction. Natural wood grain interior with strong UV finish for added protection. Exterior matches door finish.



**[3] CABINET FRAME AND DOOR :** 5-Piece door with mitered joints and engineered core. Solid face frame and rails with strong Mortise and Tenon joints. Includes ultra high end finish and hand applied glazing.



**[4] WALL CABINET SHELVES :** Upgraded 3/4" plywood shelving used on all cabinet lines as standard. Thick shelves have a natural wood grain finish.



## Standard Base Cabinet Features



**[1] SOFT CLOSING DOOR HINGES :** Concealed Soft Closing door hinges close doors softly and quietly every time.



**[2] DRAWER FRONT :** 7/8" solid hardwood 5-piece mitered drawer head with engineered core. Includes ultra high end finish and hand applied glazing.



**[3] DRAWER CONSTRUCTION :** 5/8" solid wood dovetail drawer with 1/2" plywood bottom.



**[4] SOFT CLOSING DRAWER GLIDES :** Under-mount full extension soft close drawer glides creates easy access to stored objects.



**[5] DOORS :** 5-Piece door with mitered joints and engineered core. Solid face frame and rails with strong Mortise and Tenon joints. Includes ultra high end finish and hand applied glazing.



**[6] PLYWOOD BOX CONSTRUCTION :** Grade-A 1/2" plywood construction. Natural wood grain interior with strong UV finish for added protection. Exterior matches door finish.



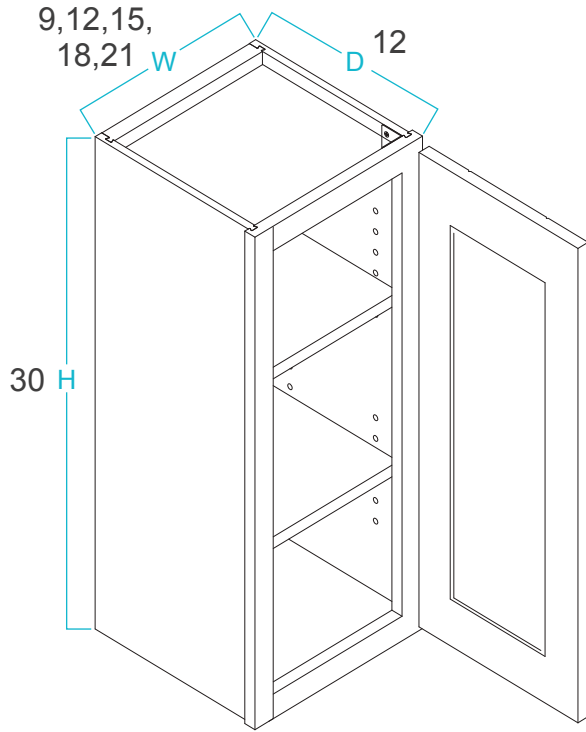
### DOVETAIL ASSEMBLY:

Our unique assembly method is faster, stronger and shows no assembly clips.

### EAGLERIDGE CABINETRY

Eagleridge Cabinetry is one of the leading factory direct distributors of kitchen and bathroom cabinetry in the industry today. We have been selling our kitchen cabinets and bathroom vanities nationwide to customers since 2004, shipping out hundreds of kitchens a month coast to coast. We are looking to form relationships with local professionals and businesses to grow and better our services to customers. There are many opportunities available with us, from referring customers, helping them through the purchasing process, to assisting them with measuring, assembly, and installation. We may also be interested in joint marketing and recommending your business on our website.

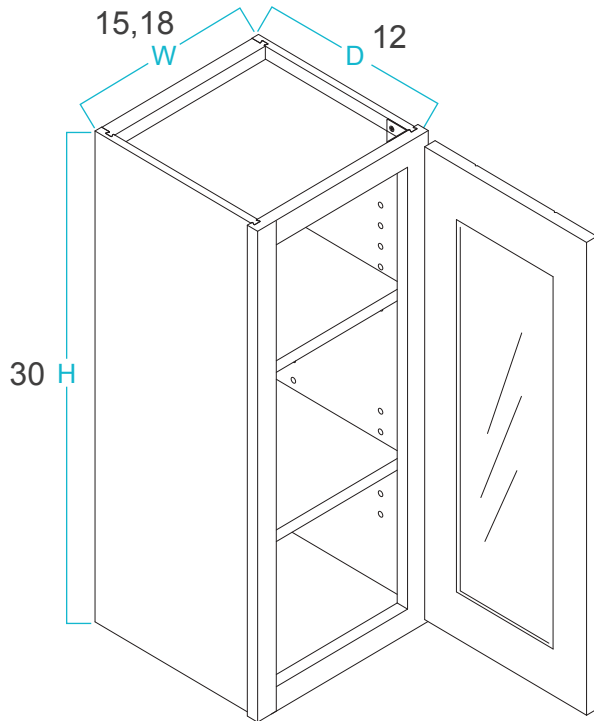
# Single Door Wall Cabinets



W0930  
W1230  
W1530  
W1830  
W2130

SKU	Cabinet Box			Cabinet Doors			
	W	H	D	W	H	D	QTY
W0930	9	30	12	8 1/2	29	7/8	1
W1230	12	30	12	11 1/2	29	7/8	1
W1530	15	30	12	14 1/2	29	7/8	1
W1830	18	30	12	17 1/2	29	7/8	1
W2130	21	30	12	20 1/2	29	7/8	1

- 30" tall cabinets have two adjustable shelves.



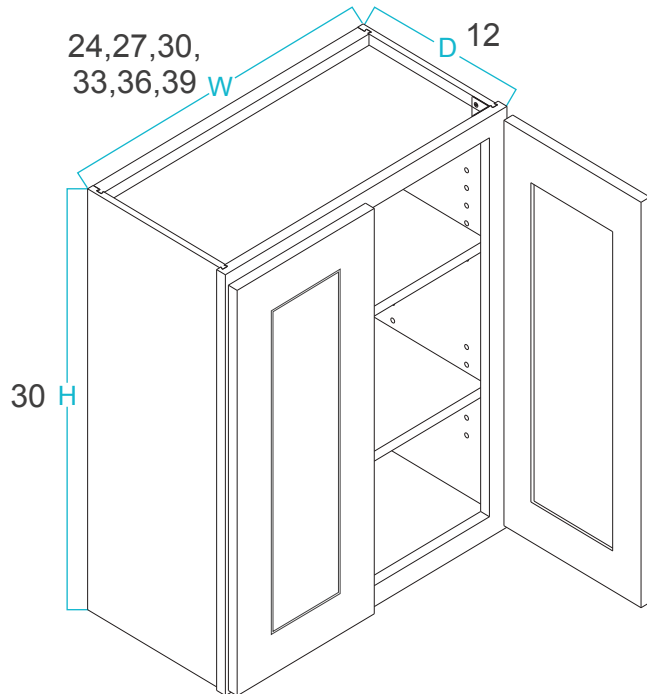
WM1530GDFI  
WM1830GDFI

SKU	Cabinet Box			Cabinet Doors			
	W	H	D	W	H	D	QTY
WM1530GDFI	15	30	12	14 1/2	29	7/8	1
WM1830GDFI	18	30	12	17 1/2	29	7/8	1

- Glass included.
- Finished interior.

- 30" tall cabinets have two adjustable shelves.
- \*Mullion bars are on Charleston series only (Excluding Charleston Antique White)

### Double Door Wall Cabinets

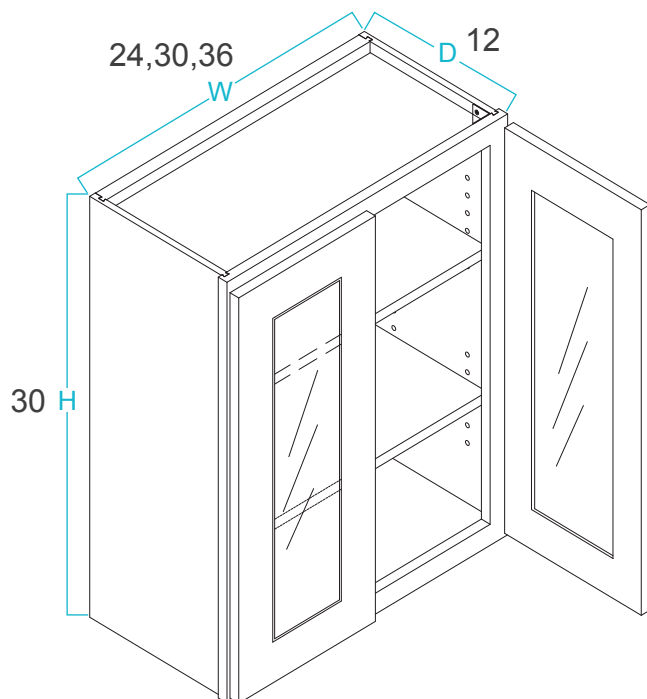


**W2430**  
**W2730**  
**W3030**  
**W3330**  
**W3630**  
**\*W3930**

\*Has center stile.

SKU	Cabinet Box			Cabinet Doors			
	W	H	D	W	H	D	QTY
W2430	24	30	12	11 3/4	29	7/8	2
W2730	27	30	12	13 1/4	29	7/8	2
W3030	30	30	12	14 5/8	29	7/8	2
W3330	33	30	12	16 1/4	29	7/8	2
W3630	36	30	12	17 3/4	29	7/8	2
W3930	39	30	12	19 1/8	29	7/8	2

- 30" tall cabinets have two adjustable shelves.



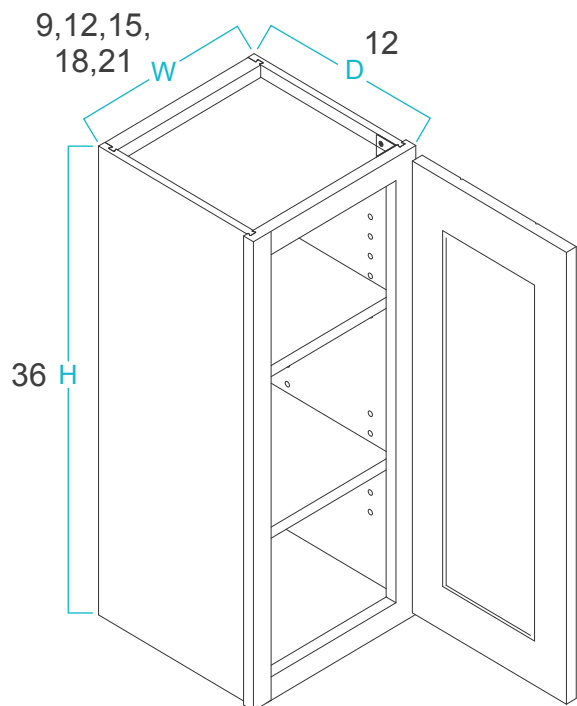
**WM2430GDFI**  
**WM3030GDFI**  
**WM3630GDFI**

SKU	Cabinet Box			Cabinet Doors			
	W	H	D	W	H	D	QTY
WM2430GDFI	24	30	12	11 3/4	29	7/8	2
WM3030GDFI	30	30	12	14 5/8	29	7/8	2
WM3630GDFI	36	30	12	17 3/4	29	7/8	2

- Glass included.
- Finished interior.

- 30" tall cabinets have two adjustable shelves.
- \*Mullion bars are on Charleston series only (Excluding Charleston Antique White)

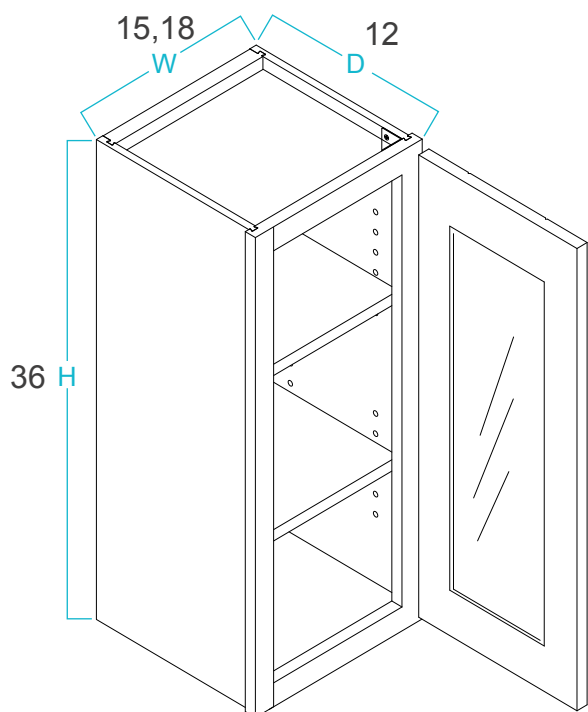
### Single Door Wall Cabinets



W0936  
W1236  
W1536  
W1836  
W2136

SKU	Cabinet Box			Cabinet Doors			QTY
	W	H	D	W	H	D	
W0936	9	36	12	8 1/2	35	7/8	1
W1236	12	36	12	11 1/2	35	7/8	1
W1536	15	36	12	14 1/2	35	7/8	1
W1836	18	36	12	17 1/2	35	7/8	1
W2136	21	36	12	20 1/2	35	7/8	1

- 36" tall cabinets have two adjustable shelves.



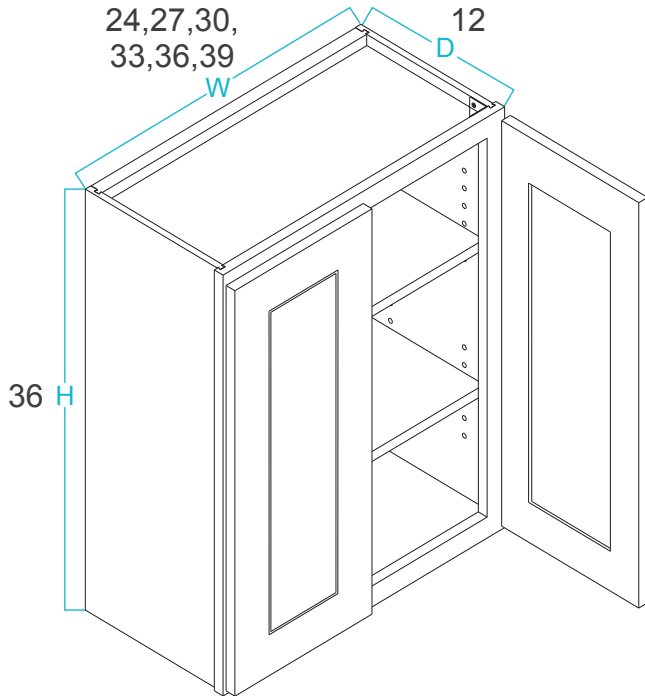
WM1536GDFI  
WM1836GDFI

SKU	Cabinet Box			Cabinet Doors			QTY
	W	H	D	W	H	D	
WM1536GDFI	15	36	12	14 1/2	35	7/8	1
WM1836GDFI	18	36	12	17 1/2	35	7/8	1

- Glass included.
- Finished interior.

- 36" tall cabinets have two adjustable shelves.
- \*Mullion bars are on Charleston series only (Excluding Charleston Antique White)

### Double Door Wall Cabinets

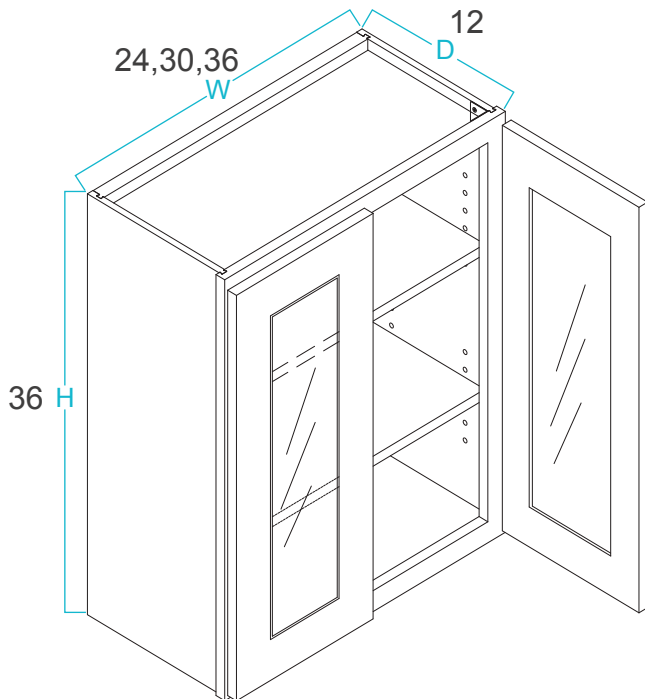


**W2436**  
**W2736**  
**W3036**  
**W3336**  
**W3636**  
**\*W3936**

\*Has center stile.

SKU	Cabinet Box			Cabinet Doors			
	W	H	D	W	H	D	QTY
W2436	24	36	12	11 3/4	35	7/8	2
W2736	27	36	12	13 1/4	35	7/8	2
W3036	30	36	12	14 5/8	35	7/8	2
W3336	33	36	12	16 1/4	35	7/8	2
W3636	36	36	12	17 3/4	35	7/8	2
W3936	39	36	12	19 1/8	35	7/8	2

- 36" tall cabinets have two adjustable shelves.



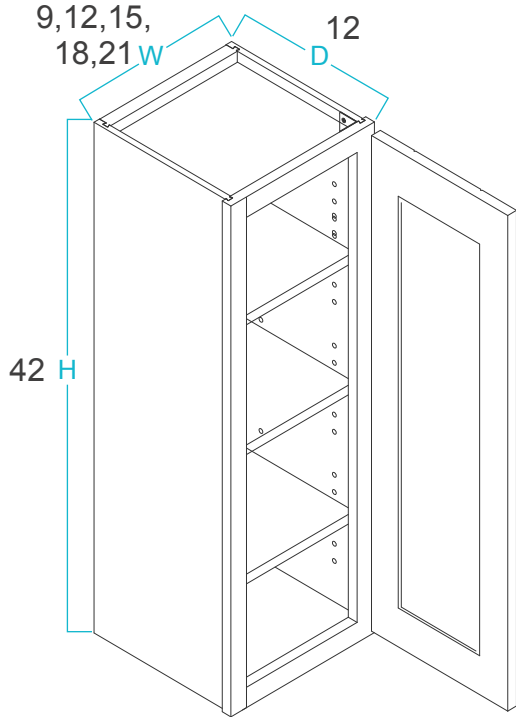
**WM2436GDFI**  
**WM3036GDFI**  
**WM3636GDFI**

SKU	Cabinet Box			Cabinet Doors			
	W	H	D	W	H	D	QTY
WM2436GDFI	24	36	12	11 3/4	35	7/8	2
WM3036GDFI	30	36	12	14 5/8	35	7/8	2
WM3636GDFI	36	36	12	17 3/4	35	7/8	2

- Glass included.
- Finished interior.

- 36" tall cabinets have two adjustable shelves.
- \*Mullion bars are on Charleston series only (Excluding Charleston Antique White)

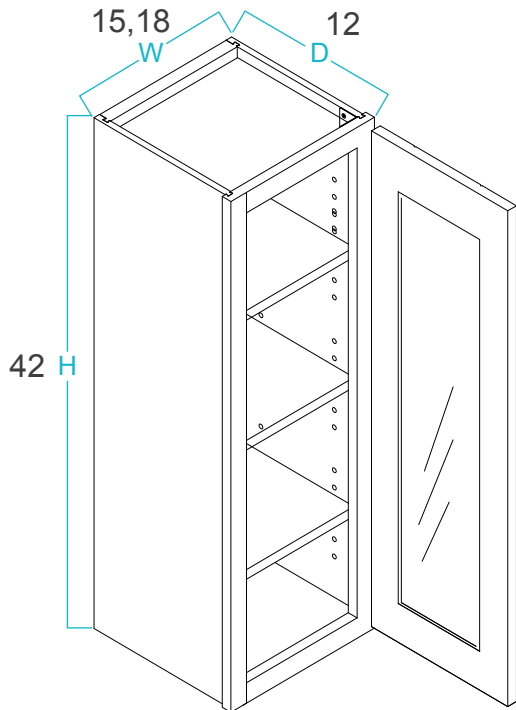
### Single Door Wall Cabinets



**W0942**  
**W1242**  
**W1542**  
**W1842**  
**W2142**

SKU	Cabinet Box			Cabinet Doors			
	W	H	D	W	H	D	QTY
W0942	9	42	12	8 1/2	41	7/8	1
W1242	12	42	12	11 1/2	41	7/8	1
W1542	15	42	12	14 1/2	41	7/8	1
W1842	18	42	12	17 1/2	41	7/8	1
W2142	21	42	12	20 1/2	41	7/8	1

- 42" tall cabinets have three adjustable shelves.



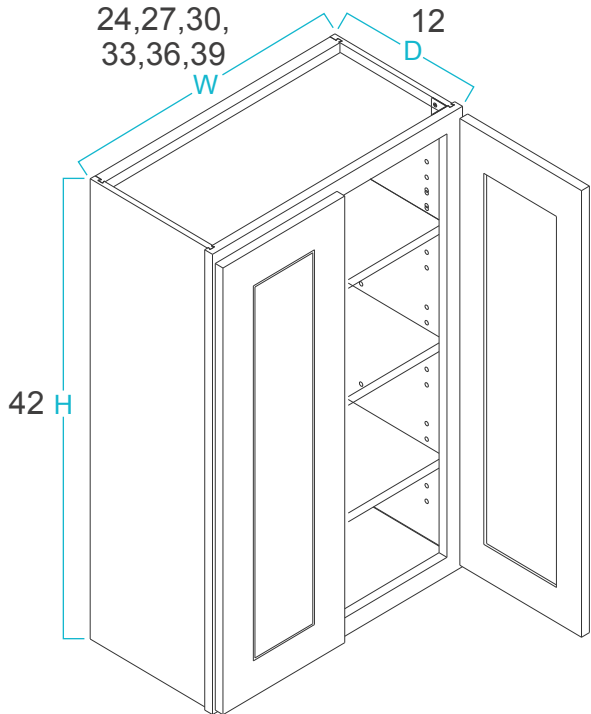
**WM1542GDFI**  
**WM1842GDFI**

SKU	Cabinet Box			Cabinet Doors			
	W	H	D	W	H	D	QTY
WM1542GDFI	15	42	12	14 1/2	41	7/8	1
WM1842GDFI	18	42	12	17 1/2	41	7/8	1

- Glass included.
- Finished interior.

- 42" tall cabinets have three adjustable shelves.
- \*Mullion bars are on Charleston series only (Excluding Charleston Antique White)

## Double Door Wall Cabinets

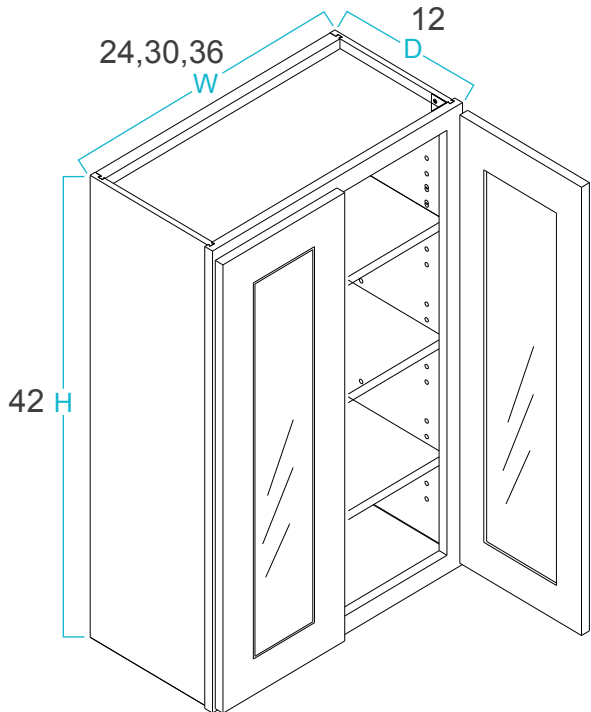


**W2442**  
**W2742**  
**W3042**  
**W3342**  
**W3642**  
**\*W3942**

\*Has center stile.

SKU	Cabinet Box			Cabinet Doors			
	W	H	D	W	H	D	QTY
W2442	24	42	12	11 3/4	41	7/8	2
W2742	27	42	12	13 1/4	41	7/8	2
W3042	30	42	12	14 5/8	41	7/8	2
W3342	33	42	12	16 1/4	41	7/8	2
W3642	36	42	12	17 3/4	41	7/8	2
W3942	39	42	12	19 1/8	41	7/8	2

- 42" tall cabinets have three adjustable shelves.



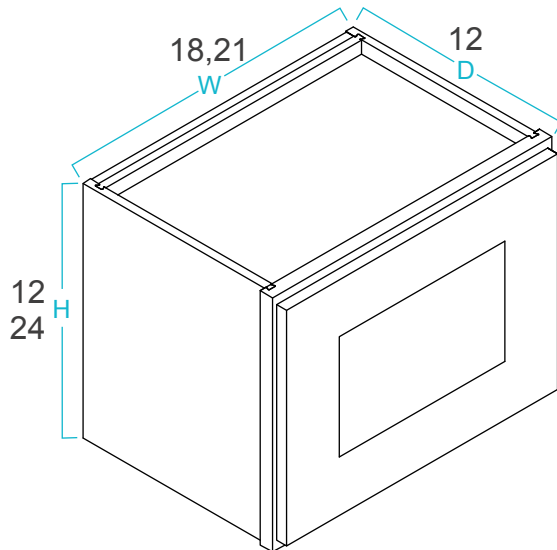
**WM2442GDFI**  
**WM3042GDFI**  
**WM3642GDFI**

SKU	Cabinet Box			Cabinet Doors			
	W	H	D	W	H	D	QTY
WM2442GDFI	24	42	12	11 3/4	41	7/8	2
WM3042GDFI	30	42	12	14 5/8	41	7/8	2
WM3642GDFI	36	42	12	17 3/4	41	7/8	2

- Glass included.
- Finished interior.

- 42" tall cabinets have three adjustable shelves.
- \*Mullion bars are on Charleston series only (Excluding Charleston Antique White)

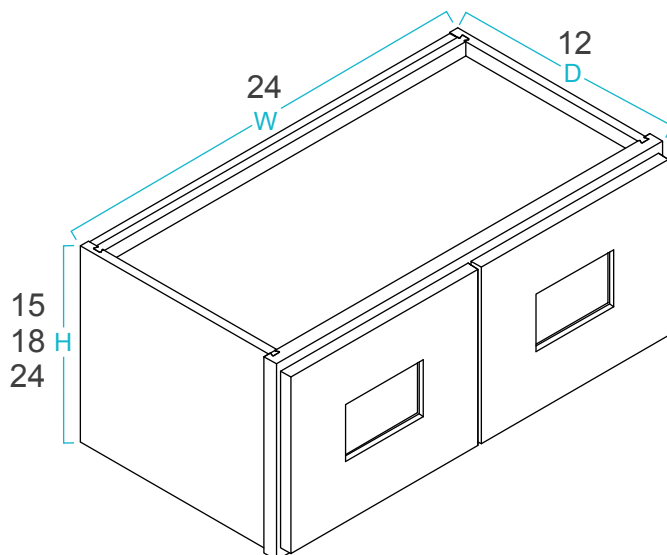
### Bridge Wall Cabinets



W1812  
W2112  
W2124

SKU	Cabinet Box			Cabinet Doors			
	W	H	D	W	H	D	QTY
W1812	18	12	12	17 1/2	11	7/8	1
W2112	21	12	12	20 1/2	11	7/8	1
W2124	21	24	12	20 1/2	23	7/8	1

- 24" tall cabinets have one shelf.

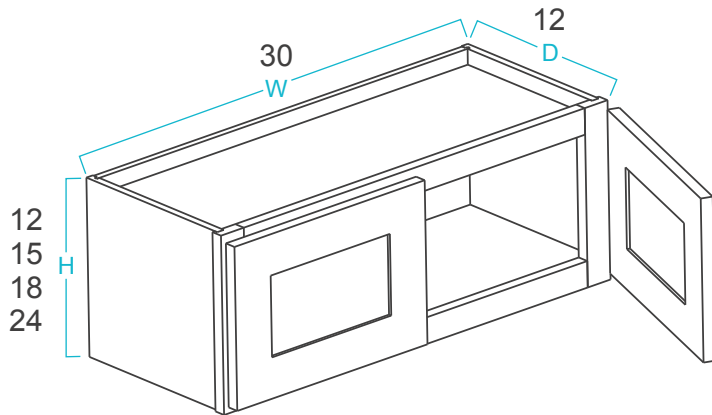


W2415  
W2418  
W2424

SKU	Cabinet Box			Cabinet Doors			
	W	H	D	W	H	D	QTY
W2415	24	15	12	11 3/4	14	7/8	2
W2418	24	18	12	11 3/4	17	7/8	2
W2424	24	24	12	11 3/4	23	7/8	2

- 24" tall cabinets have one shelf.

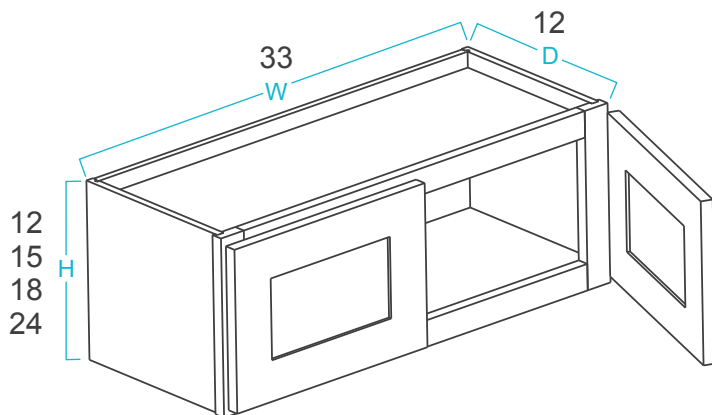
### Bridge Wall Cabinets



W3012  
W3015  
W3018  
W3024

- 24" tall cabinets have one shelf.

SKU	Cabinet Box			Cabinet Doors			QTY
	W	H	D	W	H	D	
W3012	30	12	12	14 5/8	11	7/8	2
W3015	30	15	12	14 5/8	14	7/8	2
W3018	30	18	12	14 5/8	17	7/8	2
W3024	30	24	12	14 5/8	23	7/8	2

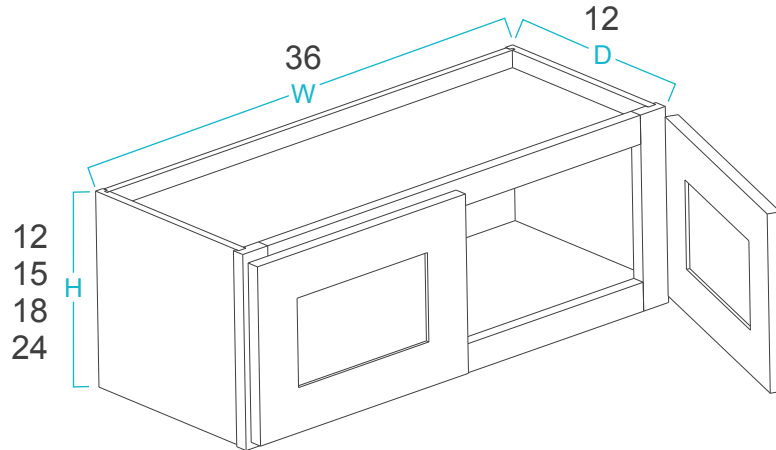


W3312  
W3315  
W3318  
W3324

- 24" tall cabinets have one shelf.

SKU	Cabinet Box			Cabinet Doors			QTY
	W	H	D	W	H	D	
W3312	33	12	12	16 1/4	11	7/8	2
W3315	33	15	12	16 1/4	14	7/8	2
W3318	33	18	12	16 1/4	17	7/8	2
W3324	33	24	12	16 1/4	23	7/8	2

### Bridge Wall Cabinets

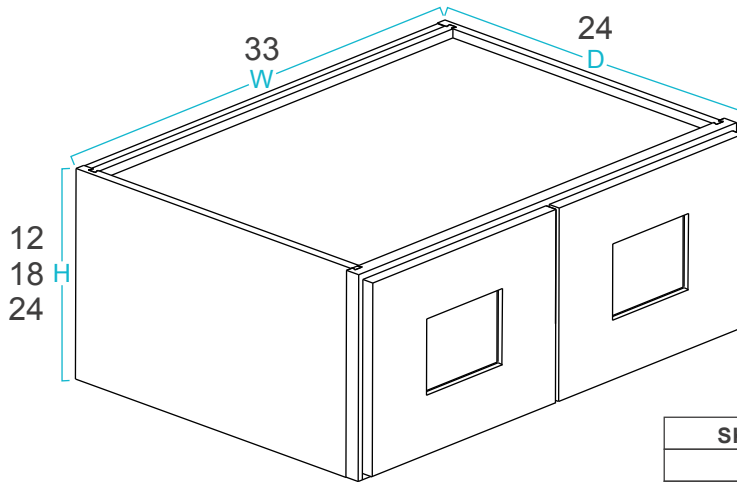


- 24" tall cabinets have one shelf.

**W3612**  
**W3615**  
**W3618**  
**W3624**

SKU	Cabinet Box			Cabinet Doors			
	W	H	D	W	H	D	QTY
W3612	36	12	12	17 3/4	11	7/8	2
W3615	36	15	12	17 3/4	14	7/8	2
W3618	36	18	12	17 3/4	17	7/8	2
W3624	36	24	12	17 3/4	23	7/8	2

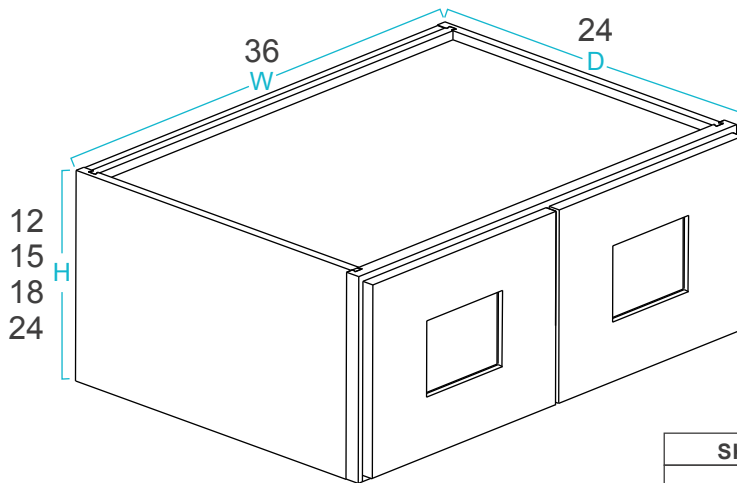
## Refrigerator Wall Cabinets



W331224  
W331824  
W332424

- 24" tall cabinets have one shelf.

SKU	Cabinet Box			Cabinet Doors			
	W	H	D	W	H	D	QTY
W331224	33	12	24	16 1/4	11	7/8	2
W331824	33	18	24	16 1/4	17	7/8	2
W332424	33	24	24	16 1/4	23	7/8	2

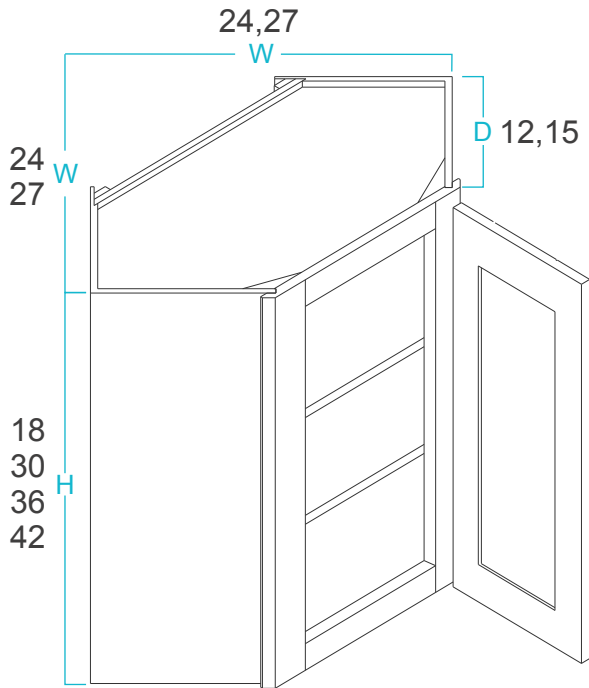


W361224  
W361524  
W361824  
W362424

- 24" tall cabinets have one shelf.

SKU	Cabinet Box			Cabinet Doors			
	W	H	D	W	H	D	QTY
W361224	36	12	24	17 3/4	11	7/8	2
W361524	36	15	24	17 3/4	14	7/8	2
W361824	36	18	24	17 3/4	17	7/8	2
W362424	36	24	24	17 3/4	23	7/8	2

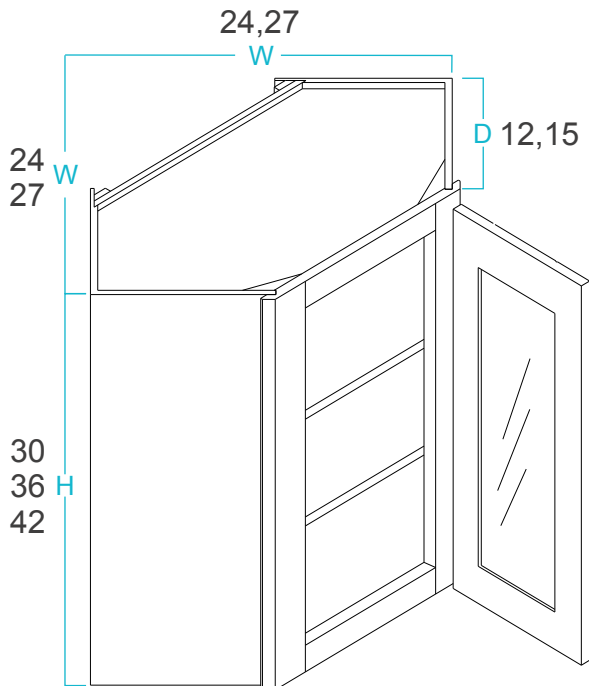
## Diagonal Corner Wall Cabinets



WDC2418  
WDC2430  
WDC2436  
WDC2442  
WDC274215

SKU	Cabinet Box			Cabinet Doors			
	W	H	D	W	H	D	QTY
WDC2418	24	18	12	15	17	7/8	1
WDC2430	24	30	12	15	29	7/8	1
WDC2436	24	36	12	15	35	7/8	1
WDC2442	24	42	12	15	41	7/8	1
WDC274215	27	42	15	15	41	7/8	1

- 30" & 36" tall cabinets have two adjustable shelves.
- 42" tall cabinets have three adjustable shelves.



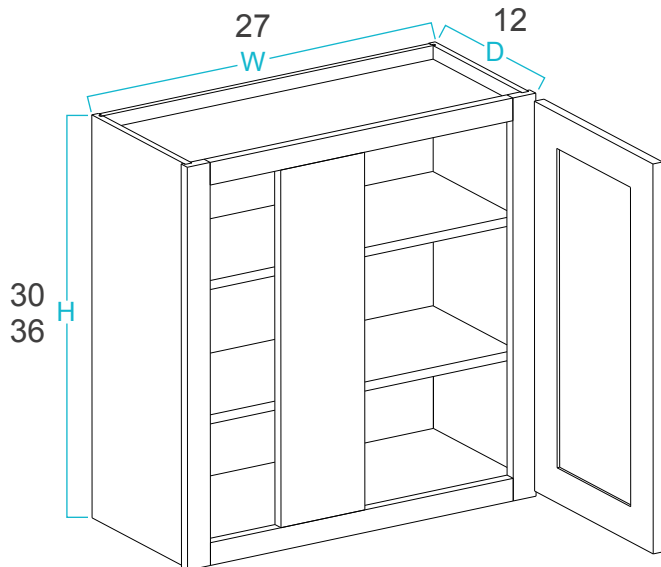
WMDC2430GDFI  
WMDC2436GDFI  
WMDC2442GDFI  
WMDC274215GDFI

SKU	Cabinet Box			Cabinet Doors			
	W	H	D	W	H	D	QTY
WMDC2430GDFI	24	30	12	15	29	7/8	1
WMDC2436GDFI	24	36	12	15	35	7/8	1
WMDC2442GDFI	24	42	12	15	41	7/8	1
WMDC274215GDFI	27	42	15	15	41	7/8	1

- Glass included.
- Finished interior.

- 30" & 36" tall cabinets have two adjustable shelves.
- 42" tall cabinets have three adjustable shelves.
- \*Mullion bars are on Charleston series only (Excluding Charleston Antique White)

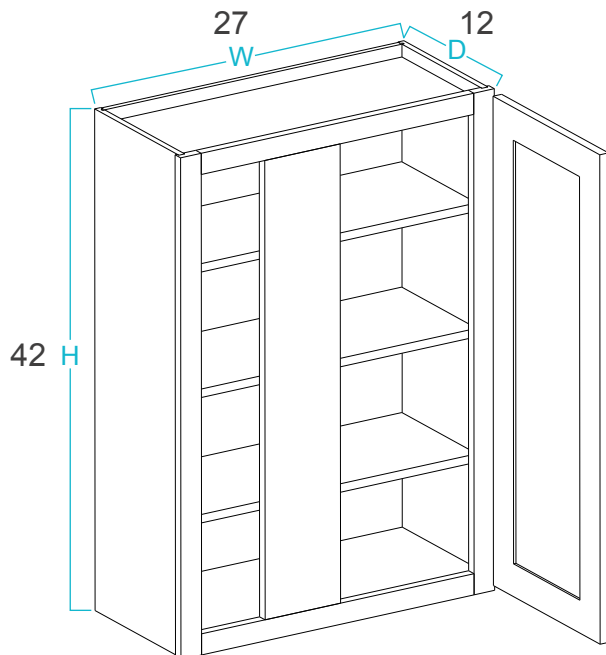
### Blind Corner Wall Cabinets



**BLW2730**  
**BLW2736**

SKU	Cabinet Box			Cabinet Doors			
	W	H	D	W	H	D	QTY
BLW2730	27	30	12	11 1/2	29	7/8	1
BLW2736	27	36	12	11 1/2	35	7/8	1

- 30" & 36" tall cabinets have two adjustable shelves.
- Can be pulled 3".

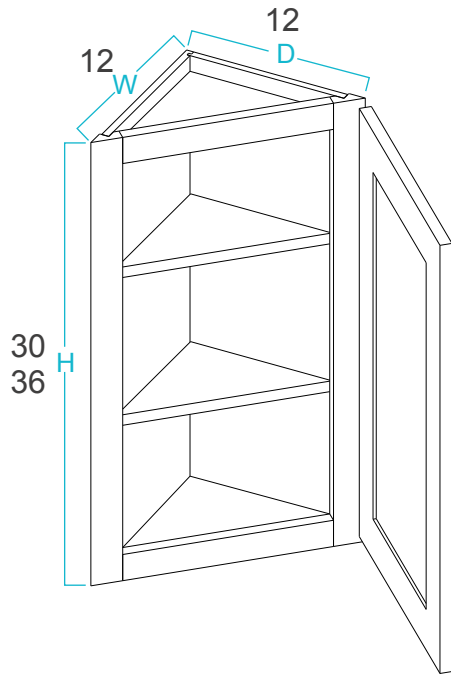


**BLW2742**

SKU	Cabinet Box			Cabinet Doors			
	W	H	D	W	H	D	QTY
BLW2742	27	42	12	11 1/2	41	7/8	1

- 42" tall cabinets have three adjustable shelves.
- Can be pulled 3".

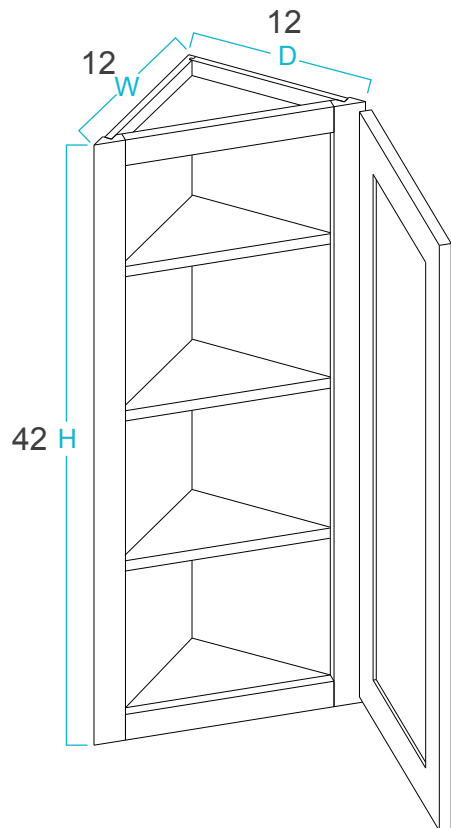
### Angle Wall Cabinets



**AW1230**  
**AW1236**

SKU	Cabinet Box			Cabinet Doors			
	W	H	D	W	H	D	QTY
AW1230	12	30	12	15 1/4	29	7/8	1
AW1236	12	36	12	15 1/4	35	7/8	1

- 30" & 36" tall cabinets have two adjustable shelves.

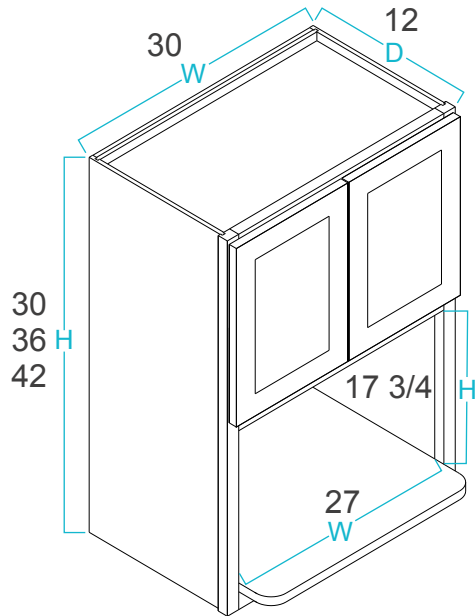


**AW1242**

SKU	Cabinet Box			Cabinet Doors			
	W	H	D	W	H	D	QTY
AW1242	12	42	12	15 1/4	41	7/8	1

- 42" tall cabinets have three adjustable shelves.

### Microwave Oven Cabinets

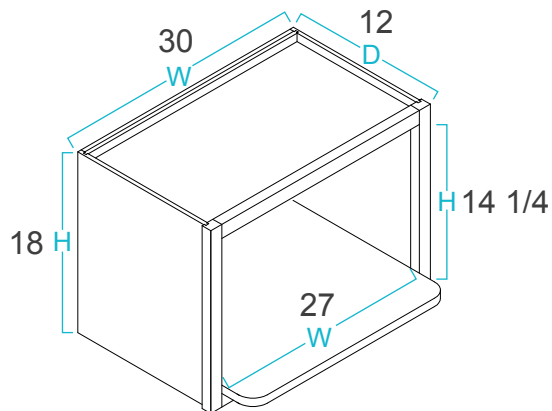


**MO3030**  
**MO3036**  
**MO3042**

SKU	Cabinet Box			Cabinet Doors			
	W	H	D	W	H	D	QTY
MO3030	30	30	12	14 5/8	8	7/8	2
MO3036	30	36	12	14 5/8	14	7/8	2
MO3042	30	42	12	14 5/8	20	7/8	2

- Opening dimensions 27" W x 17 3/4 H
- Shelf is 18" Deep

### Microwave Oven Cabinets

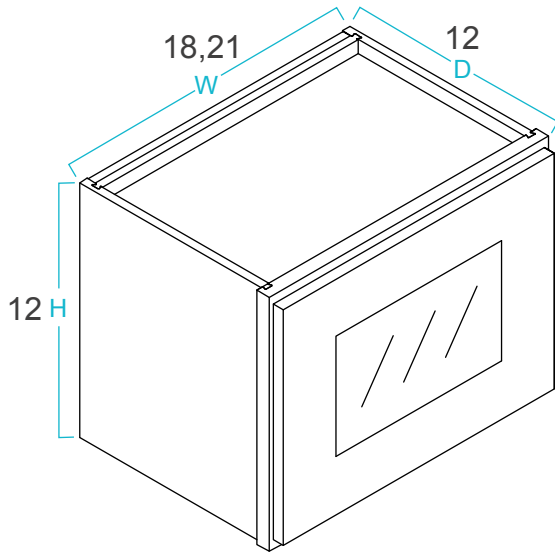


**MS3018**

SKU	Cabinet Box		
	W	H	D
MS3018	30	18	12

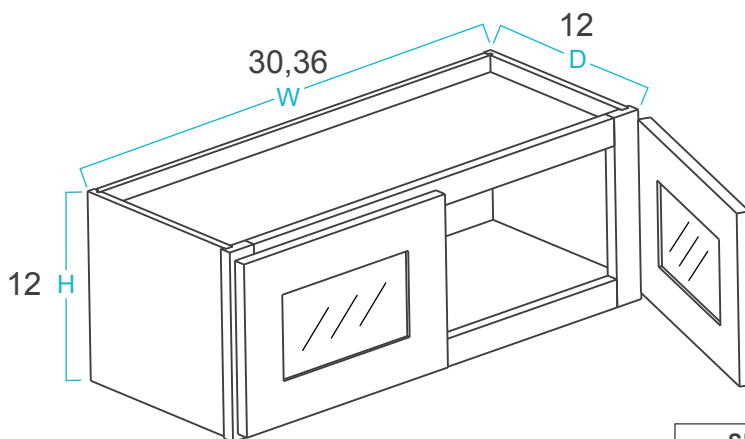
- Shelf is 18" Deep

### Decorative Wall Cabinets/Stackers



1212BGFI  
1512BGFI  
1812GDFI  
2112GDFI

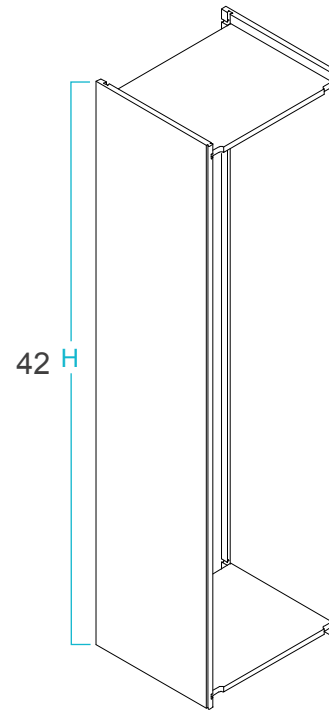
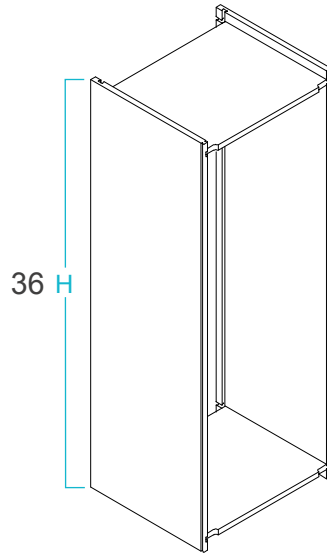
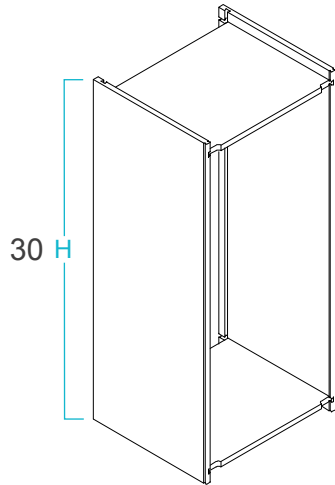
SKU	Cabinet Box			Cabinet Doors			QTY
	W	H	D	W	H	D	
1212BGFI	12	12	12	11 1/2	11	7/8	1
1512BGFI	15	12	12	14 1/2	11	7/8	1
1812GDFI	18	12	12	17 1/2	11	7/8	1
2112GDFI	21	12	12	20 1/2	11	7/8	1



2412BGFI  
2712BGFI  
3312BGFI  
3012GDFI  
3612GDFI

SKU	Cabinet Box			Cabinet Doors			QTY
	W	H	D	W	H	D	
2412BGFI	24	12	12	11 3/4	11	7/8	2
2712BGFI	27	12	12	13 1/4	11	7/8	2
3012GDFI	33	12	12	16 1/4	11	7/8	2
3312BGFI	30	12	12	14 5/8	11	7/8	2
3612GDFI	36	12	12	17 3/4	11	7/8	2

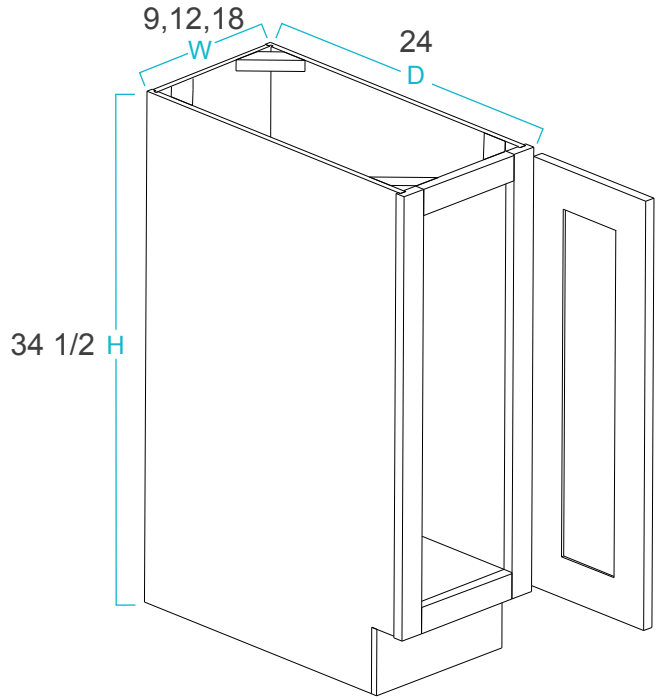
### Wall Modi" cation Kit



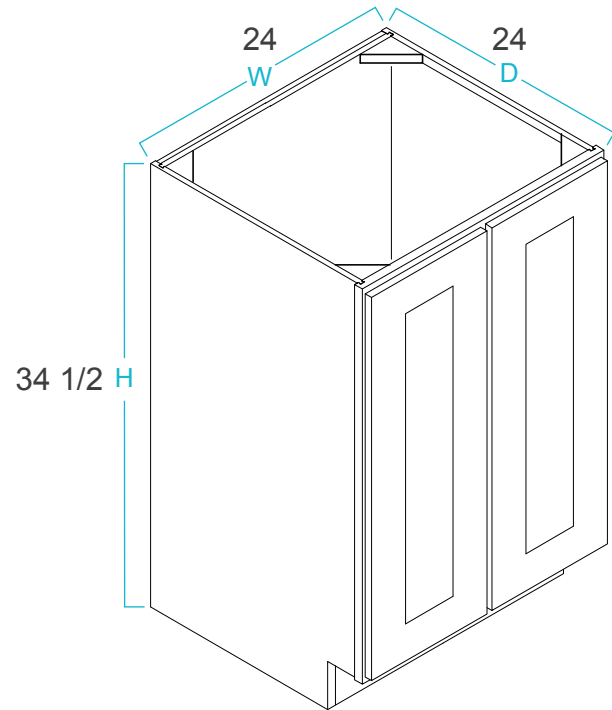
WKIT30  
WKIT36  
WKIT42

- Used to increase wall cabinet depth.
- Must be modified by LAC Cabinets.

### Full Height Door Base Cabinets



**B9FHD  
B12FHD  
B18FHD**



**B24FHD**

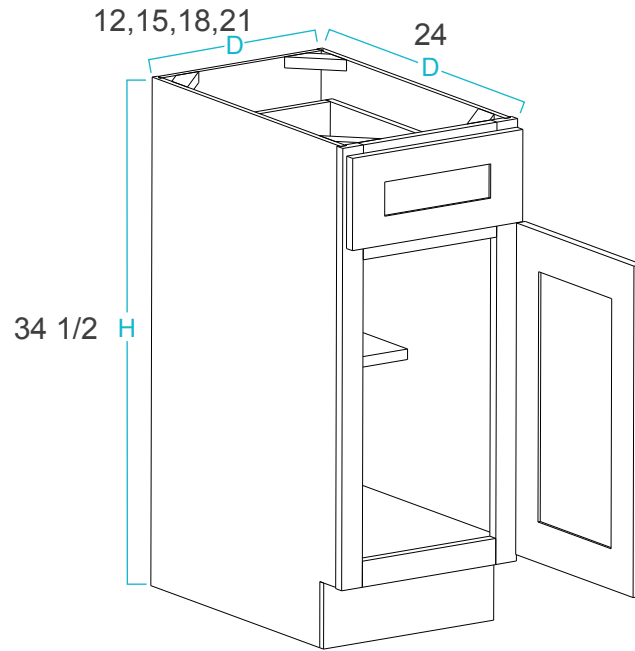
- 34 1/2" tall cabinets have one adjustable shelf.

SKU	Cabinet Box			Cabinet Doors			
	W	H	D	W	H	D	QTY
B9FHD	9	34 1/2	24	8 1/2	29 1/4	7/8	1
B12FHD	12	34 1/2	24	11 1/2	29 1/4	7/8	1
B18FHD	18	34 1/2	24	17 1/2	29 1/4	7/8	1
B24FHD	24	34 1/2	24	11 3/4	29 1/4	7/8	2

# Cabinet Specification

Base

## Single Door/Single Drawer Base Cabinets

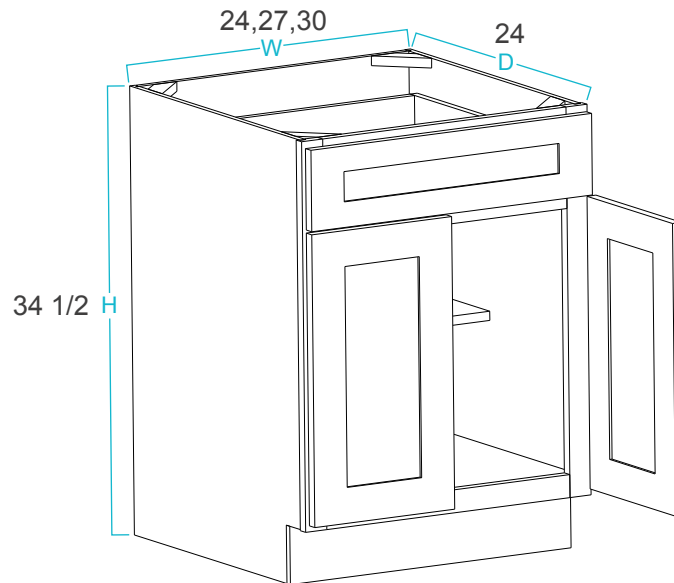


- 34 1/2" tall cabinets have one adjustable shelf.

B12  
B15  
B18  
B21

SKU	Cabinet Box			Cabinet Doors				Drawer Head				Drawer Box			
	W	H	D	W	H	D	QTY	W	H	D	QTY	W	H	D	QTY
B12	12	34 1/2	24	11 1/2	22	7/8	1	11 1/2	6 3/4	7/8	1	8 1/2	4	21	1
B15	15	34 1/2	24	14 1/2	22	7/8	1	14 1/2	6 3/4	7/8	1	11 1/2	4	21	1
B18	18	34 1/2	24	17 1/2	22	7/8	1	17 1/2	6 3/4	7/8	1	14 1/2	4	21	1
B21	21	34 1/2	24	20 1/2	22	7/8	1	20 1/2	6 3/4	7/8	1	17 1/2	4	21	1

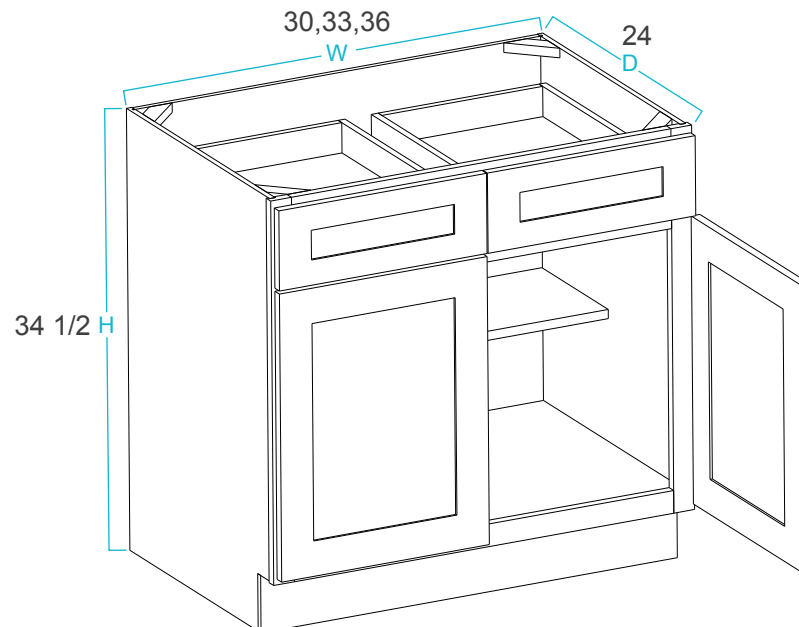
### Single Door/Single Drawer Base Cabinets



**B24**  
**B27**  
**B30** \*(MCHO,MT,MAW)

• 34 1/2" tall cabinets have one adjustable shelf.

SKU	Cabinet Box			Cabinet Doors				Drawer Head				Drawer Box			
	W	H	D	W	H	D	QTY	W	H	D	QTY	W	H	D	QTY
B24	24	34 1/2	24	11 3/4	22	7/8	2	23 1/2	6 3/4	7/8	1	20 1/2	4	21	1
B27	27	34 1/2	24	13 1/4	22	7/8	2	26 1/2	6 3/4	7/8	1	23 1/2	4	21	1
B30	30	34 1/2	24	14 5/8	22	7/8	2	29 1/2	6 3/4	7/8	1	26	4	21	1

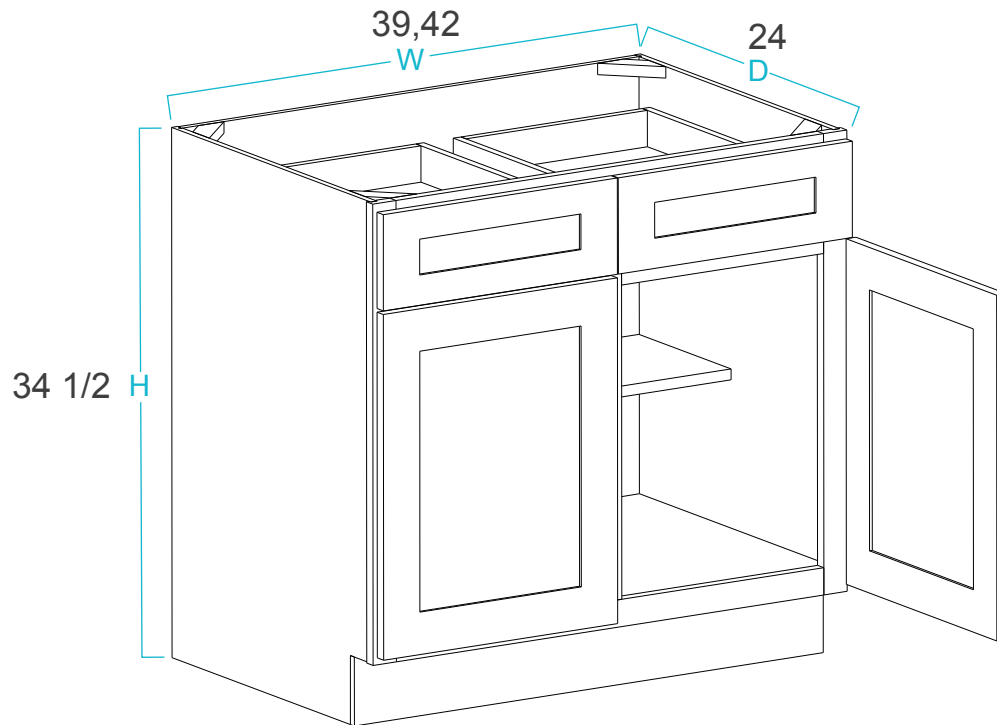


**B30**  
**B33**  
**B36**

• 34 1/2" tall cabinets have one adjustable shelf.

SKU	Cabinet Box			Cabinet Doors				Drawer Head				Drawer Box			
	W	H	D	W	H	D	QTY	W	H	D	QTY	W	H	D	QTY
B30	30	34 1/2	24	14 5/8	22	7/8	2	14 5/8	6 3/4	7/8	2	11 5/8	4	21	2
B33	33	34 1/2	24	16 1/4	22	7/8	2	16 1/4	6 3/4	7/8	2	13 1/4	4	21	2
B36	36	34 1/2	24	17 3/4	22	7/8	2	17 3/4	6 3/4	7/8	2	14 3/4	4	21	2

### Base Cabinets

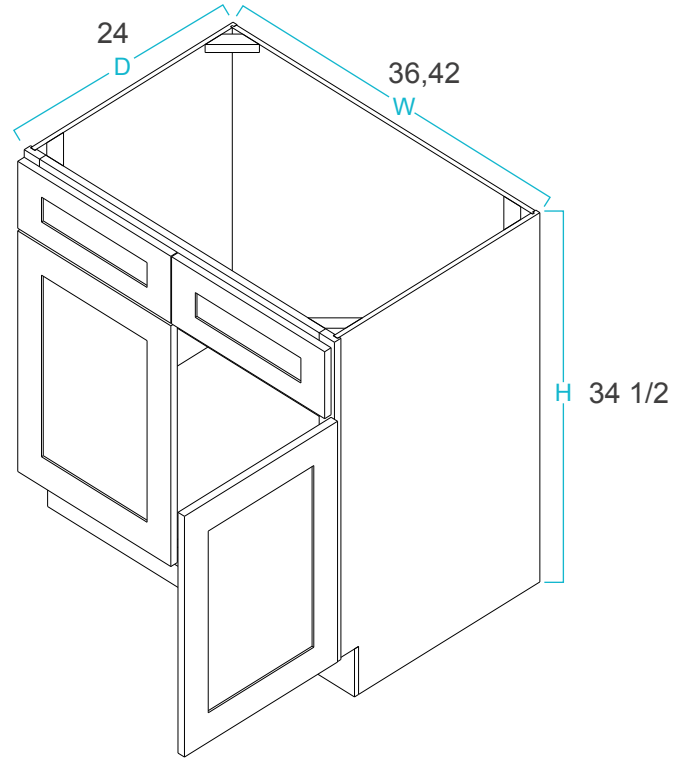


- 34 1/2" tall cabinets have one adjustable shelf.
- Has center stile.

**B39**  
**B42**

SKU	Cabinet Box			Cabinet Doors				Drawer Head				Drawer Box			
	W	H	D	W	H	D	QTY	W	H	D	QTY	W	H	D	QTY
B39	39	34 1/2	24	19 1/8	22	7/8	2	19 1/8	6 3/4	7/8	2	16	4	21	2
B42	42	34 1/2	24	20 1/2	22	7/8	2	20 1/2	6 3/4	7/8	2	17 1/2	4	21	2

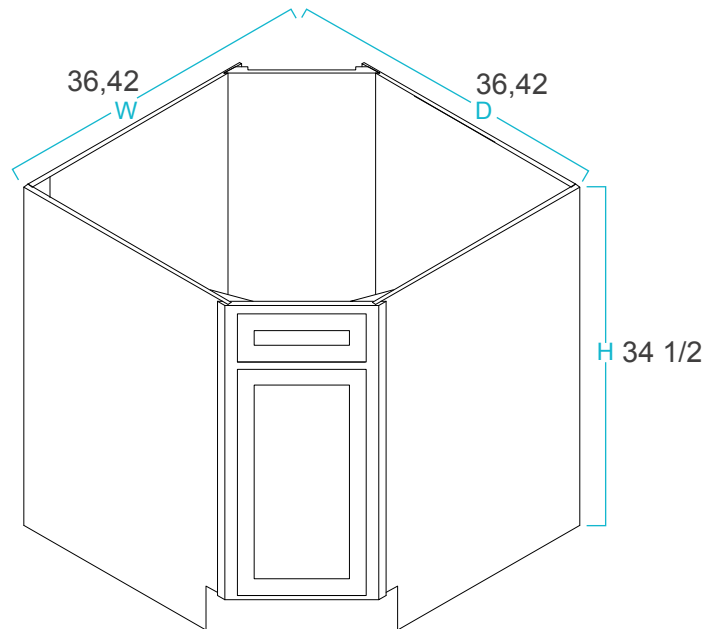
### Sink Base Cabinets



**SB36**  
**SB42**

SKU	Cabinet Box			Cabinet Doors				Drawer Head			
	W	H	D	W	H	D	QTY	W	H	D	QTY
SB36	36	34 1/2	24	17 3/4	22	7/8	2	17 3/4	6 3/4	7/8	2
SB42	42	34 1/2	24	20 1/2	22	7/8	2	20 1/2	6 3/4	7/8	2

### Corner Sink Base



**CSB36**  
**CSB42**

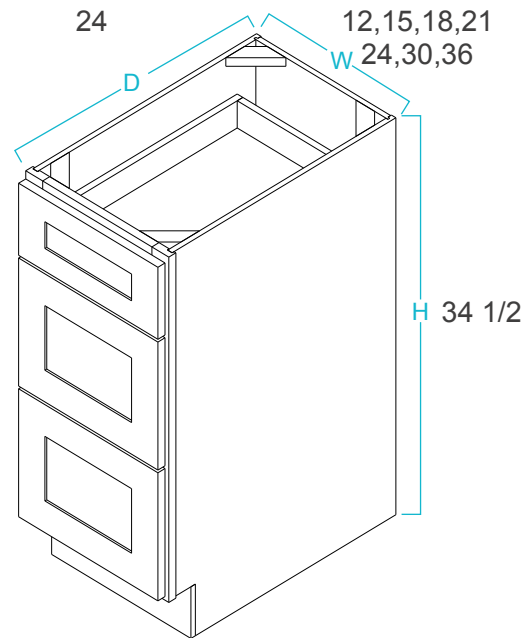
SKU	Cabinet Box			Cabinet Doors				Drawer Head			
	W	H	D	W	H	D	QTY	W	H	D	QTY
CSB36	36	34 1/2	36	14 1/2	22	7/8	1	14 1/2	6 3/4	7/8	1
CSB42	42	34 1/2	42	23 1/2	22	7/8	1	23 1/2	6 3/4	7/8	1

# Cabinet Specification

Base

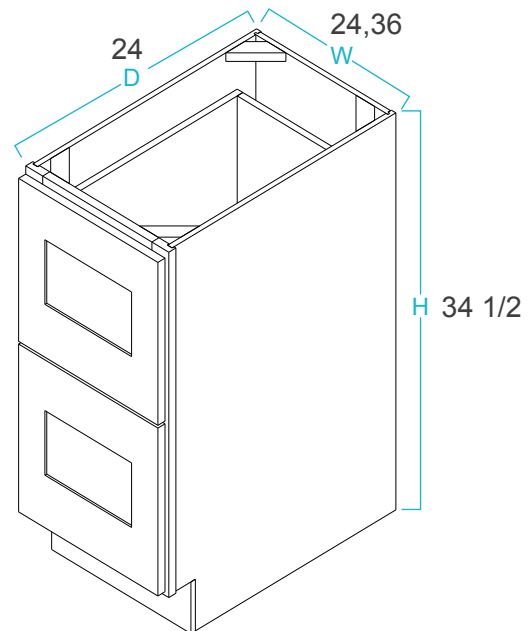
## Drawer Base Cabinets

DB123  
DB153  
DB183  
DB213  
DB243  
DB303  
DB363



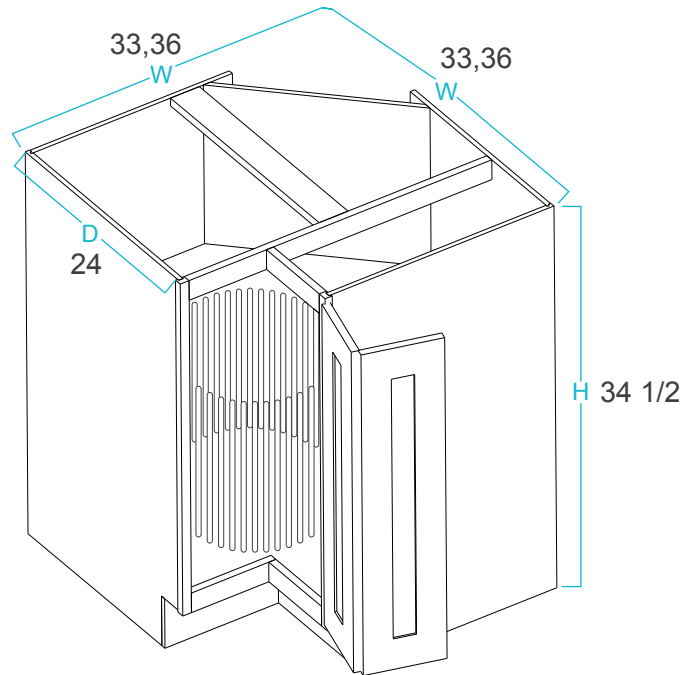
	Cabinet Box			Top Drawer Head				Bottom Drawer Heads				Top Drawer Box				Bottom Drawer Boxes			
	W	H	D	W	H	D	QTY	W	H	D	QTY	W	H	D	QTY	W	H	D	QTY
DB123	12	34 1/2	24	11 1/2	6 3/4	7/8	1	11 1/2	10 3/4	7/8	2	8 1/2	4	21	1	8 1/2	7 1/2	21	2
DB153	15	34 1/2	24	14 1/2	6 3/4	7/8	1	14 1/2	10 3/4	7/8	2	11 1/2	4	21	1	11 1/2	7 1/2	21	2
DB183	18	34 1/2	24	17 1/2	6 3/4	7/8	1	17 1/2	10 3/4	7/8	2	14 1/2	4	21	1	14 1/2	7 1/2	21	2
DB213	21	34 1/2	24	20 1/2	6 3/4	7/8	1	20 1/2	10 3/4	7/8	2	17 1/2	4	21	1	17 1/2	7 1/2	21	2
DB243	24	34 1/2	24	23 1/2	6 3/4	7/8	1	23 1/2	10 3/4	7/8	2	20 1/2	4	21	1	20 1/2	7 1/2	21	2
DB303	30	34 1/2	24	29 1/2	6 3/4	7/8	1	29 1/2	10 3/4	7/8	2	26 1/2	4	21	1	26 1/2	7 1/2	21	2
DB363	36	34 1/2	24	35 1/2	6 3/4	7/8	1	35 1/2	10 3/4	7/8	2	32 1/2	4	21	1	32 1/2	7 1/2	21	2

DB242  
DB362



SKU	Cabinet Box			Top Drawer Heads				Bottom Drawer Head				Top Drawer Box				Bottom Drawer Boxes			
DB242	24	34 1/2	24	23 1/2	14 3/8	7/8	1	23 1/2	14 3/8	7/8	2	20 1/2	11	21	1	20 1/2	11	21	1
DB362	36	34 1/2	24	35 1/2	14 3/8	7/8	1	35 1/2	14 3/8	7/8	2	32 1/2	11	21	1	32 1/2	11	21	1

### Lazy Susan Base Cabinets

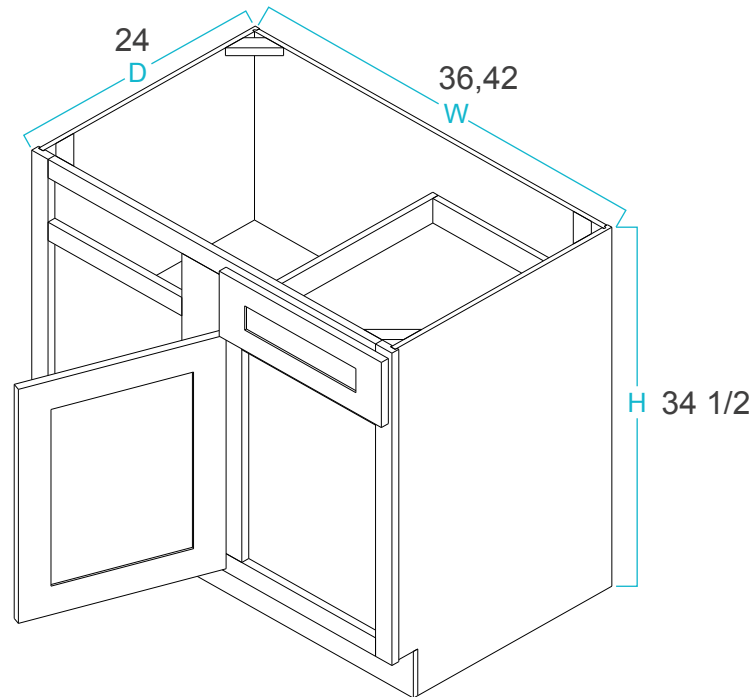


- Comes with stainless steel wire basket carousel.

**LS33**  
**LS36**

SKU	Cabinet Box			Cabinet Doors			QTY
	W	H	D	W	H	D	
LS33	33	34 1/2	24	7 3/4	29 1/4	7/8	2
LS36	36	34 1/2	24	10 3/4	29 1/4	7/8	2

### Blind Base Corner Cabinets

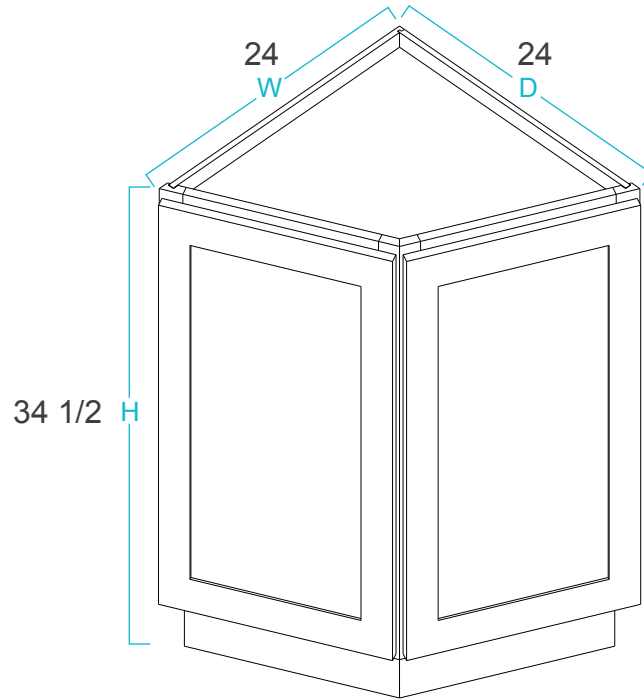


- 34 1/2" tall cabinets have one adjustable shelf.
- L and R refer to blind side.
- L cabinet is shown.
- All blind base cabinets must be pulled 3".
- Door opening is 9" for BLB36/39 & 15" for BLB42/45.

**BLB36/39L**  
**BLB42/45L**  
**BLB36/39R**  
**BLB42/45R**

SKU	Cabinet Box			Cabinet Doors			Drawer Head			Drawer Box		
	W	H	D	W	H	D	W	H	D	W	H	D
BLB36/39L	36	34 1/2	24	11 1/2	22	7/8	11 1/2	6 3/4	7/8	8 1/2	4	21
BLB42/45L	42	34 1/2	24	17 1/2	27	7/8	17 1/2	6 3/4	7/8	14 1/2	4	21
BLB36/39R	36	34 1/2	24	11 1/2	22	7/8	11 1/2	6 3/4	7/8	8 1/2	4	21
BLB42/45R	42	34 1/2	24	17 1/2	27	7/8	17 1/2	6 3/4	7/8	14 1/2	4	21

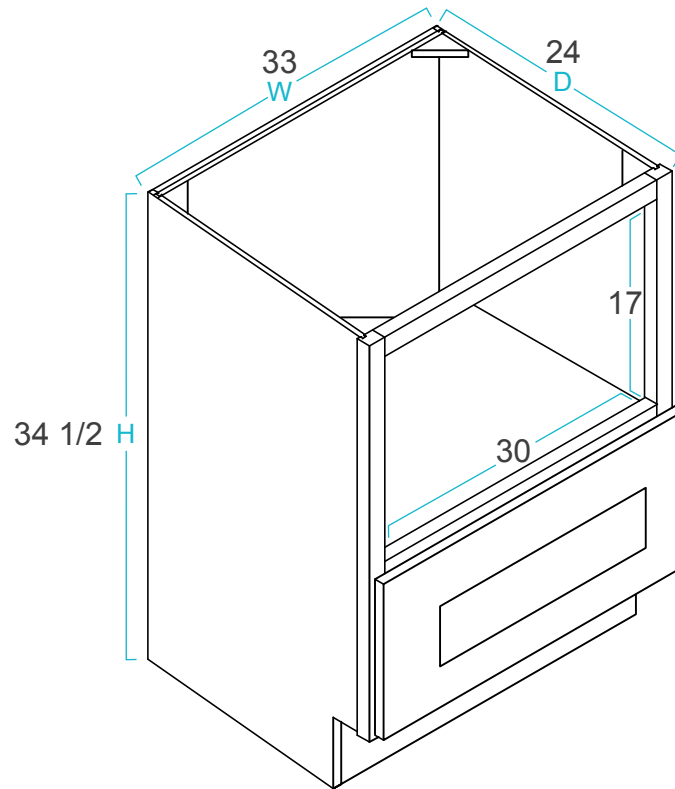
### Angle Base Cabinets



#### AB24

SKU	Cabinet Box			Cabinet Doors			
	W	H	D	W	H	D	QTY
AB24	24	34 1/2	24	17 7/8	29 1/4	7/8	2

### Microwave Base Cabinets



#### MB33

SKU	Cabinet Box			Cabinet Drawer				Drawer Box			
	W	H	D	W	H	D	QTY	W	H	D	QTY
MB33	33	34 1/2	24	32 1/2	10 3/4	7/8	1	29 1/2	7	21	1

- Filler can be used to accommodate smaller microwaves.

## 18" Utility Cabinets

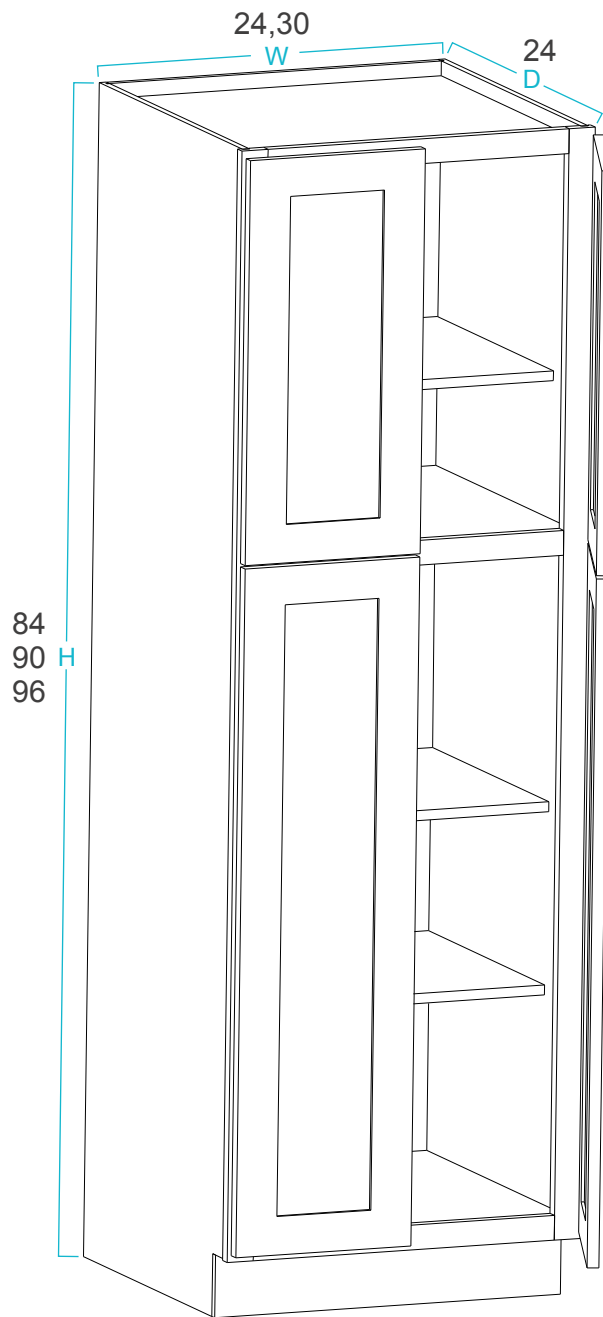


U188424  
U189024  
U189624

- 84", 90" & 96 tall cabinets have three adjustable shelves.

SKU	Cabinet Box			Top Cabinet Doors				Bottom Cabinet Doors			
	W	H	D	W	H	D	QTY	W	H	D	QTY
U188424	18	84	24	17 1/2	29	7/8	1	17 1/2	49 1/4	7/8	1
U189024	18	90	24	17 1/2	35	7/8	1	17 1/2	49 1/4	7/8	1
U189624	18	96	24	17 1/2	41	7/8	1	17 1/2	49 1/4	7/8	1

## 24"/30" Utility Cabinets

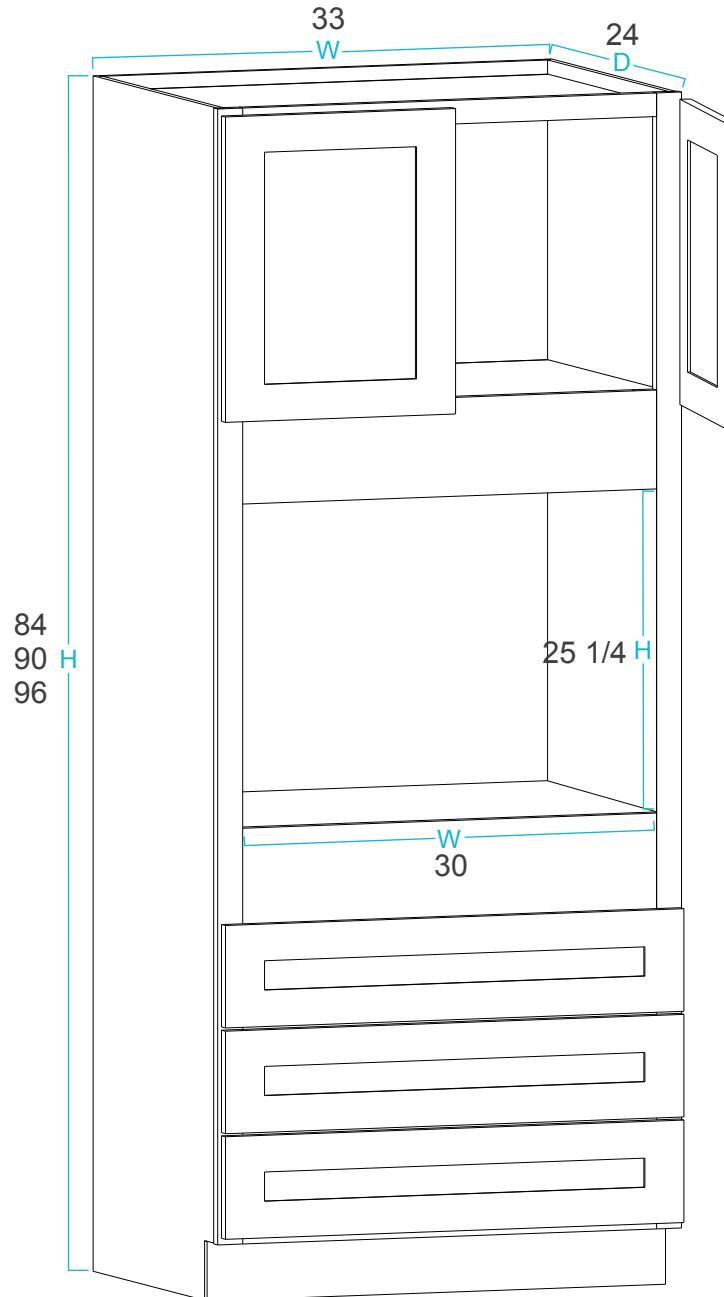


**U248424**  
**U249024**  
**U249624**  
**U308424**  
**U309024**  
**U309624**

• 84",90" & 96 tall cabinets have three adjustable shelf.

SKU	Cabinet Box			Top Cabinet Doors				Bottom Cabinet Doors			
	W	H	D	W	H	D	QTY	W	H	D	QTY
U248424	24	84	24	11 3/4	29	7/8	2	11 3/4	49 1/4	7/8	2
U249024	24	90	24	11 3/4	35	7/8	2	11 3/4	49 1/4	7/8	2
U249624	24	96	24	11 3/4	41	7/8	2	11 3/4	49 1/4	7/8	2
U308424	30	84	24	14 5/8	29	7/8	2	14 5/8	49 1/4	7/8	2
U309024	30	90	24	14 5/8	35	7/8	2	14 5/8	49 1/4	7/8	2
U309624	30	96	24	14 5/8	41	7/8	2	14 5/8	49 1/4	7/8	2

## 33" Universal Oven Cabinets

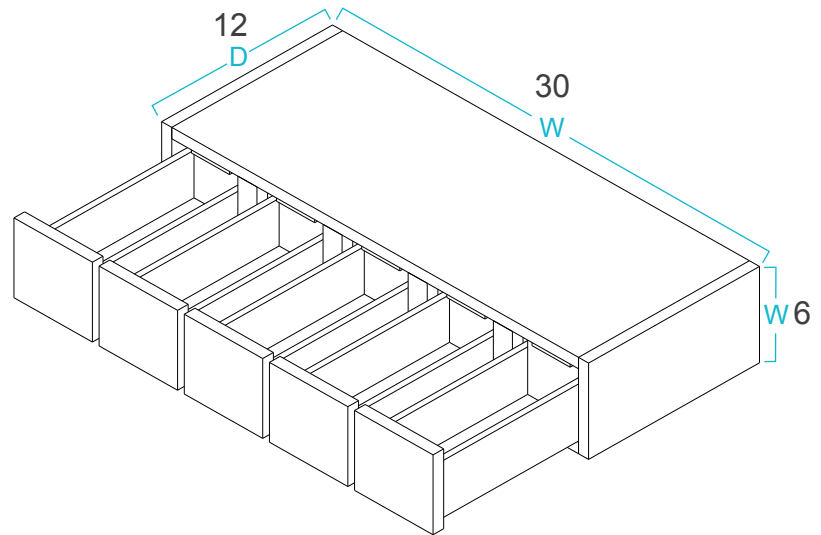


O338424  
O339024  
O339624

- Opening is 30" W x 25 1/4" H.
- Drawers can be removed to accomodate large ovens.
- Fillers can be used to accommodate smaller ovens.

SKU	Cabinet Box			Cabinet Doors				Drawer Head				Drawer Box			
	W	H	D	W	H	D	QTY	W	H	D	QTY	W	H	D	QTY
O338424	33	84	24	16 1/4	17	7/8	2	32 1/2	8	7/8	3	29 1/2	5 1/8	21	3
O339024	33	90	24	16 1/4	23	7/8	2	32 1/2	8	7/8	3	29 1/2	5 1/8	21	3
O339624	33	96	24	16 1/4	29	7/8	2	32 1/2	8	7/8	3	29 1/2	5 1/8	21	3

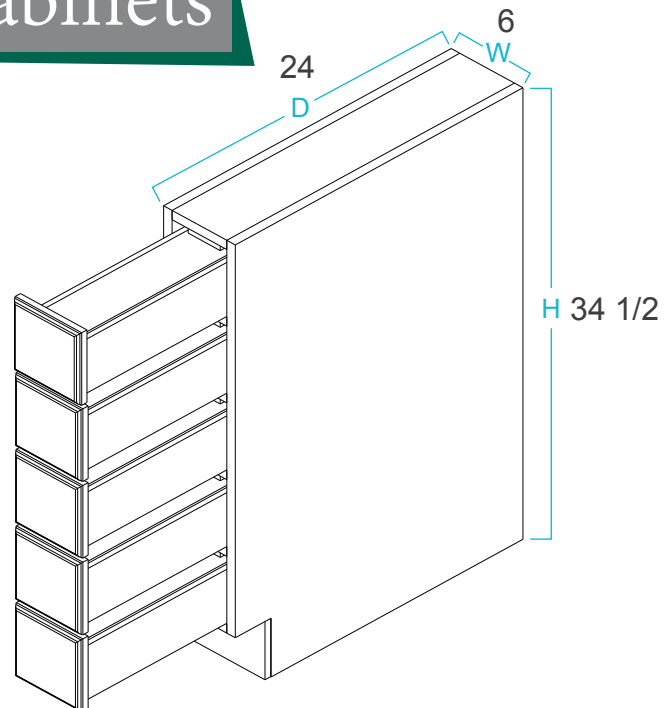
### Wall Spice Drawer Cabinets



**WSD630**

SKU	Cabinet Box			Drawer Heads				Drawer Boxes			
	W	H	D	W	H	D	QTY	W	H	D	QTY
WSD630	30	6	12	5 3/4	5 1/2	7/8	5	4 3/4	3 5/8	10	5

### Base Spice Drawer Cabinets



**BSDC6**

SKU	Cabinet Box			Drawer Heads				Drawer Boxes			
	W	H	D	W	H	D	QTY	W	H	D	QTY
BSDC6	6	34 1/2	24	5 1/2	5 3/4	7/8	5	4 1/4	3 5/8	21	5

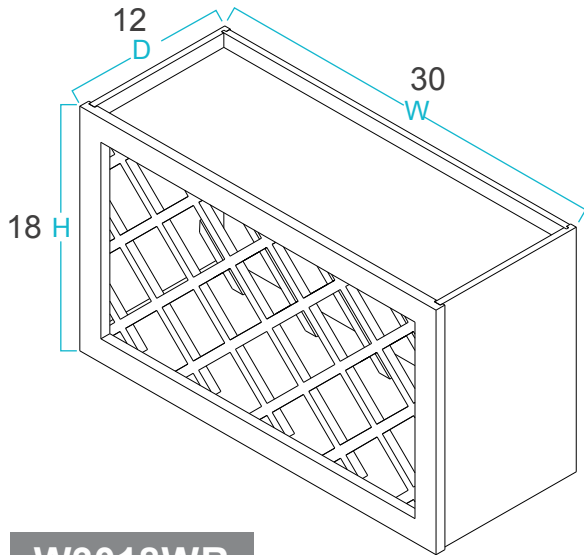
• Drawers do not have glides for the BSDC6 and WSD630

# Cabinet Specification

Accessories

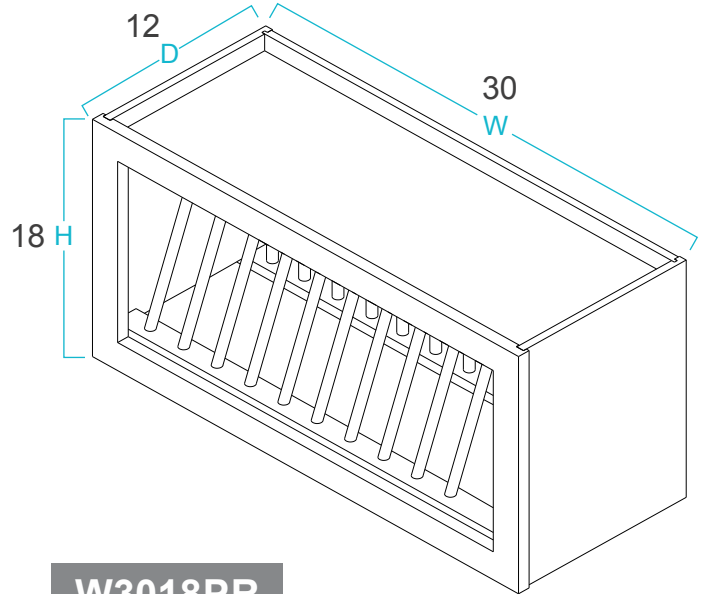
## Wine Rack Cabinets

## Plate Rack



**W3018WR**

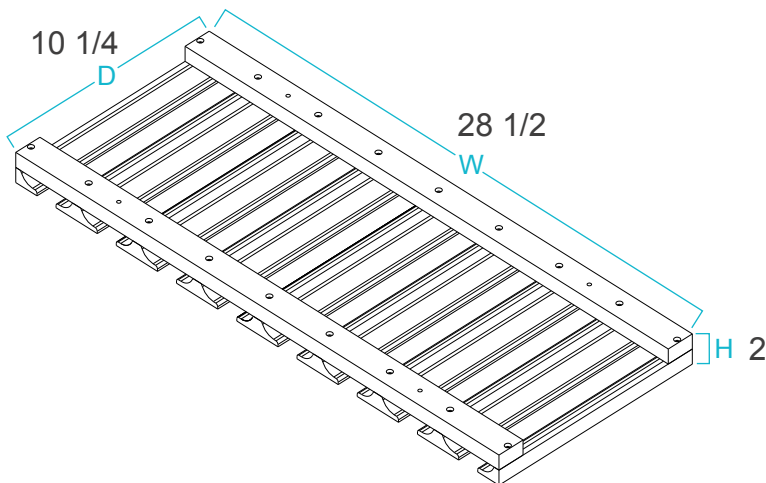
SKU	Cabinet Box		
	W	H	D
W3018WR	30	18	12



**W3018PR**

SKU	Cabinet Box		
	W	H	D
W3018PR	30	18	12

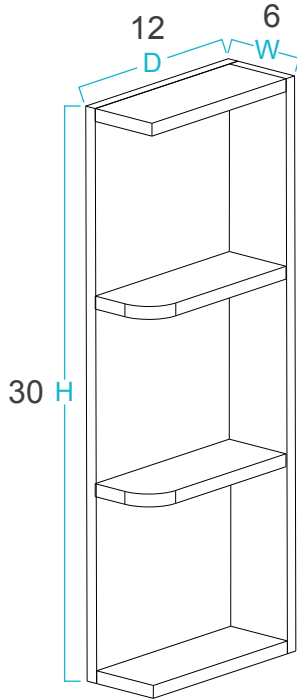
## Stem Glass Holder



**SGH30**

SKU	Cabinet Box		
	W	H	D
SGH30	28 1/2	2	10 1/4

## Wall End Shelf

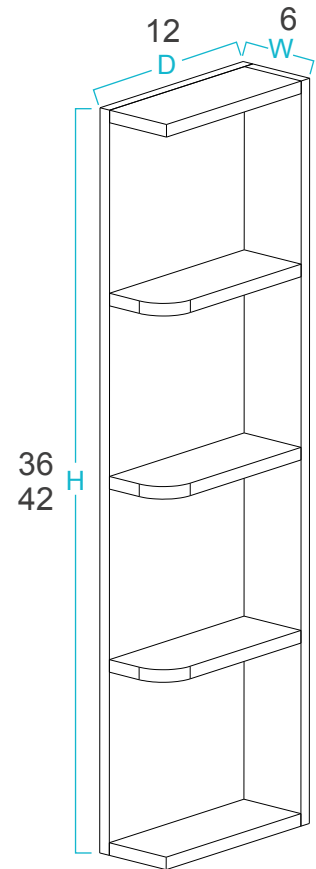


### WESR630

SKU	Cabinet Box		
	W	H	D
WESR630	6	30	12

### WESR636 WESR642

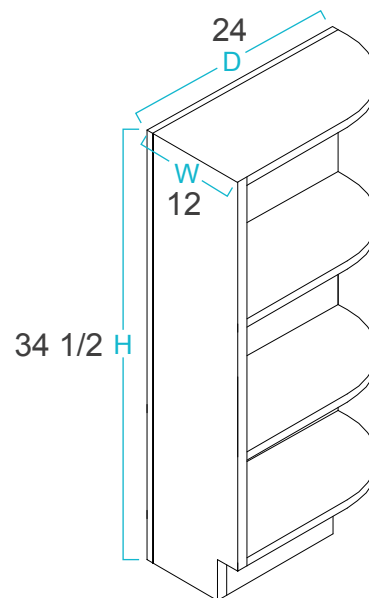
SKU	Cabinet Box		
	W	H	D
WESR636	6	36	12
WESR642	6	42	12



## Base End Shelf

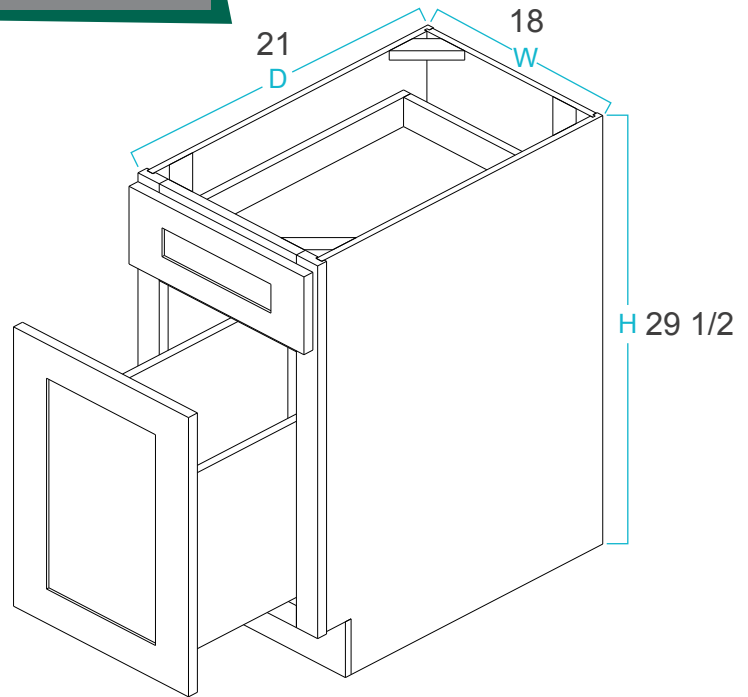
### BES24L BES24R

SKU	Cabinet Box		
	W	H	D
BES24L	12	34 1/2	24
BES24R	12	34 1/2	24



- BES24L is shown in picture.

## Drawer File Base Cabinets

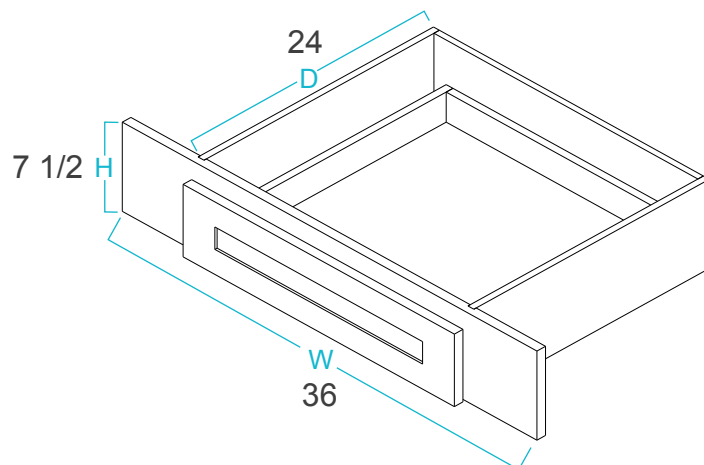


**DFB18**

- Cabinet is 29.5" tall.

SKU	Cabinet Box			Top Drawer Head				Bottom Drawer Head				Top Drawer Box				Bottom Drawer Box			
	W	H	D	W	H	D	QTY	W	H	D	QTY	W	H	D	QTY	W	H	D	QTY
DFB18	18	29 1/2	21	17 1/2	6 3/4	7/8	1	17 1/2	17	7/8	1	14 1/2	4	18	1	14 1/2	13 3/4	18	1

## Desk Drawer



**DSK30/36**

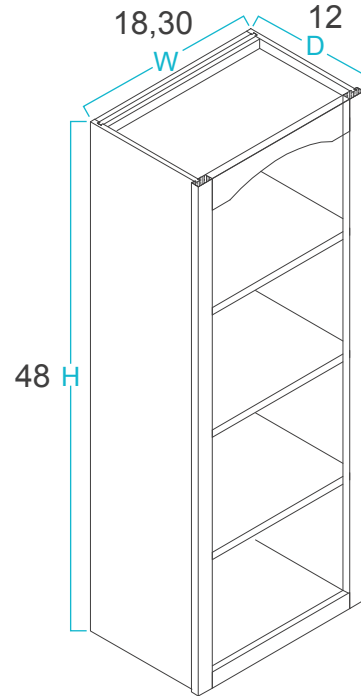
- Can be trimmed from 3036" wide.

SKU	Cabinet Box			Drawer Head				Drawer Box			
	W	H	D	W	H	D	QTY	W	H	D	QTY
DSK30/36	36	7 1/2	24	29 1/2	6 3/4	7/8	1	26 1/2	3 1/2	21	1

## Book Case

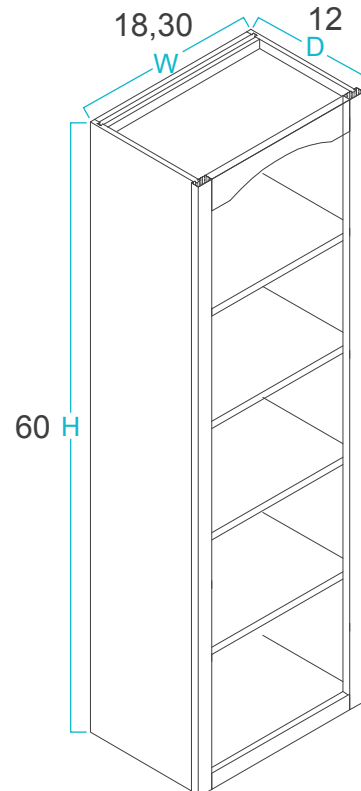
**BC1848**  
**BC3048**

SKU	Cabinet Box		
	W	H	D
BC1848	18	48	12
BC3048	30	48	12



**BC1860**  
**BC3060**

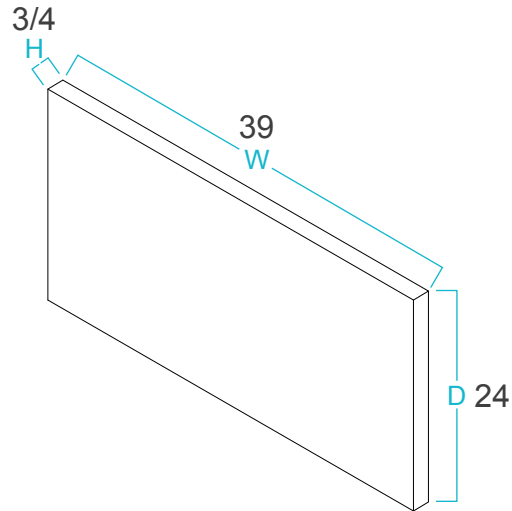
SKU	Cabinet Box		
	W	H	D
BC1860	18	60	12
BC3060	30	60	12



### Shelf Kit

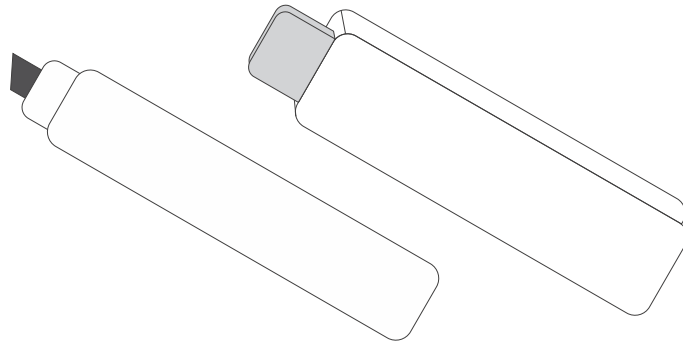
**SKIT24**

SKU	W	H	D
SKIT	39	3/4	24



### Touch Up Kit

**TUK**

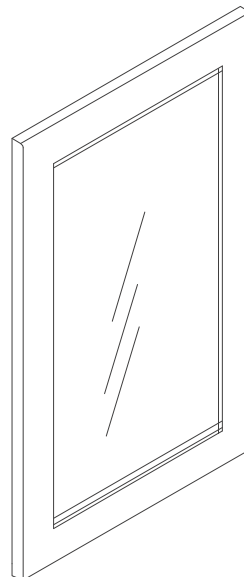


Comes with: PUDDY STICK | MARKER

### Mirror Frame Kit

- Comes with 4 pieces of 48" door rail stock.
- Can be cut to any size.
- Mirror not included.

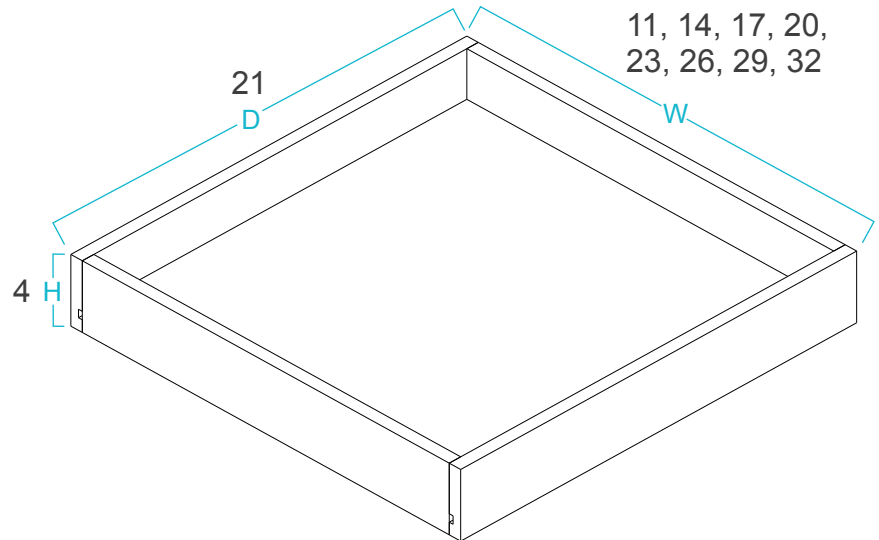
**MFK48**



### Roll Out Shelf

RS15  
RS18  
RS21  
RS24  
RS27  
RS30  
RS33  
RS36

SKU	Cabinet Box		
	W	H	D
RS15	11	4	21
RS18	14	4	21
RS21	17	4	21
RS24	20	4	21
RS27	23	4	21
RS30	26	4	21
RS33	29	4	21
RS36	32	4	21

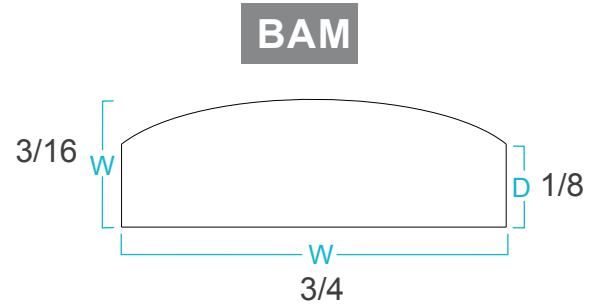
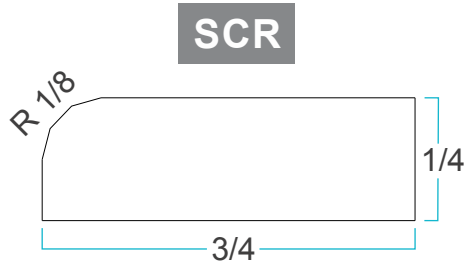


# Cabinet Specification

## Panels, Fillers & Trims

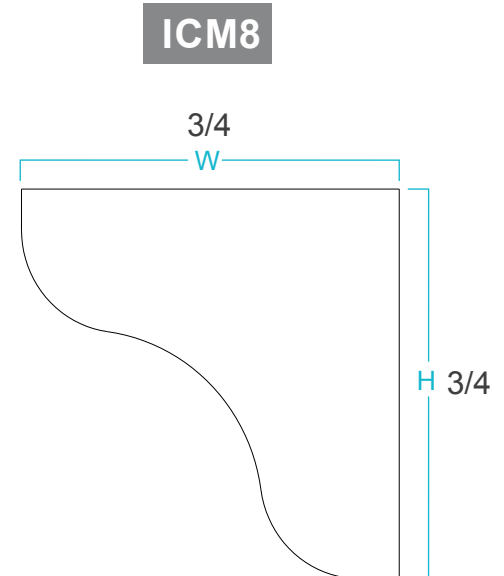
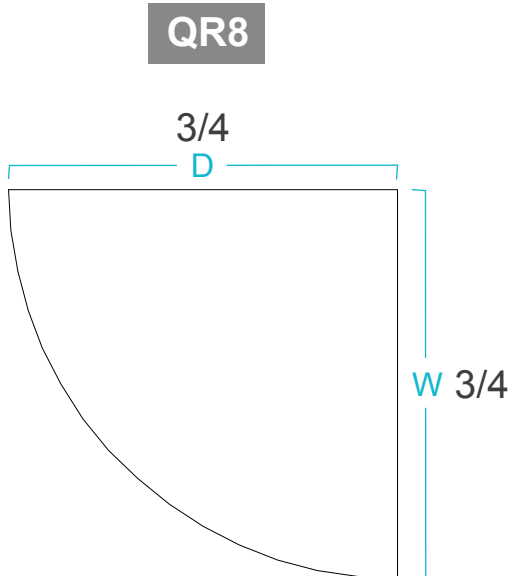
### Scribe Molding

### Batten Molding



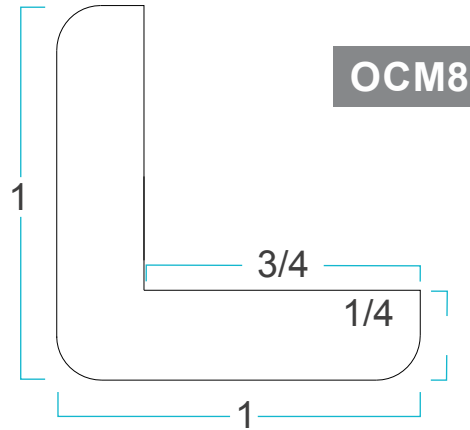
### Quarter Round Molding

### Inside Corner Molding

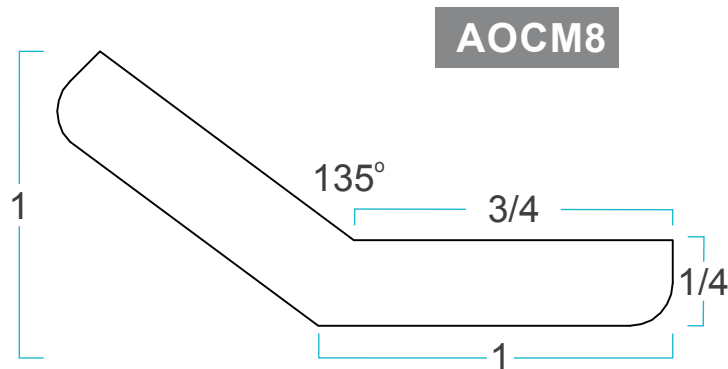


\*Trims sold in 8' long lengths.

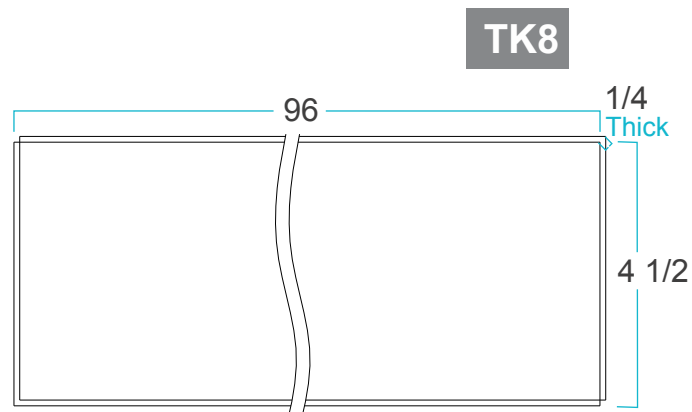
# Outside Corner Molding



# Angle Outside Corner Molding



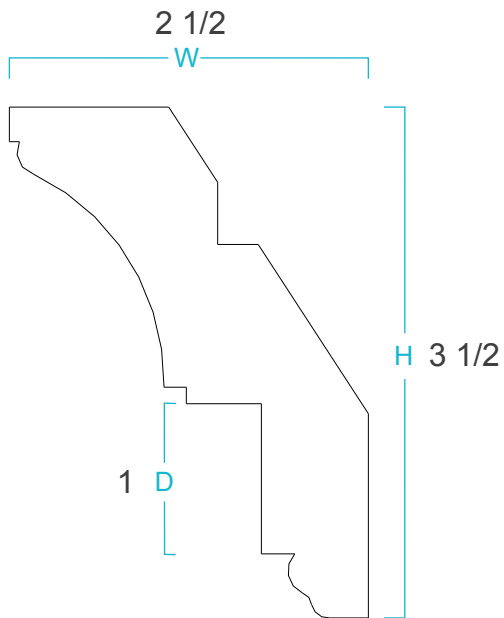
# Toe Kick



\*Trims sold in 8' long lengths.

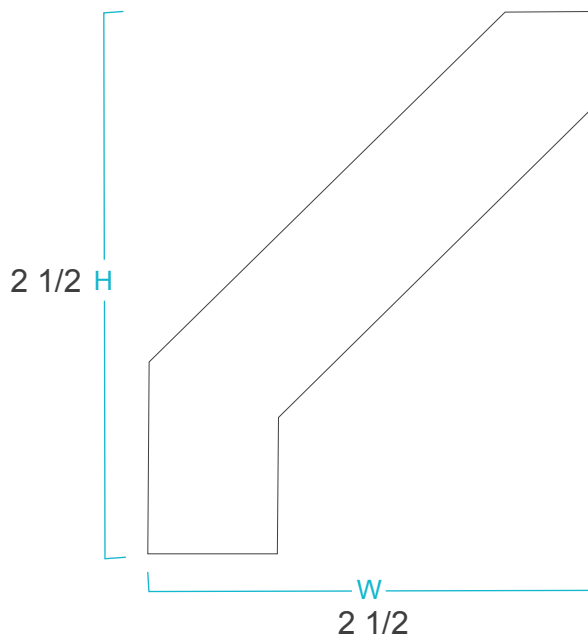
### Crown Molding

**LCM8**

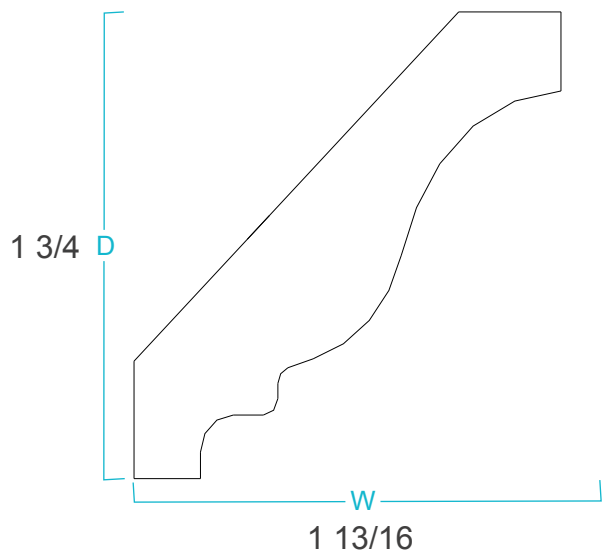


- Apply optional RM8 or DM8

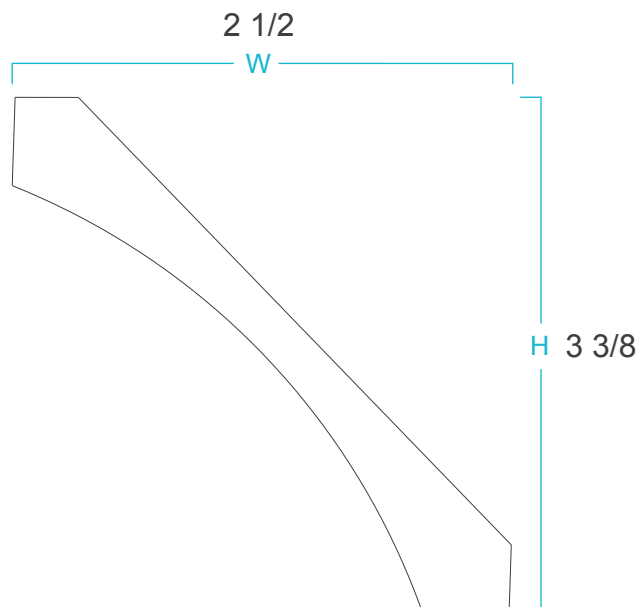
**ACM8**



**CM8**



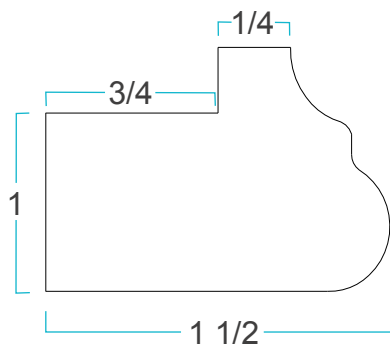
**COV8**



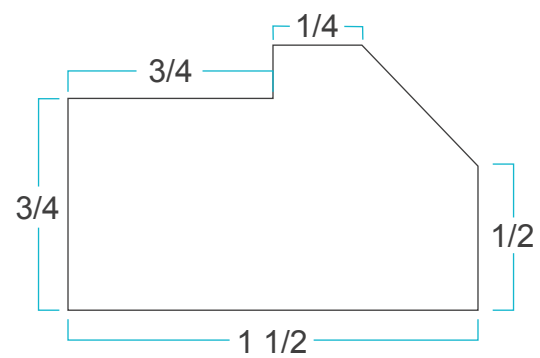
\*Trims sold in 8' long lengths.

### Light Rail Molding

LRM8

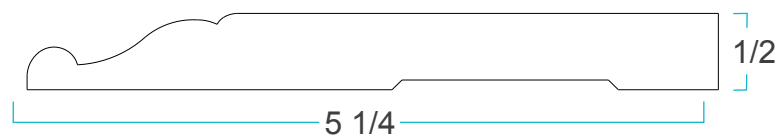


ALRM8



### Furniture Base Molding

FBM8

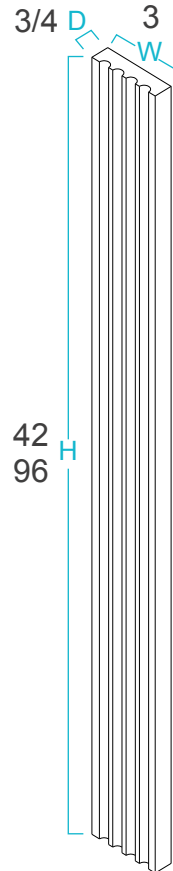
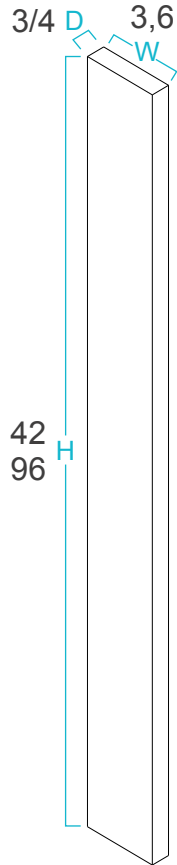


\*Trims sold in 8' long lengths.

### Filler / Fluted Filler

F342  
F642  
F396  
F696

SKU	W	H	D
F342	3	42	3/4
F642	6	42	3/4
F396	3	96	3/4
F696	6	96	3/4



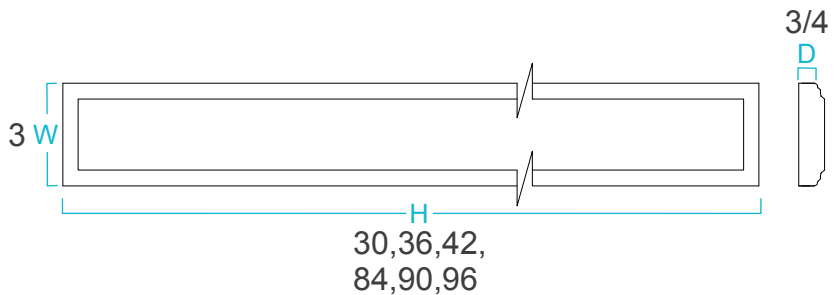
FF342  
FF396

SKU	W	H	D
FF342	3	42	3/4
FF396	3	96	3/4

### Overlay Wall Filler

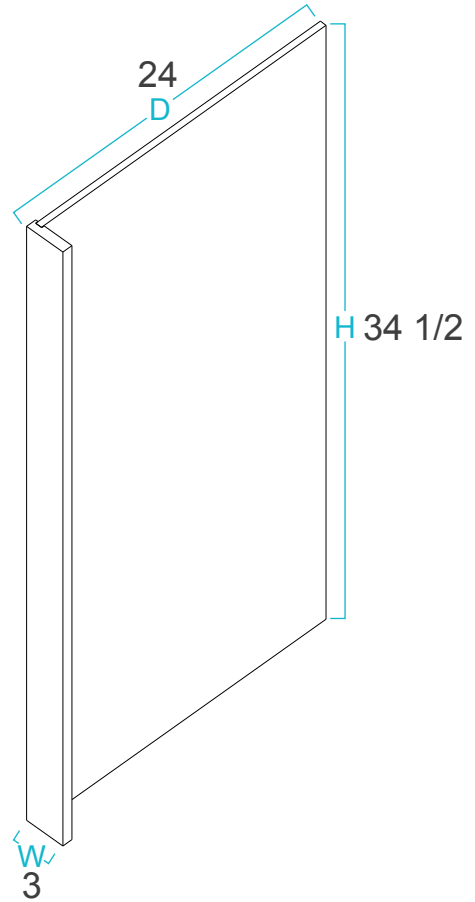
OWF330  
OWF336  
OWF342  
OWF384  
OWF390  
OWF396

SKU	W	H	D
OWF330	3	30	3/4
OWF336	3	36	3/4
OWF342	3	42	3/4
OWF384	3	84	3/4
OWF390	3	90	3/4
OWF396	3	96	3/4



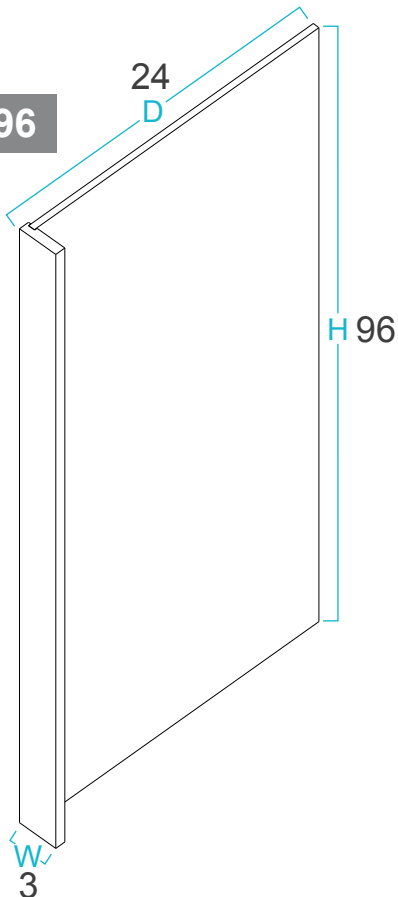
**Dishwasher Return Panel**

**DWR3**

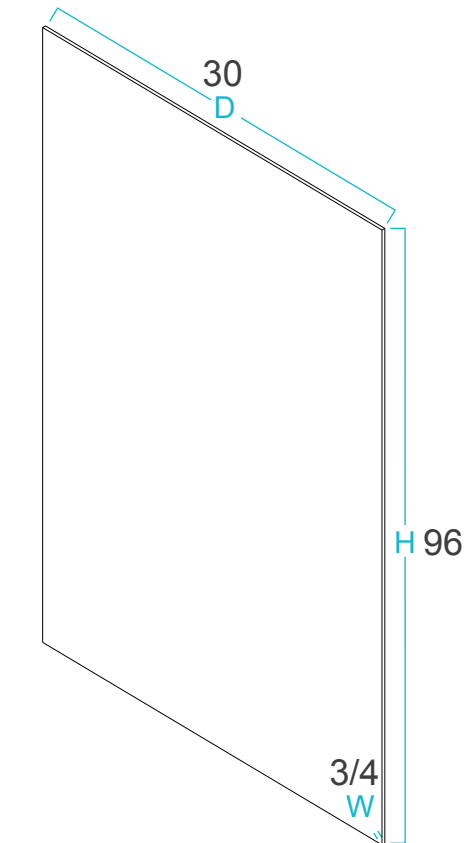


**Refrigerator End Panel**

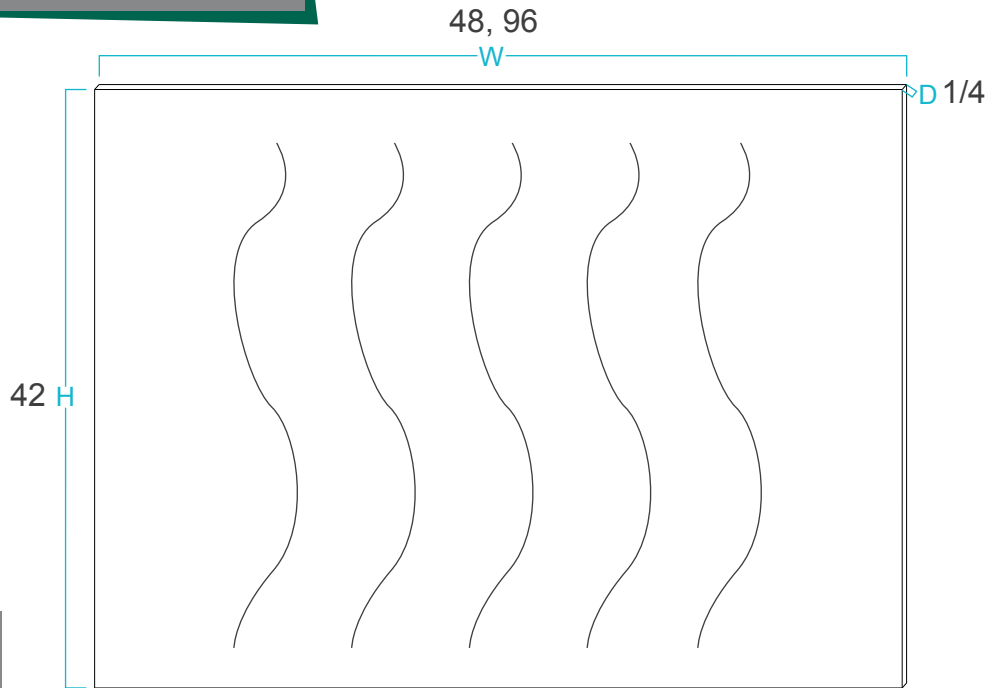
**REP396**



**UREP96**

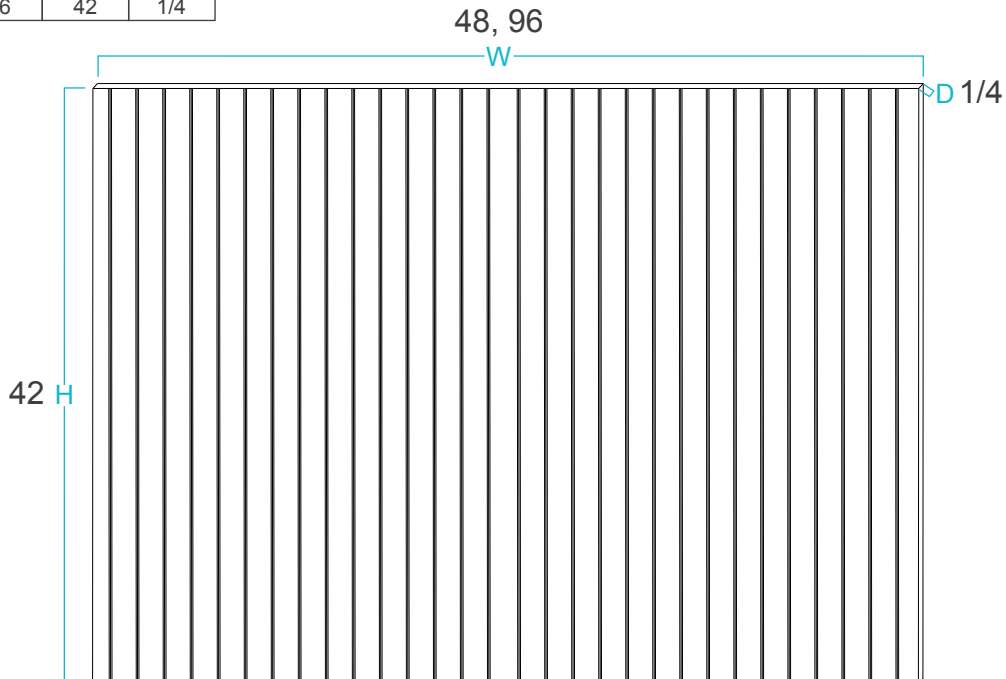


### Finished Panels



**PLY4248**  
**PLY4296**

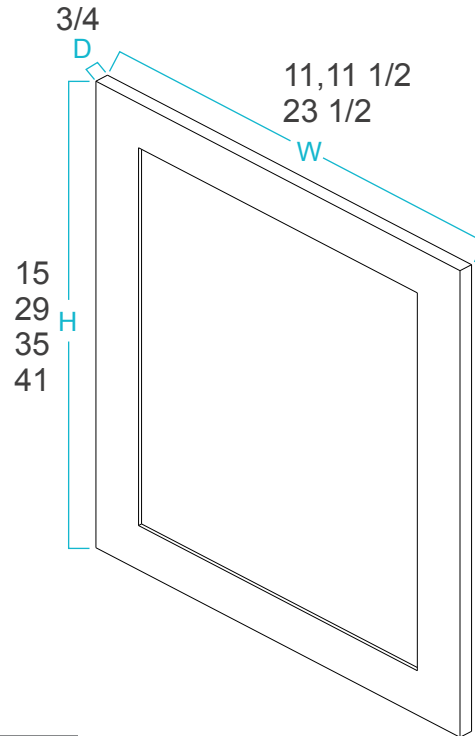
SKU	Cabinet Box		
	W	H	D
PLY4248	48	42	1/4
PLY4296	96	42	1/4



**BB4248**  
**BB4296**

SKU	Cabinet Box		
	W	H	D
BB4248	48	42	1/4
BB4296	96	42	1/4

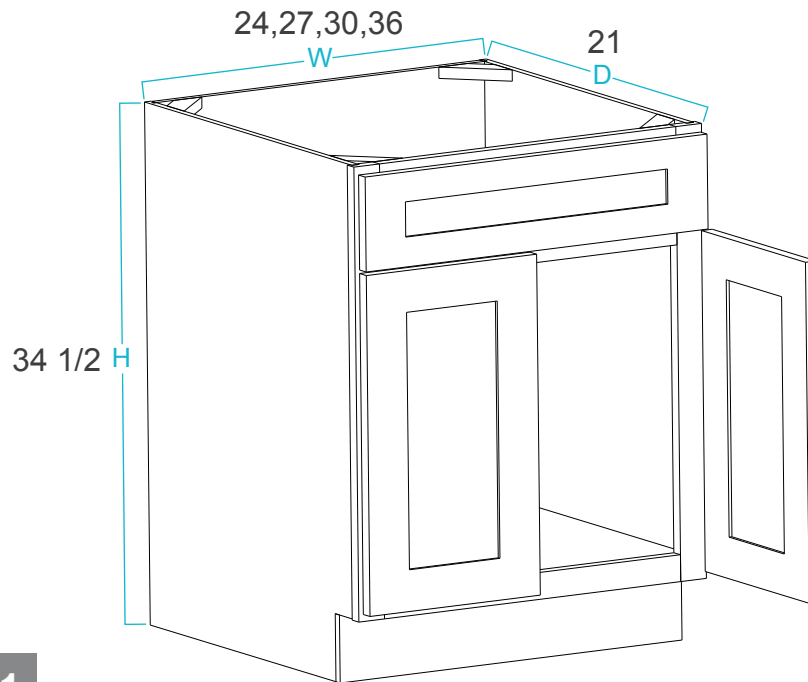
### Decorative False Doors



**BDD24**  
**WDD630**  
**WDD30**  
**WDD36**  
**WDD42**

SKU	Cabinet Box		
	W	H	D
BDD24	$23\ 1/2$	29	$7/8$
WDD630	$5\ 1/2$	29	$7/8$
WDD30	$11\ 1/2$	29	$7/8$
WDD36	$11\ 1/2$	35	$7/8$
WDD42	$11\ 1/2$	41	$7/8$
Sample Door	11	15	$7/8$

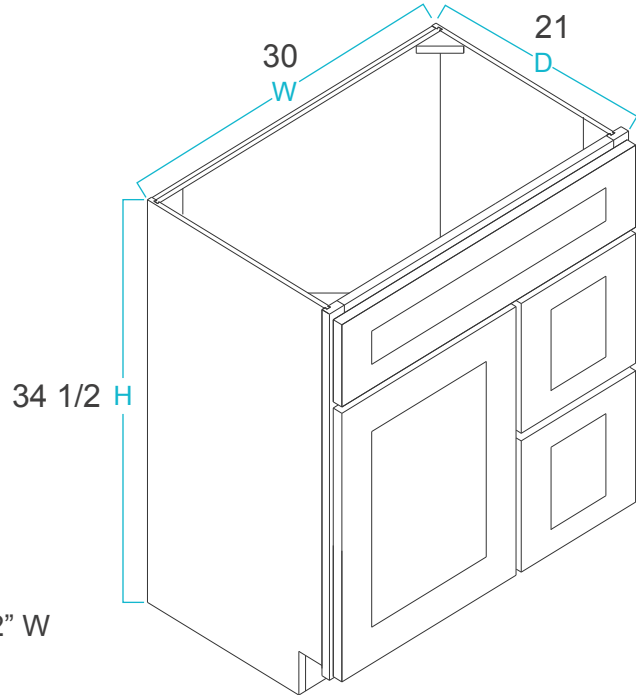
### Vanity Sink Base Cabinets



V2421  
V2721  
V3021  
V3621

SKU	Cabinet Box			Cabinet Doors				Drawer Head			
	W	H	D	W	H	D	QTY	W	H	D	QTY
V2421	24	34 1/2	21	11 3/4	22	7/8	2	23 1/2	6 3/4	7/8	1
V2721	27	34 1/2	21	13 1/4	22	7/8	2	26 1/2	6 3/4	7/8	1
V3021	30	34 1/2	21	14 5/8	22	7/8	2	29 1/2	6 3/4	7/8	1
V3621	36	34 1/2	21	17 3/4	22	7/8	2	35 1/2	6 3/4	7/8	1

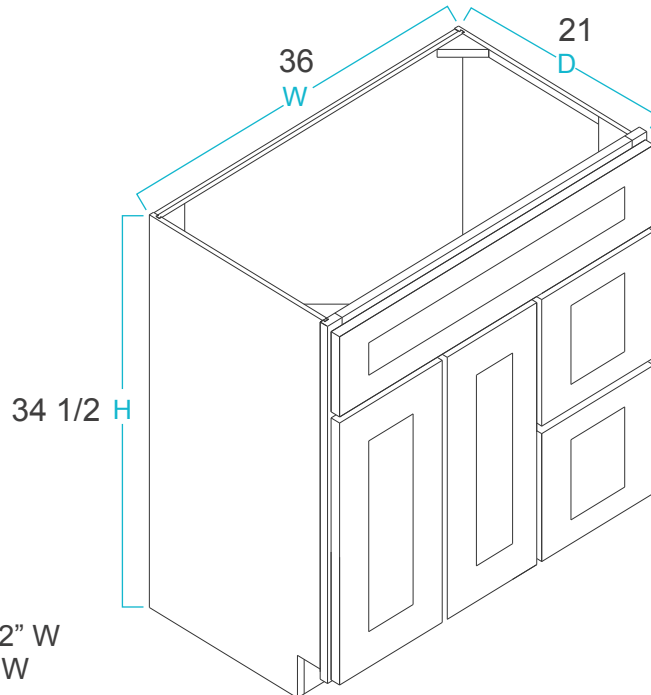
### Vanity Sink Base Combo Cabinets



**V3021DR**

- Drawers are 11 1/2" W
- Door is 17 1/2" W

SKU	Cabinet Box			False Drawer Head				Operable Drawer Head				Operable Drawer Boxes			
	W	H	D	W	H	D	QTY	W	H	D	QTY	W	H	D	QTY
V3021DR	30	34 1/2	21	29 1/2	6 3/4	7/8	1	11 1/2	10 3/4	7/8	2	8 1/2	7	18	2

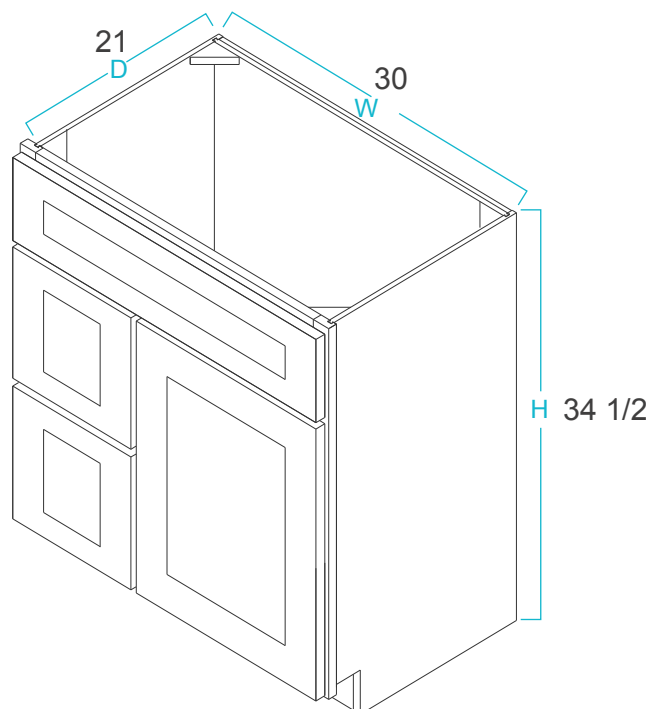


**V3621DR**

- Drawers are 11 1/2" W
- Doors are 11 3/4" W

SKU	Cabinet Box			False Drawer Head				Operable Drawer Head				Operable Drawer Boxes			
	W	H	D	W	H	D	QTY	W	H	D	QTY	W	H	D	QTY
V3621DR	36	34 1/2	21	35 1/2	6 3/4	7/8	1	11 1/2	10 3/4	7/8	2	8 1/2	7	18	2

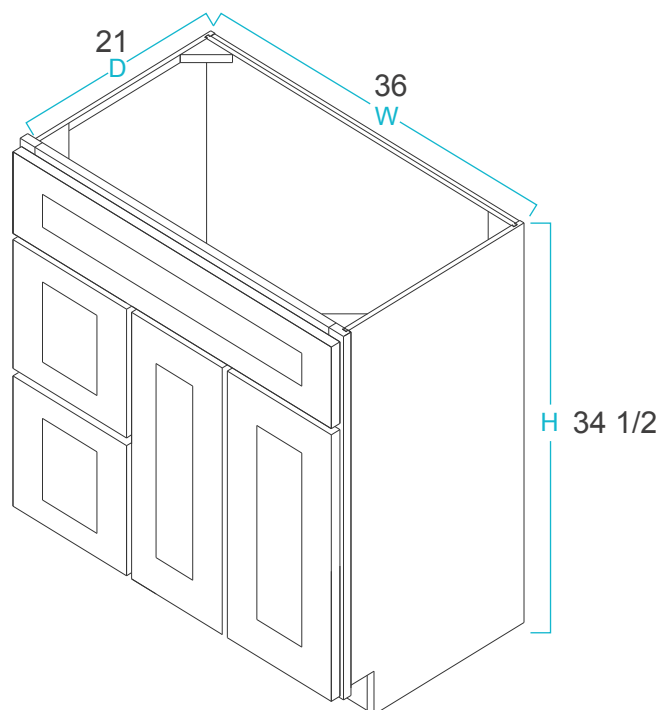
### Vanity Sink Base Combo Cabinets



**V3021DL**

- Drawers are 11 1/2" W
- Door is 17 1/2" W

SKU	Cabinet Box			False Drawer Head				Operable Drawer Head				Operable Drawer Boxes			
	W	H	D	W	H	D	QTY	W	H	D	QTY	W	H	D	QTY
V3021DL	30	34 1/2	21	29 1/2	6 3/4	7/8	1	11 1/2	10 3/4	7/8	2	8 1/2	7	18	2

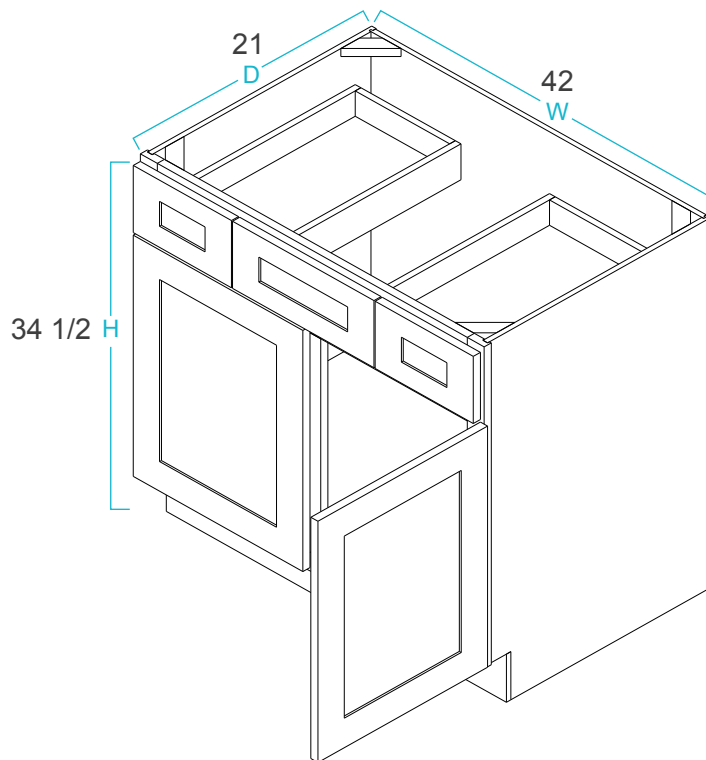


**V3621DL**

- Drawers are 11 1/2" W
- Doors are 11 3/4" W

SKU	Cabinet Box			False Drawer Head				Operable Drawer Head				Operable Drawer Boxes			
	W	H	D	W	H	D	QTY	W	H	D	QTY	W	H	D	QTY
V3621DL	36	34 1/2	21	35 1/2	6 3/4	7/8	1	11 1/2	10 3/4	7/8	2	8 1/2	7	18	2

### Vanity Sink Base Combo Cabinets

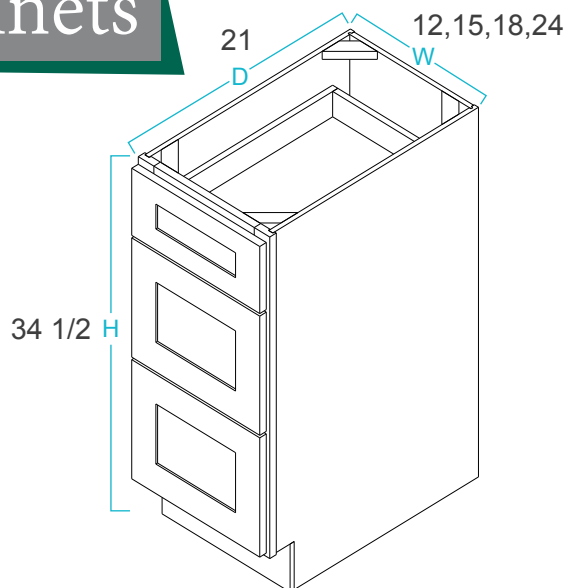


**VB4221**

- Drawers are 10" W
- Doors are 20 1/2" W

SKU	Cabinet Box			Middle Drawer Head				Operable Drawer Head				Operable Drawer Boxes				Cabinet Doors			
	W	H	D	W	H	D	QTY	W	H	D	QTY	W	H	D	QTY	W	H	D	QTY
VB4221	42	34 1/2	21	20 1/2	6 2/4	7/8	2	10	6 3/4	7/8	2	7	4	18	1	20 1/2	22	7/8	2

### Vanity Drawer Base Cabinets



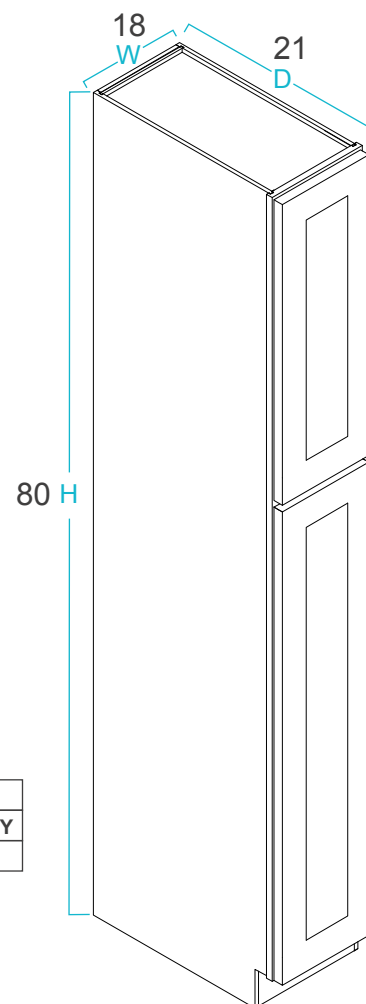
**VDB123**  
**VDB153**  
**VDB183**  
**VDB243**

SKU	Cabinet Box			Drawer Head				Drawer Head				Top Drawer Box				Bottom Drawer Boxes			
	W	H	D	W	H	D	QTY	W	H	D	QTY	W	H	D	QTY	W	H	D	QTY
VDB123	12	34 1/2	21	11 1/2	6 3/4	7/8	1	11 1/2	10 3/4	7/8	2	8 1/2	4	18	1	8 1/2	7 1/2	18	2
VDB153	15	34 1/2	21	14 1/2	6 3/4	7/8	1	14 1/2	10 3/4	7/8	2	11 1/2	4	18	1	11 1/2	7 1/2	18	2
VDB183	18	34 1/2	21	17 1/2	6 3/4	7/8	1	17 1/2	10 3/4	7/8	2	14 1/2	4	18	1	14 1/2	7 1/2	18	2
VDB243	24	34 1/2	21	23 1/2	6 3/4	7/8	1	23 1/2	10 3/4	7/8	2	20 1/2	4	18	1	20 1/2	7 1/2	18	2

### Vanity Linen Cabinets

#### VL188021

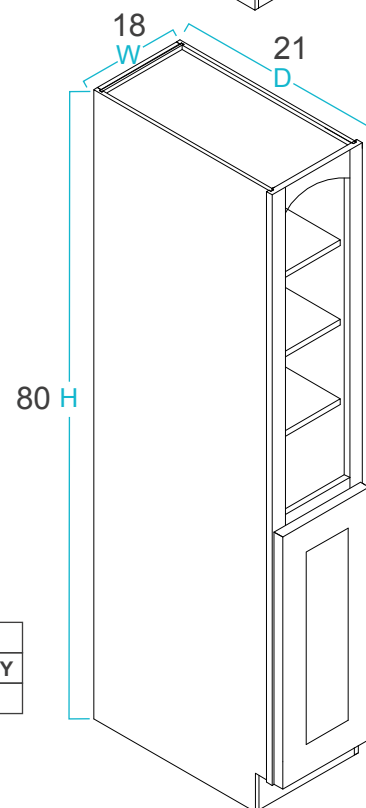
SKU	Cabinet Box			Top Cabinet Doors				Bottom Cabinet Doors			
	W	H	D	W	H	D	QTY	W	H	D	QTY
U248424	18	80	21	17 1/2	28 3/4	7/8	1	17 1/2	45 1/4	7/8	1



SKU	Cabinet Box		
	W	H	D
VOL188021	18	80	21

#### VOL188021

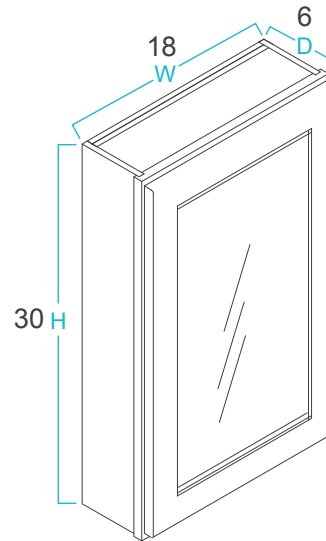
SKU	Cabinet Box			Top Opening				Bottom Cabinet Doors			
	W	H	D	W	H	D	QTY	W	H	D	QTY
VOL188021	18	80	21	15	42 3/4	22 1/4	1	17 1/2	29	7/8	1



## Medicine Cabinets

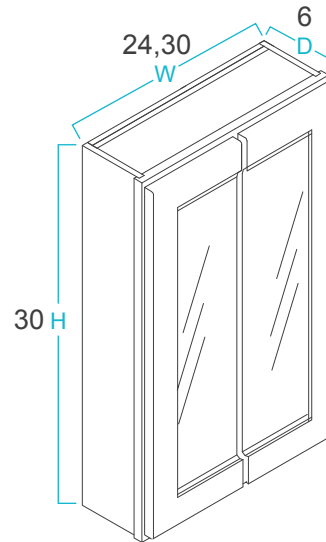
### MC1830

SKU	Cabinet Box		
	W	H	D
MC1830	18	30	6



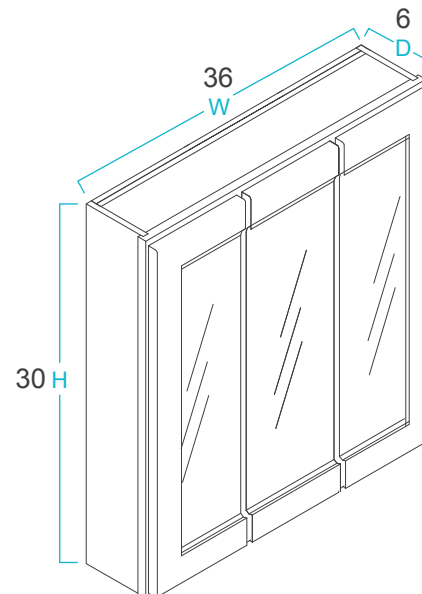
### MC2430 MC3030

SKU	Cabinet Box		
	W	H	D
MC2430	24	30	6
MC3030	30	30	6



### MC3630

SKU	Cabinet Box		
	W	H	D
MC3630	36	30	6



- Mirror not included.
- No medicine cabinets come with mirrors, you need to purchase separately.



[sales@eagleridgegroup.com](mailto:sales@eagleridgegroup.com)