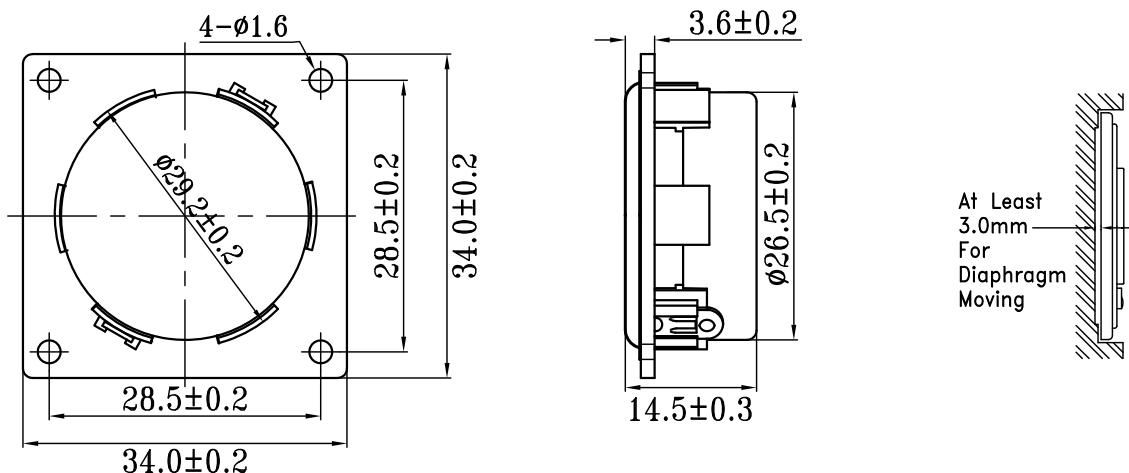
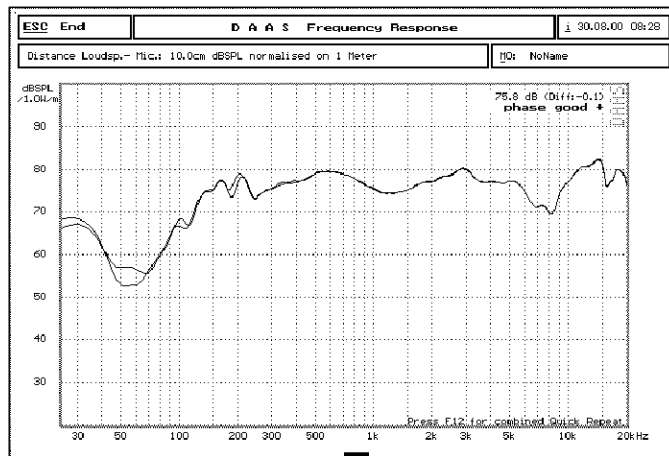


Xiamen Honch Industrial Suppliers Co Ltd

Tel: +86-592-5020537 Fax: +86-592-5020137 <http://www.honch-ind.com> E: pfyu2016@gmail.com

1	MODEL	3434CP08P3(GP)
2	Dimension	34X34X14.5H Weight 29.8 Gram.
3	Magnet	Materials Rare Earth Size ϕ 19.5X4.0 mm.
4	Nominal Impedance	8 Ohm \pm 15 %
5	Power Rating	Normal 2.0 W. Maximum 3.0 W.
6	Lowest Resonant Frequency	180 \pm 36 Hz
7	Output Sound Pressure Level	76 \pm 3 dB / 1 Watt 1 Meter.
		Average at 250,300,400,500 Hz
8	Frequency Range	90~20K Hz. Average SPL-10 dB.
9	Distortion	5 % Maximum At 1000 Hz 1.0 W.
10	Abnormal Sound Test	Must be Normally Tested By 4.0 Volts Sine Wave.
11	Load Test	White Noise with Weighted Filter 4.0 Volts. (RMS) 24 Hrs.
12	Operation Temperature	-25°C ~ +60°C
13	Storage Temperature	-40°C ~ +70°C
14	Polarity	Diaphragm shall move Forward when Apply a Positive DC
		Current to the "+" or "Marked" Terminal.
15	Remarks	Above specifications on the strength of CNS4784 and CNS4785.



Unit:mm

Admitted:

Approved:

Made: