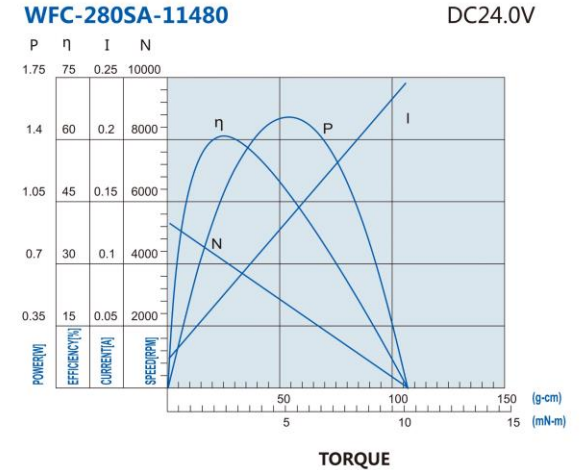
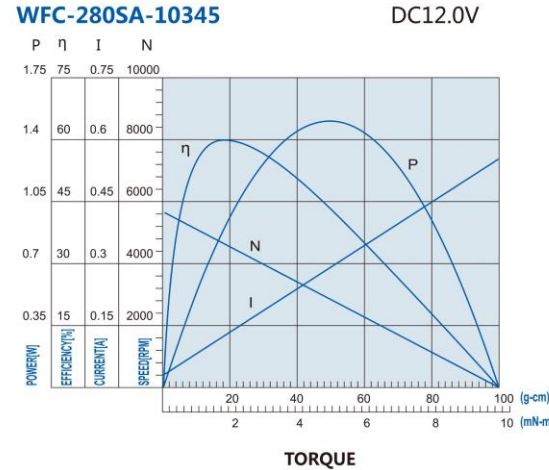


Model no.: WFC-280SA-10345

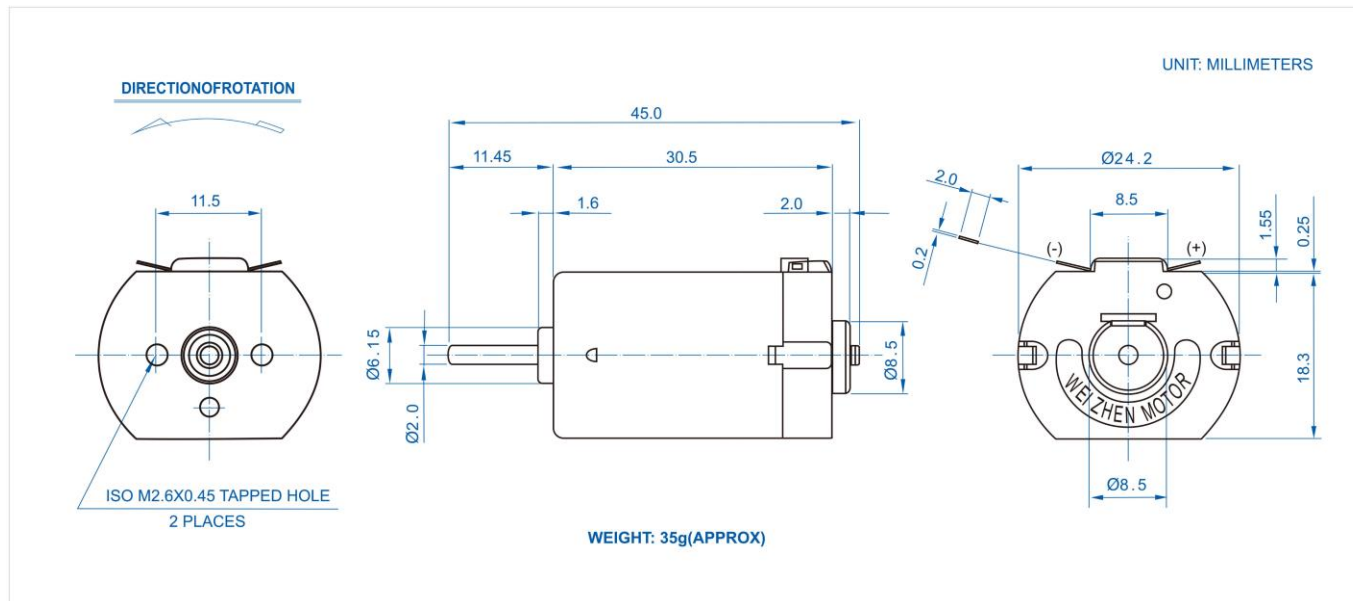


Main applications:

1. Automotive system:
Automatic control of Door Locks;
2. Household Appliances:
Electric Hair Clippers.



Dimensions



Nominal voltage: DC12.0V
 Operating range: DC10V-15V
 No load current: 0.03A
 No load speed: 5660rpm/min
 Current with load: 0.13A
 Speed with load: 4590rpm/min
 Power at max efficiency: 0.93W
 Starting torque: 9.7mN.m
 Starting current: 0.55A
 Output: 0.3W-23W