

MEDIUM DUTY INDUSTRIAL CASTERS

Japanese style casters

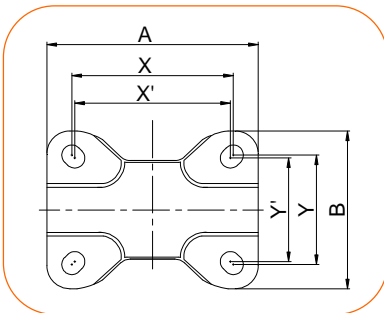
Wheel Dia.: 100-150mm

Capacity up to 250kg (550lbs)



MOUNTING PLATE Varies based on wheel diameter

Rigid Casters

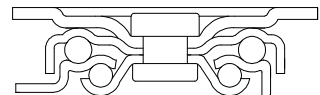


Wheel Dia. (inch)	Top Plate Dimension AxB(mm)	Bolt Hole XxY(mm) X'xY'(mm)	Attaching Bolt Dia. P(mm)
4"	110x70	90x50 80x45	Ø10.0
5"	140x80	112x56 100x53	Ø10.5
6"	140x80	112x56 100x53	Ø10.5

- Ø Ergonomic Caster
- Ø Smooth, Quiet Operation
- Ø Maintenance Free

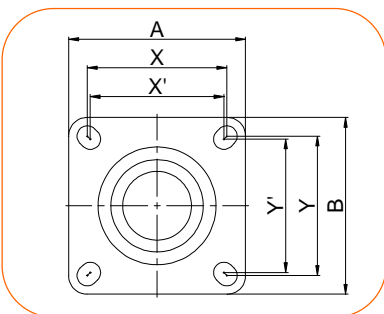
FEATURES

- **Top Plate & Yoke:** Heavily embossed, formed steel for strength and durability.
- **Swivel Section:** Double ball raceway swivel head.



- **Axle:** M12 diameter axle with lock nut.
- **Wheel bearing:** Double flanged ball bearings are a unique antifriction design that will eliminate seizing of the bearings and the wheel.
- **Finish:** zinc plated to resist rust and corrosion.

Swivel Casters



SPEC (inch)	Top Plate Dimension AxB(mm)	Bolt Hole XxY(mm) X'xY'(mm)	Attaching Bolt Dia. P(mm)
4"	90x90	71x71 68x68	Ø10.0
5"	102x102	80x80 75x75	Ø10.5
6"	102x102	80x80 75x75	Ø10.5

MOUNTING OPTIONS

Solid stem available
Ø28x65mm



WHEEL OPTIONS



Elastic rubber wheel
With material disc
-82E Series
Wheel Dia.: 100mm
Wheel tread: Shore A 70



Elastic rubber wheel
With material disc
-82E Series
Wheel Dia.: 125, 150mm
Wheel tread: Shore A 70



Blue urethane wheel
With material disc
-83L Series
Wheel Dia.: 100, 125, 150mm
Wheel tread: Shore A 93



Rigid caster with black elastic rubber on disk wheel

SPEC. (inch)	Capacity Each (kg)	Wheel Dia. D(mm)	Tread Width W(mm)	Wheel Bearing Type	Swivel Radius E(mm)	Overall Height H(mm)	Rigid Casters with rubber on disk wheel Model No.
4"	120	100	32	Ball	---	135	4JBPF-100032DB-82E
5"	150	125	38	Ball	---	165	4JBPF-125038DB-82E
6"	160	150	40	Ball	---	190	4JBPF-150040DB-82E



Swivel caster with black elastic rubber on disc wheel

SPEC. (inch)	Capacity Each (kg)	Wheel Dia. D(mm)	Tread Width W(mm)	Wheel Bearing Type	Swivel Radius E(mm)	Overall Height H(mm)	Swivel Casters with rubber on disk wheel Model No.
4"	120	100	32	Ball	30	135	4JBPS-100032DB-82E
5"	150	125	38	Ball	35	165	4JBPS-125038DB-82E
6"	160	150	40	Ball	40	190	4JBPS-150040DB-82E



Swivel locking caster with black elastic rubber on disc wheel

SPEC. (inch)	Capacity Each (kg)	Wheel Dia. D(mm)	Tread Width W(mm)	Wheel Bearing Type	Swivel Radius E(mm)	Overall Height H(mm)	Swivel Locking Casters with rubber on disk wheel Model No.
4"	120	100	32	Ball	30	135	4JBPS-100032DB-82E-ST
5"	150	125	38	Ball	35	165	4JBPS-125038DB-82E-ST
6"	160	150	40	Ball	40	190	4JBPS-150040DB-82E-ST



Rigid caster with blue polyurethane on disc wheel

SPEC. (inch)	Capacity Each (kg)	Wheel Dia. D(mm)	Tread Width W(mm)	Wheel Bearing Type	Swivel Radius E(mm)	Overall Height H(mm)	Rigid Casters with PU on disk wheel Model No.
4"	150	100	32	Ball	---	135	4JBPF-100032DB-83L
5"	200	125	36	Ball	---	165	4JBPF-125036DB-83L
6"	250	150	38	Ball	---	190	4JBPF-150038DB-83L



Swivel caster with blue polyurethane on disc wheel

SPEC. (inch)	Capacity Each (kg)	Wheel Dia. D(mm)	Tread Width W(mm)	Wheel Bearing Type	Swivel Radius E(mm)	Overall Height H(mm)	Swivel Casters with PU on disk wheel Model No.
4"	150	100	32	Ball	30	135	4JBPS-100032DB-83L
5"	200	125	36	Ball	35	165	4JBPS-125036DB-83L
6"	250	150	38	Ball	40	190	4JBPS-150038DB-83L



Swivel locking caster with blue polyurethane on disc wheel

SPEC. (inch)	Capacity Each (kg)	Wheel Dia. D(mm)	Tread Width W(mm)	Wheel Bearing Type	Swivel Radius E(mm)	Overall Height H(mm)	Swivel Locking Casters with PU on disk wheel Model No.
4"	150	100	32	Ball	30	135	4JBPS-100032DB-83L-ST
5"	200	125	36	Ball	35	165	4JBPS-125036DB-83L-ST
6"	250	150	38	Ball	40	190	4JBPS-150038DB-83L-ST