

3400-3600 MHz HV-POL
Model:PB3500-19-14D-2N
Electrical Data

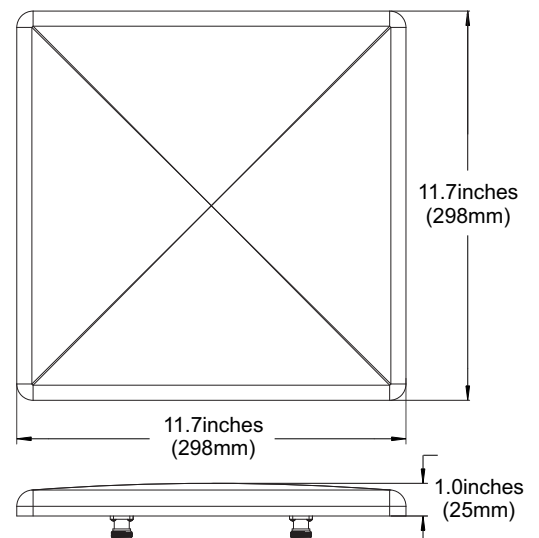
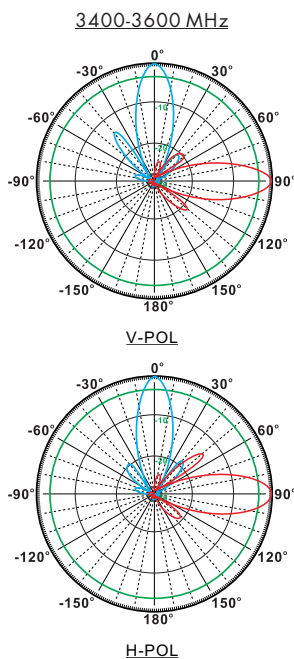
Frequency:	3400-3600 MHz
Gain:	19 dBi
VSWR:	<1.5:1
Polarization:	Horizontal and Vertical
Horizontal Beamwidth :	14°
Vertical Beamwidth:	14°
Nominal Impedance:	50 Ohms
F/B Ratio:	>30 dB
Port Isolation:	>25 dB
Cross Polarization:	>20 dB
Max Input Power:	100 W
Lightning Protection:	DC Ground

Mechanical Data

Connector :	2*N Female
Dimensions:	300*300*25mm
length*width*height	/11.8*11.8*1.0in
Weight:	1.4kg/3.0lb
Radome Material:	Weatherproof ABS
Mounting Method:	Mast
Mast Size:	Ø30-Ø50mm
Rated Wind Velocity:	210km/h
Operating temperature:	-40~+65℃

Shipment Data

Packing Qty:	10pcs/Carton
Carton Size:	650*350*350mm
(length*width*height)	/20.9*12.6*12.6in
Packing Weight:	14.2kg/31.3lb



Installation Guide

Model:PB3500-19-14D-2N

