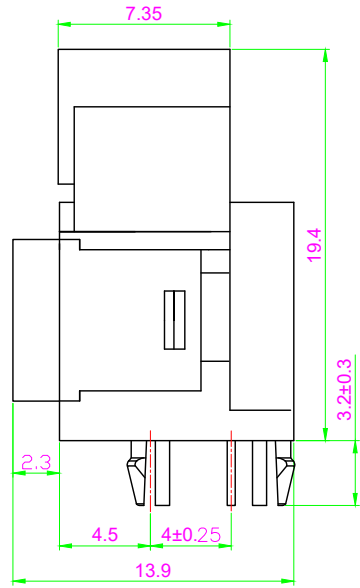
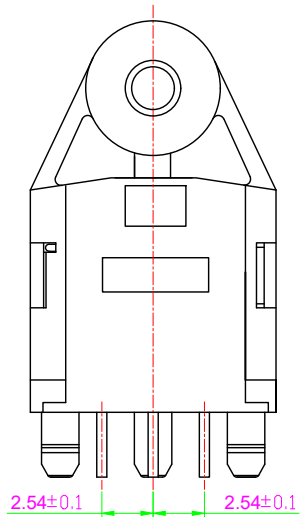
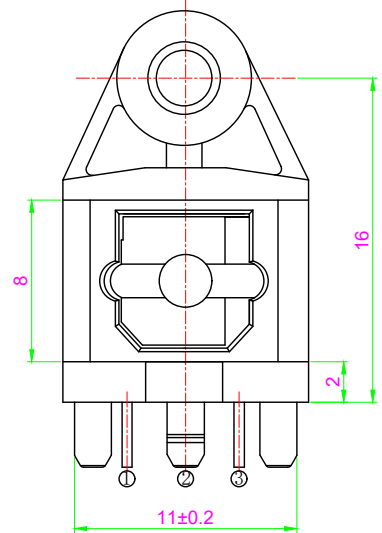
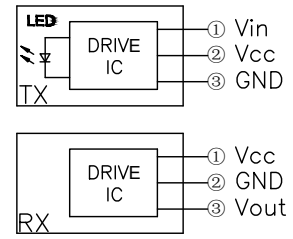
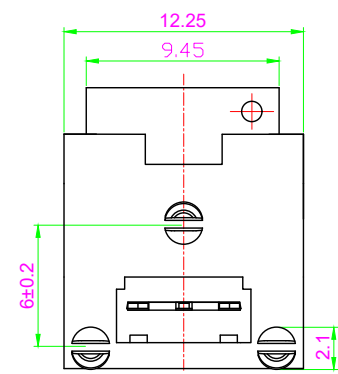


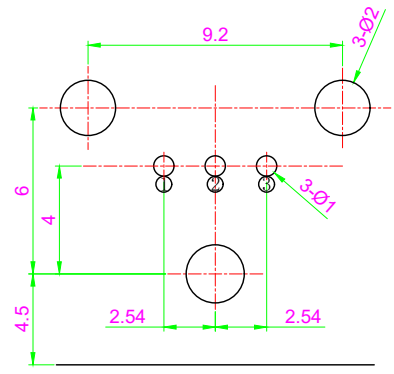
REV	DESCRIPTION	DRAWIN/DATE	CHECK/DATE	APPROVED/DATE
A	NEW RELEASE	陈R 23/08/03		



注：
 1. 电气特性
 1.1 操作电压：2.7~5.5V
 1.2 操作温度：-20~70° C
 1.3 消耗电流：3~7mA
 2. 机械特性：
 2.1 插入力：39.2N MAX
 2.2 拔出力：5.9~39.2N
 2.3 插拔次数：500次



ELECTRONIC THEORY



Recommended P.C.Board hole

BILL OF MATERIAL:

4	optical	1	FSDQT(R)-019-00-04	DQT(R)019 optical	BRASS	Ag plating
3	spring	1	FSDQT(R)-019-00-03	DQT(R)019 spring	SUS 301	/
2	door pocked	1	FSDQT(R)-019-00-02	DQT(R)019 door pocked	PA66 94HB	BLACK
1	housing	1	FSDQT(R)-019-00-01	DQT(R)019 housing	PA66 94HB	BLACK
Item	Part name	Q, ty	Number	Part number code	Material/spec	Finish

GENERAL TOLERANCE >30~120 ±0.30 >6.0~30 ±0.20 0.5~6.0 ±0.10	ANGLE TOLERANCE >50~120° ±1.0° >10~50° ±2.0° ~10° ±3.0°
MAJOR (QC CHECKED) : ▼ = 2 Places	SCALE 1 : 1
CONTROL POINT FAI to CRITICAL (Cpk & Cp) ④ = 4 Places	UNIT mm
SHEET 1 OF 1	APPROVED YANGR 23/08/03

东莞市福顺电子科技有限公司
 DONGGUAN FOSEN ELECTRONICS TECHNOLOGY CO.,LTD

DESIGN 陈R	DATE 23/08/03	TITLE: OPTIC FIBER TRANSMITTER
CHECK 周週	DATE 23/08/03	FS-DQT(R)-019
APPROVED YANGR	DATE 23/08/03	SERIES: OPTIC FIBER TRANSMITTER
		DRAWING NO: FSDQT(R)-019-00-00

SIZE A4
REV A4