



# **Product specification**

**SHFiEL62**  
**eSIM 5G MiFi – WiFi6**

**Version 1.0**

**Date: 2023/8/8**



## 1. Revision

| Date     | Version | Editor | Note          |
|----------|---------|--------|---------------|
| 2023/8/8 | 1.0     | Cade   | First release |
|          |         |        |               |

## 2. Hardware specification

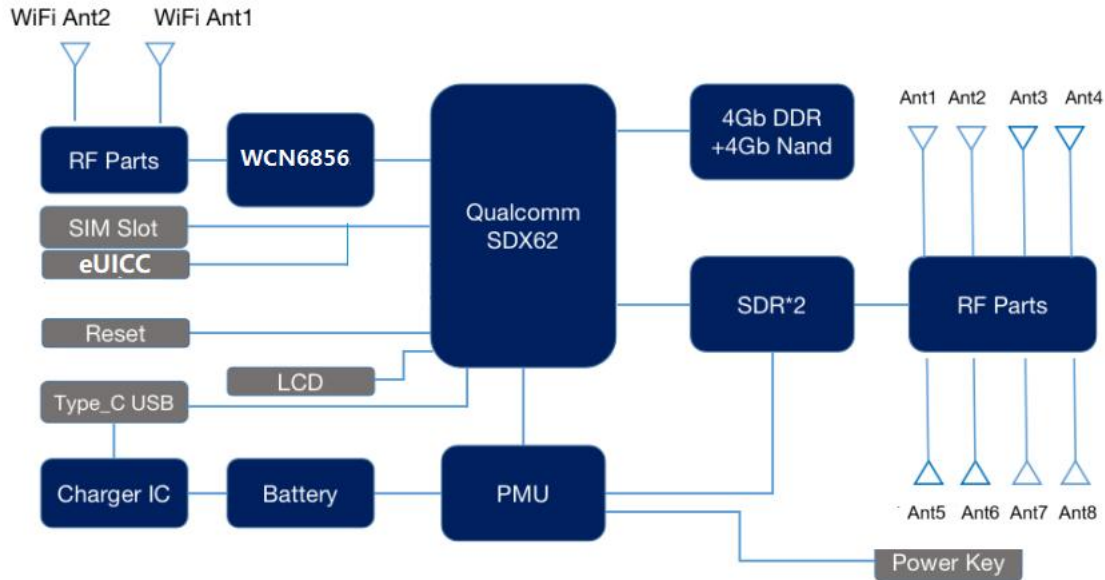
### 2.1. ID and key specs



|               |                                       |
|---------------|---------------------------------------|
| Screen        | 2.4 inch touch panel 320*240          |
| USB Port      | Type-C, USB3.0, support data transfer |
| Button        | Power Key, Reset(Hidden)              |
| eSIM          | Built-in Thales/Linksfild eSIM chip   |
| Card slot     | One 4FF (Nano) UICC/USIM, push slot.. |
| Battery       | 4500mAh Li-on un-removable            |
| Size          | 131.5*68.5*13.7mm                     |
| Charger Power | 5V 3A                                 |
| Weight        | 150g                                  |

## 2.2. Block Diagram

MiFi HW Block Diagram



## 2.3. RF functions

|          |        |  |
|----------|--------|--|
| Cellular | 5G/LTE | Qualcomm Snapdragon X62  |
|          |        | Standard compliant: 3GPP Release 16(both LTE and 5G)   |
|          |        | <b>EAU version</b><br>NR Sub-6: n1/ 3/ 5/ 7/ 8/ 20/ 28/ 38/ 40/ 41/ 75/ 76/ 77/ 78/79<br>LTE: B1/ 3/ 5/ 7/ 8/ 20/ 28/ 32/ 38/ 40/ 41/ 42/ 43<br><br>WCDMA:B1/2/5/8 |
|          |        | <b>NA version</b><br>NR Sub-6: n2/ 5/ 7/ 12/ 14/ 25/ 30/ 48/ 41/ 70/ 66/ 71/ 77/78<br>LTE: B2/4/ 5/ 7/ 12/ 13/ 29/ 30/ 66/ 71/ 41/ 46/ 48                          |
|          |        | Modulation:<br>Sub-6 UL: 256QAM, DL: 256QAM<br>LTE DL: 256QAM, DL: 256QAM  |
|          |        | MIMO:<br>Sub-6 DL: 4x4, UL:1x1<br>LTE DL: 4X4, UL:1X1  |
|          |        | Antenna(both LTE and 5G):8 built-in laser-engraved   |



|           |  |
|-----------|--|
|           | antennas   |
|           | Peak data rate:<br>Sub-6 : DL 3.5Gbps,UL 900Mbps |
|           | Output power class: 22 +/-1 dBm (class 3)        |
| Wi-Fi     | Qualcomm Atheros WCN6856                         |
|           | Standard compliant: IEEE 802.11 a/b/g/n/ac/11ax  |
|           | 2.4 GHz (2x2 MIMO) +5.8G band(2x2 MIMO)          |
|           | AX3600   |
| Bluetooth | Support  |

## 2.4. Environment

|             |                                 |
|-------------|---------------------------------|
| Temperature | Operating: 0°C to 45°C          |
|             | Storage: 0°C to 45°C            |
| Humidity    | Operating Humidity: 5 to 95% RH |
|             | Storage Humidity: 5 to 95% RH   |
|             | Non-condensing                  |

## 3. Software specification

### 3.1. Features

|                   |  |
|-------------------|--|
| System Features   | Web UI/Multiple language supported                         |
|                   | SMS/Quota/APN/PIN Management                               |
|                   | Network Selection  |
|                   | Data Usage / Statistic                                     |
|                   | DHCP Server  |
|                   | NAT  |
|                   | IP Firewall  |
|                   | Proxy DNS  |
|                   | Security - SIM Lock and Secure boot features.              |
|                   | Firewall - DMZ/MAC Filter/IP Filter/URL Filter/Port Filter |
| Wi-Fi AP Features | 802.11 a/b/g/n/ac/ax 2.4GHz+5.8GHz                         |
|                   | MU-MIMO  |
|                   | Band Steering  |
|                   | Auto Channel Select (ACS)                                  |
|                   | Wi-Fi Enabled Device #: up to 32                           |



|  |  |
|--|--|
|  | Hidden SSID  |
|  | Security Modes : WPA/WPA2 PSK, & WPA/WPA2 mixed mode, WPA3 |
|  | Access Control : STA blacklist/white list                  |
|  | WPS : Pin and PBC, WPS2.0                                  |

#### ▪4. Mechanical & ID designs

##### ▪4.1. Dimension

Casing Dimension (WxDxH): 131.5\*68.5\*13.7mm

##### ▪4.2. Accessories

|                |                            |
|----------------|----------------------------|
| USB Cable      | Type_C to Type_C USB cable |
| QSG            | Quick start guide          |
| Safety warning | Safety warning             |
| Warranty card  | Warranty card              |

##### ▪4.3. Packing

|        |   |
|--------|---|
| Box    | Box label   |
|        | Inner paper   |
|        | Inner box   |
|        | Color box   |
| Carton | Carton label (carton label + battery warning label) |
|        | Carton  |
| Pallet | Pallet label  |
|        | Pallet  |