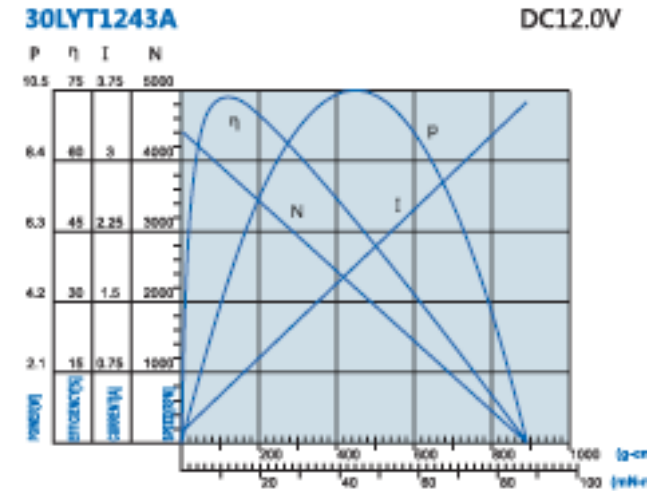


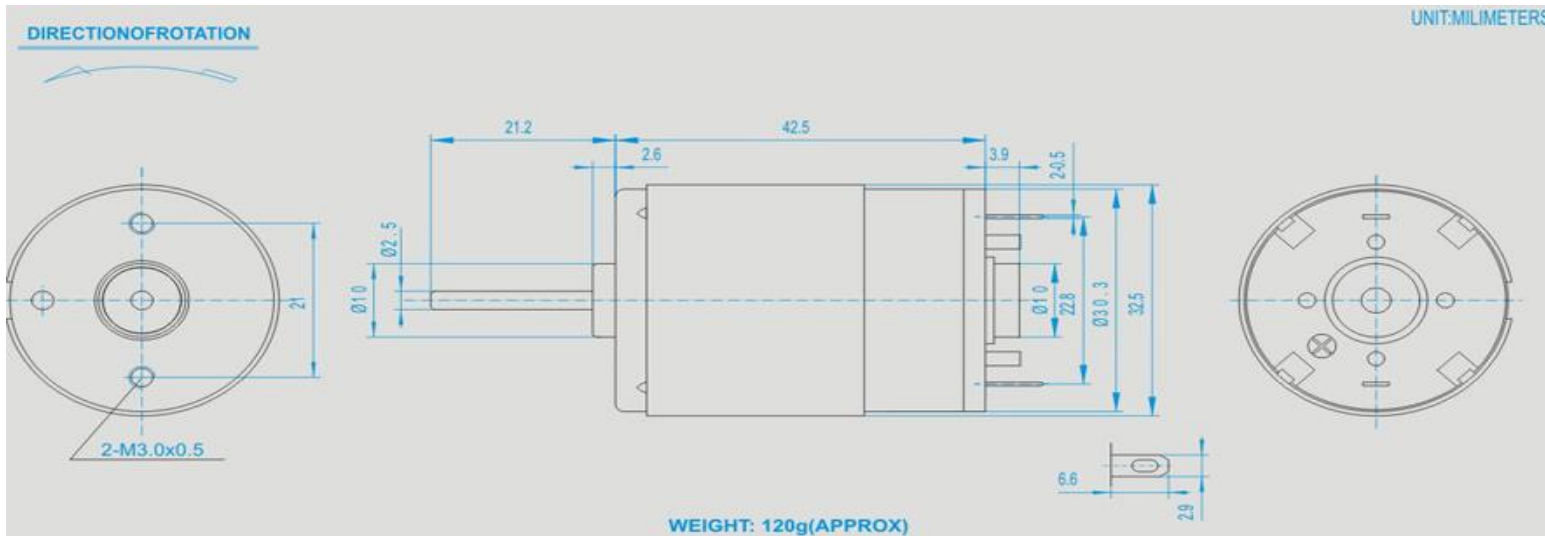
# Model no.: 30LYT1243A



Nominal voltage: DC12V  
Operating voltage: DC8V-16V  
No load current: 0.08A  
No load speed: 4409rpm/min.  
Current with load: 0.54A  
Speed with load: 3835rpm/min.  
Max efficient power: 4.7W  
Max efficiency: 75%  
Starting torque: 87.11mN.m  
Starting current: 3.62A  
Output: approx. 1.0W-30W



## Dimensions



Main applications:

1. Medical appliances: Air pumps.
2. Automotive system: massage chairs, adjustable lumbar.