



CD TYPE POWER TRANSFORMERS(CDPT-01 SERIES)

Features:

- The CD type power transformers are designed and built to meet the US and international safety standards.
- Low magnetic leakage.
- Compact design, with light weight and low temperature rise.
- Both horizontal mount and vertical mount are available.
- Multiple options for windings lead out, like lead wires, soldering lugs, connect terminals and binding post, etc.
- Primary: 115, 120 or 230V, 240V, 50/60Hz.
- VA Range: 120 to 3750VA.
- Custom versions upon requested.
- According to:

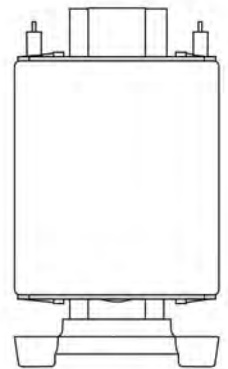
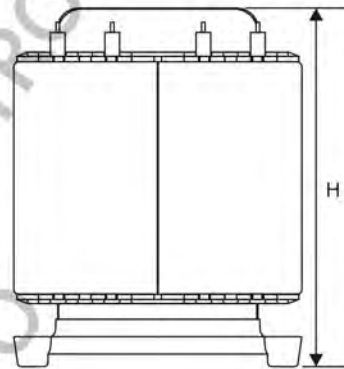
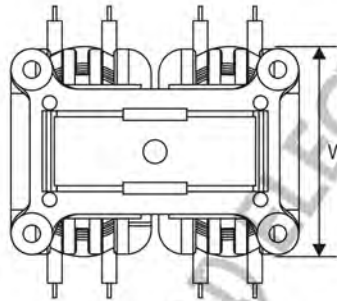
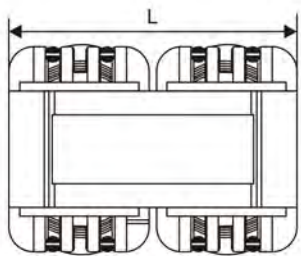


Fig1

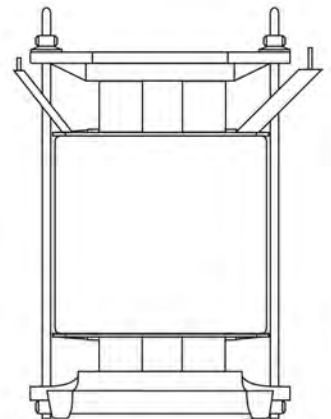
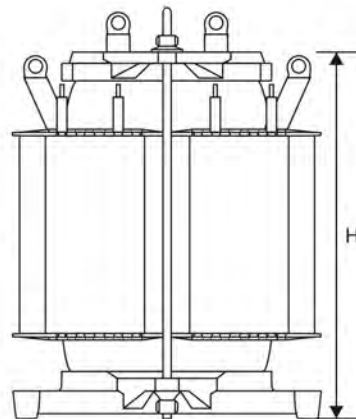
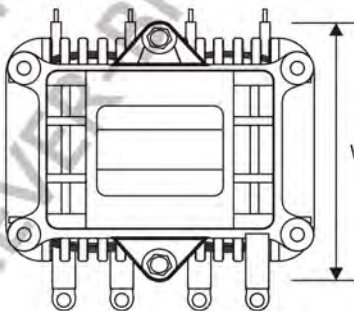
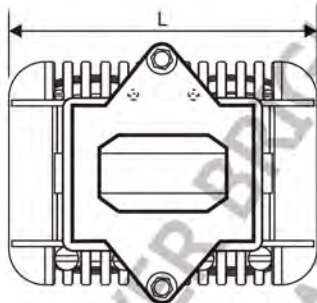


Fig2



CD TYPE POWER TRANSFORMERS(CDPT-01 SERIES)

Part No.	Rated Power	Secondary		Regulation Typical	Efficiency Typical	Temp Rise Typ (Degrees C)	Dimensions(mm)			WT (kg)	Fig
		Series	Paralled				L	W	H		
CDPT01-120-12	120VA	12V CT@10A	6V@ 20A	9.0%	90%	50	82	60	107	1.6	1
CDPT01-120-24	120VA	24V CT@5A	12V@ 10A	9.0%	90%	50	82	60	107	1.6	1
CDPT01-120-36	120VA	36V CT@3.33A	18V@ 6.67A	9.0%	90%	50	82	60	107	1.6	1
CDPT01-120-240	120VA	240V CT@0.5A	120V@ 1A	9.0%	90%	50	82	60	107	1.6	1
CDPT01-150-12	150VA	12V CT@12.5A	6V@ 25A	8.0%	91%	50	82	60	122	1.8	1
CDPT01-150-24	150VA	24V CT@6.25A	12V@ 12.5A	8.0%	91%	50	82	60	122	1.8	1
CDPT01-150-36	150VA	36V CT@4.17A	18V@8.33A	8.0%	91%	50	82	60	122	1.8	1
CDPT01-150-240	150VA	240V CT@0.63A	120V@ 1.25A	8.0%	91%	50	82	60	122	1.8	1
CDPT01-180-12	180VA	12V CT@15A	6V@ 30A	7.0%	92%	50	104	75	102	2.2	1
CDPT01-180-24	180VA	24V CT@7.5A	12V@ 15A	7.0%	92%	50	104	75	102	2.2	1
CDPT01-180-36	180VA	36V CT@5A	18V@ 10A	7.0%	92%	50	104	75	102	2.2	1
CDPT01-180-240	180VA	240V CT@0.75A	120V@ 1.5A	7.0%	92%	50	104	75	102	2.2	1
CDPT01-200-12	200VA	12V CT@16.7A	6V@ 33.3A	7.0%	92%	55	104	75	112	2.5	1
CDPT01-200-24	200VA	24V CT@8.33A	12V@ 16.7A	7.0%	92%	55	104	75	112	2.5	1
CDPT01-200-36	200VA	36V CT@5.55A	18V@ 11.1A	7.0%	92%	55	104	75	112	2.5	1
CDPT01-200-240	200VA	240V CT@0.83A	120V@ 1.67A	7.0%	92%	55	104	75	112	2.5	1
CDPT01-260-12	260VA	12V CT@21.67A	6V@ 43.3A	6.0%	93%	55	104	75	132	3.2	1
CDPT01-260-24	260VA	24V CT@10.83A	12V@ 21.67A	6.0%	93%	55	104	75	132	3.2	1
CDPT01-260-36	260VA	36V CT@7.22A	18V@ 14.44A	6.0%	93%	55	104	75	132	3.2	1
CDPT01-260-240	260VA	240V CT@1.08A	120V@ 2.17A	6.0%	93%	55	104	75	132	3.2	1
CDPT01-350-12	350VA	12V CT@29.17A	6V@ 58.3A	6.0%	93%	55	104	75	152	3.7	1
CDPT01-350-24	350VA	24V CT@14.6A	12V@ 29.17A	6.0%	93%	55	104	75	152	3.7	1
CDPT01-350-36	350VA	36V CT@9.72A	18V@ 19.44A	6.0%	93%	55	104	75	152	3.7	1
CDPT01-350-240	350VA	240V CT@1.46A	120V@ 2.92A	6.0%	93%	55	104	75	152	3.7	1
CDPT01-400-12	400VA	12V CT@33.3A	6V@ 66.7A	5.0%	94%	55	130	93	150	4.4	1
CDPT01-400-24	400VA	24V CT@16.67A	12V@ 33.3A	5.0%	94%	55	130	93	150	4.4	1
CDPT01-400-36	400VA	36V CT@11.1A	18V@ 22.2A	5.0%	94%	55	130	93	150	4.4	1
CDPT01-400-240	400VA	240V CT@1.67A	120V@ 3.33A	5.0%	94%	55	130	93	150	4.4	1
CDPT01-500-24	500VA	24V CT@20.8A	12V@ 41.67A	4.0%	95%	55	130	93	165	5.2	1
CDPT01-500-36	500VA	36V CT@13.9A	18V@ 27.78A	4.0%	95%	55	130	93	165	5.2	1
CDPT01-500-240	500VA	240V CT@2.1A	120V@ 4.2A	4.0%	95%	55	130	93	165	5.2	1
CDPT01-600-24	600VA	24V CT@25A	12V@ 50A	4.0%	95%	55	130	93	185	6.4	1
CDPT01-600-36	600VA	36V CT@16.7A	18V@ 33.3A	4.0%	95%	55	130	93	185	6.4	1
CDPT01-600-240	600VA	240V CT@2.5A	120V@ 5A	4.0%	95%	55	130	93	185	6.4	1
CDPT01-700-24	700VA	24V CT@29.2A	12V@ 58.3A	4.0%	95%	55	130	93	205	7.3	1
CDPT01-700-36	700VA	36V CT@19.4A	18V@ 38.9A	4.0%	95%	55	130	93	205	7.3	1
CDPT01-700-240	700VA	240V CT@2.9A	120V@ 5.8A	4.0%	95%	55	130	93	205	7.3	1
CDPT01-900-48	900VA	48V CT@18.75A	24V@ 37.5A	3.0%	96%	55	164	117	182	9.0	1
CDPT01-900-240	900VA	240V CT@3.75A	120V@ 7.5A	3.0%	96%	55	164	117	182	9.0	1
CDPT01-1000-48	1000VA	48V CT@20.8A	24V@ 41.7A	3.0%	96%	55	164	117	202	11.0	2
CDPT01-1000-240	1000VA	240V CT@4.17A	120V@ 8.33A	3.0%	96%	55	164	117	202	11.0	2
CDPT01-1400-240	1400VA	240V CT@5.8A	120V@ 11.7A	3.0%	96%	55	164	117	232	12.5	2
CDPT01-1650-240	1650VA	240V CT@6.9A	120V@ 13.8A	3.0%	96%	55	164	117	262	15.8	2
CDPT01-2000-240	2000VA	240V CT@8.3A	120V@ 16.7A	2.0%	97%	55	208	147	218	17.5	2
CDPT01-2300-240	2300VA	240V CT@9.6A	120V@ 19.2A	2.0%	97%	55	208	147	238	20.0	2
CDPT01-3000-240	3000VA	240V CT@12.5A	120V@ 25A	2.0%	97%	55	208	147	278	24.5	2
CDPT01-3750-240	3750VA	240V CT@15.6A	120V@ 31.3A	2.0%	97%	55	208	147	318	29.5	2