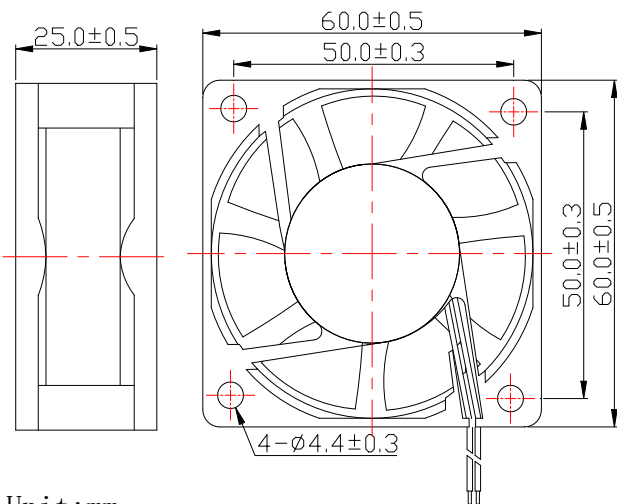




● General Specifications (一般规格)

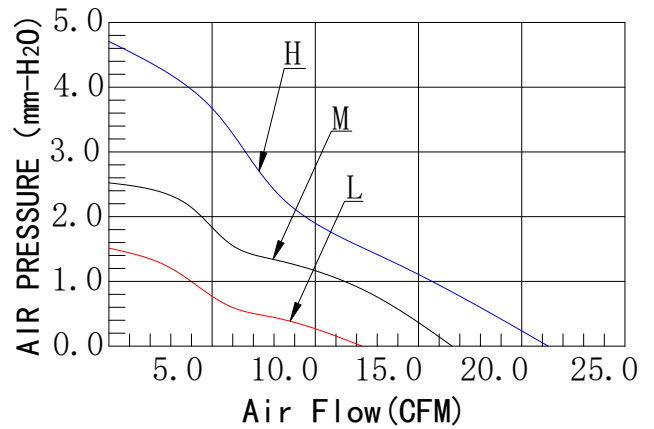
- Material:
Frame And Impeller: Thermal Plastic UL 94-0
- Lead Wires: UL Type
RED Wire Positive (+)
Black Wire Negative (-)
- Insulation Resistance: 10MΩ Or Over With a
DC250V Megger
- Dielectric Withstand Voltage: AC500V 1S
- Allowable Ambient Temperature Range:
-10°C ~ +70°C (Operating)
-40°C ~ +70°C (Storage)

● Dimensions Drawing (外观图)



Unit: mm

● Characteristic Curves (特性曲线)



● Specifications (规格)

| (型号) Model | (轴承类型) Bearing Type | (电压) Rated Voltage | (电压范围) Operation Voltage | (电流) Current | (转数) Speed | (风量) Air Flow | (风压) Static Pressure | (噪音) Noise Level | (重量) Weight |
|---------------|------------------------|-----------------------|-----------------------------|-----------------|---------------|------------------|-------------------------|---------------------|----------------|
| | | VDC | VDC | A | RPM | CFM | mmH ₂ O | dBA | g |
| SDH6025S | Sleeve | 12 | 10.8~13.2 | 0.14 | 4000 | 21.08 | 4.70 | 29.32 | 60 |
| SDM6025S | | | | 0.11 | 3300 | 17.41 | 2.56 | 24.64 | |
| SDL6025S | | | | 0.08 | 2500 | 13.21 | 1.15 | 21.05 | |
| SDH6025B | Ball | | | 0.14 | 4000 | 21.08 | 4.70 | 29.32 | |
| SDM6025B | | | | 0.11 | 3300 | 17.41 | 2.56 | 24.64 | |
| SDL6025B | | | | 0.08 | 2500 | 13.21 | 1.15 | 21.05 | |
| SDH6025S | Sleeve | 24 | 21.6~26.4 | 0.10 | 4000 | 21.08 | 4.70 | 29.32 | |
| SDM6025S | | | | 0.08 | 3300 | 17.41 | 2.56 | 24.64 | |
| SDL6025S | | | | 0.06 | 2500 | 13.21 | 1.15 | 21.05 | |
| SDH6025B | Ball | | | 0.10 | 4000 | 21.08 | 4.70 | 29.32 | |
| SDM6025B | | | | 0.08 | 3300 | 17.41 | 2.56 | 24.64 | |
| SDL6025B | | | | 0.06 | 2500 | 13.21 | 1.15 | 21.05 | |