

## FQX series circular connectors



### Products introduction

FQX series circular connectors can be used in the water-proof place. We use the reliable cage clamp connection instead of the traditional wire spring. These connectors have the features of lower contact resistance, anti-libration, shock proof, water proof and strong seal etc. They are widely used for the electrical connection between electrical equipment. Meet CE, RoHs. Thread connect with the plug and receptacle.

### Product Ordering

$\frac{\text{FQX}}{1} \quad \frac{14}{2} \quad \frac{-7}{3} \quad \frac{T}{4} \quad \frac{K}{5} \quad \frac{-8}{6}$

1. Name of series: FQX
2. Shell size : 14、18、24、30
3. Number of contacts: 1,2,3,4,5,6,7,9,10,12,13,16,19,26,32,42,55
4. T: Plug(TR:angled plug), Z: flange mounting receptacle, ZP: cable receptacle, Z2: Receptacle with O ring, ZY: circular receptacle, ZPY: circular cable receptacle
5. Type of contacts: K: socket, J: pin
6. Wire gauge: 5,6,7,8,9,10,12,14,16,18

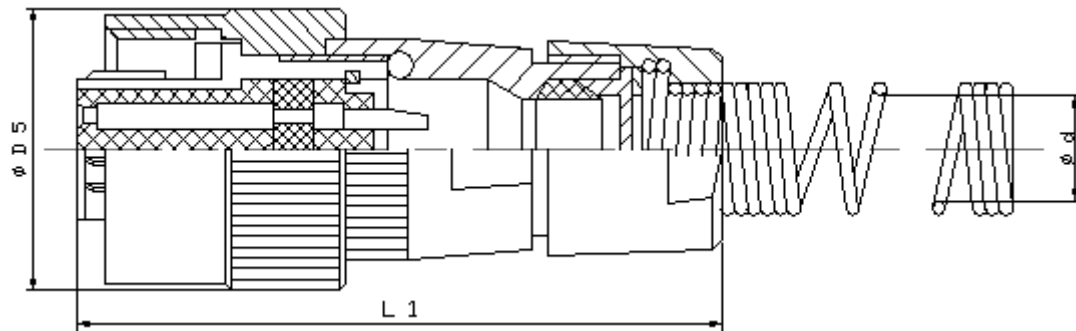
### Technical characteristics

The connector is allowed to submerged in 1m deep water for 60min. (Ip68)

| Temperature   | Relative humidity   | Atmosphere         | Vibration                     | Shock               |
|---------------|---------------------|--------------------|-------------------------------|---------------------|
| -55° C~+85° C | (90~96)%<br>at40° C | 4. 4KPa            | 10~200Hz, 150m/s <sup>2</sup> | 490m/s <sup>2</sup> |
| Current       | Voltage             | Contact resistance |                               | Endurance           |
| 2A~5A         | 250V                | ≤10mΩ              |                               | 500cycles           |
| 10A~25A       | 400V                | ≤5mΩ               |                               | 500cycles           |

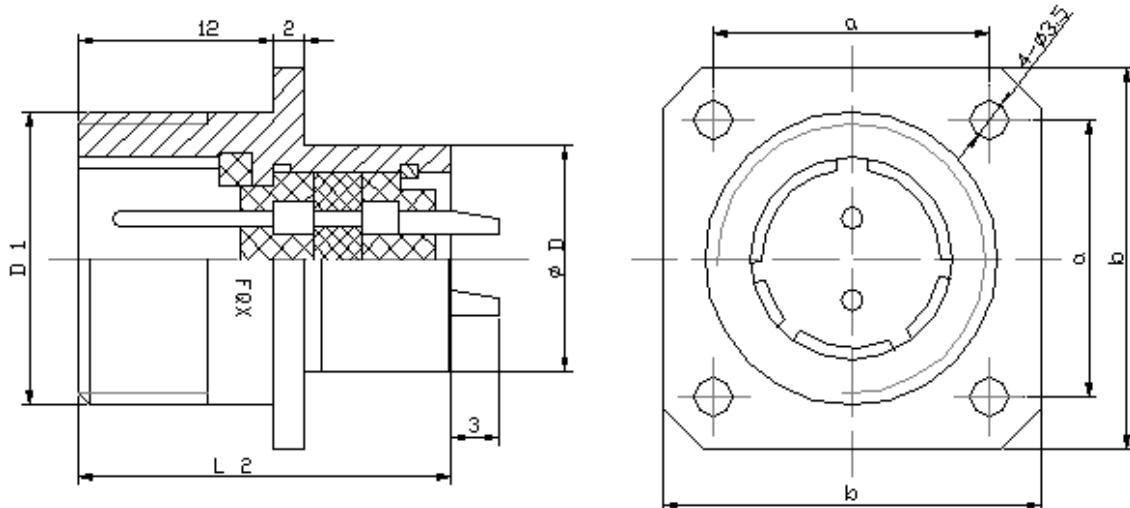
| Environment      | Voltage proof | Insulation resistance |
|------------------|---------------|-----------------------|
| Normal           | 1200V         | ≥1000MΩ               |
| High temperature | 1000V         | ≥500MΩ                |
| Moisture         | 800V          | ≥100MΩ                |
| Low pressure     | 400V          | -                     |

### Product Dimensions (Plug, Flange mounting receptacle)

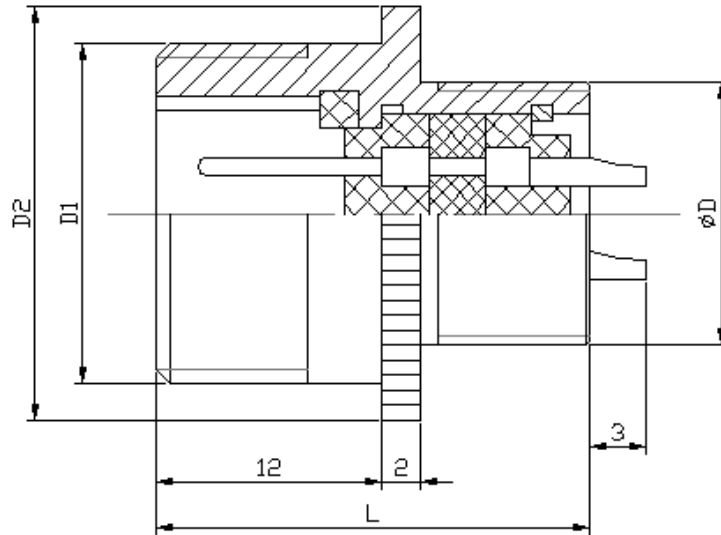


| Type  | D5        | L1 | Cable sleeve $\phi d$     |
|-------|-----------|----|---------------------------|
| FQX14 | $\phi 21$ | 50 | $\phi 5, 6, 7, 8, 9$      |
| FQX18 | $\phi 27$ | 55 | $\phi 6, 7, 8, 9, 10, 12$ |
| FQX24 | $\phi 33$ | 60 | $\phi 6, 10, 12, 14$      |
| FQX30 | $\phi 39$ | 65 | $\phi 10, 12, 14, 16, 18$ |

Receptacle: FQX-Z

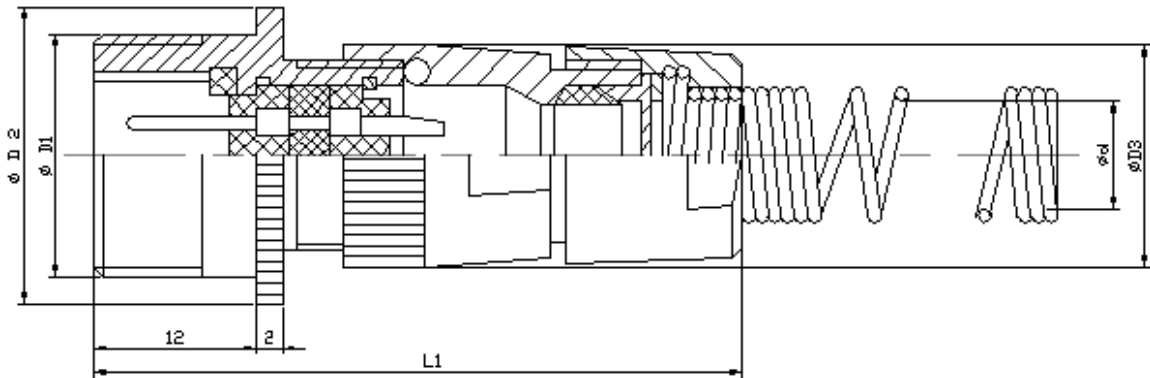


| Type  | a            | b  | D         | D1      | L2=L | D2        |
|-------|--------------|----|-----------|---------|------|-----------|
| FQX14 | $17 \pm 0.2$ | 24 | $\phi 14$ | M18X1.5 | 23   | $\phi 22$ |
| FQX18 | $20 \pm 0.2$ | 27 | $\phi 18$ | M22X1.5 | 23.5 | $\phi 25$ |
| FQX24 | $26 \pm 0.2$ | 33 | $\phi 24$ | M28X1.5 |      | $\phi 33$ |
| FQX30 | $31 \pm 0.1$ | 38 | $\phi 30$ | M34X1.5 |      | $\phi 39$ |



FQX-ZY:

Cable receptacle:FQX-ZPY



| Type  | Ø D1    | Ø D2 | Ø D3 | L1 | Cable sleeve Ø d   |
|-------|---------|------|------|----|--------------------|
| FQX14 | M18X1.5 | 22   | 16.5 | 50 | 5, 6, 7, 8, 9      |
| FQX18 | M22X1.5 | 25   | 22.5 | 55 | 6, 7, 8, 9, 10, 12 |
| FQX24 | M28X1.5 | 33   | 29   | 60 | 6, 10, 12, 14      |
| FQX30 | M34X1.5 | 39   | 35   | 65 | 10, 12, 14, 16, 18 |

Contacts number

| Type  | Number | Contact Ø & Current | Type  | Number | Contact Ø & Current |
|-------|--------|---------------------|-------|--------|---------------------|
| FQX14 | 2,3    | 1.5 ,10A/400V       | FQX24 | 1      | 1.5,10A/3000V       |
|       | 4      | 1.5 ,10A/250V       |       | 4,6    | 2.5, 25A/400V       |
|       | 5,6,7  | 1.0, 3A/250V        |       | 10     | 1.5,10A/400V        |
|       | 9,10   | 0.8, 2A/110V        |       | 19     | 1.0 ,3A/250V        |
|       | 13     | 0.7, 1A/110V        |       | 26     | 1.0 ,3A/110V        |
|       | 1      | 1.5, 10A/2000V      |       | 9,10   | 2.5 ,25A/400V       |

|       |       |               |       |       |              |
|-------|-------|---------------|-------|-------|--------------|
| FQX18 | 3, 4  | 1.5, 10A/400V | FQX30 | 16    | 2 , 18A/400V |
|       | 5,6,7 | 1.5, 10A/250V |       | 32,42 | 1.0 ,3A/250V |
|       | 12    | 1.0 ,3A/250V  |       | 55    | 1.0 ,2A/110V |

Hangzhou Kaipu Electronic Technique Co.,Ltd. <http://www.kpue.com>, [www.kpue.net](http://www.kpue.net)  
 Tel: 86-571-85386101                      Mobile: 13588034590  
 Fax: 86-571-85350139                      E-mail: HZKAIPU@YAHOO.COM.CN  
 Address: No.588-2 of Feijiatang Road,3rd floor,Xiacheng science Park,Hangzhou  
 City,Zhejiang,China.    Postcode: 310004