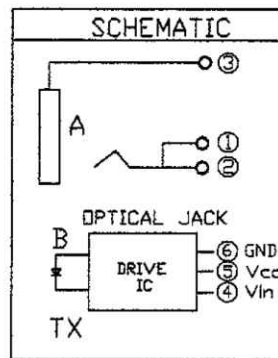
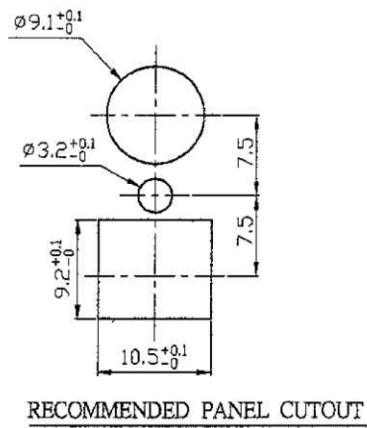
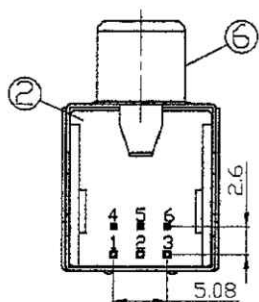


RECOMMENDED PCB LAYOUT (BOTTOM VIEW)
PCB TOLERANCE ± 0.1



SPECIFICATIONS:

- CONTACT RESISTANCE: 30mΩ MAX
- INSULATION RESISTANCE: 100MΩ MIN. AT DC 500V.
- WITHSTANDING VOLTAGE: 250V AC PER 1 MINUTE
- OPERATING TEMPERATURE: -25°C ~ +70°C
- INSERTION FORCE: RCA: 0.3kg ~5kg
OPTICAL JACK: 3.5kg Max.
- EXTRACTION FORCE: RCA: 0.3kg ~3kg
OPTICAL JACK: 0.4kg Min.
- UNLESS OTHER SPECIFIED, TOLERANCE IS $\pm 0.3\text{mm} \pm 3^\circ$

8.	OPTICAL JACK	1 set		BLACK	Transmitter
7.	WASHER	1	PBT	ORANGE	UL94V-0
6.	RCA BUSHING	1	SPCC T=0.3mm	Ni 80u" over Cu 80u"	
5.	BACK SHELL	1	SPCC T=0.3mm	Ni 80u" over Cu 80u"	
4.	FRONT SHELL	1	SPCC T=0.3mm	Sn 100u" over Ni 50u"	
3.	RCA TERMINAL	3	BRASS T=0.3mm	Sn 100u" over Ni 50u"	
2.	COVER	1	PA66	BLACK	UL94V-0
1.	RCA HOUSING	1	PBT	BLACK	UL94V-0
P/N	PART NAME	Q'TY	MATERIAL	PLATING	REMARKS

MORETHANALL
CONNECTORS
ASSEMBLIES

PART NO. RCAPOF-FRM5SEOR-03T

DWG NO. RCAPOF-FRM5SEOR-03T

FILE NO.

CHECKED BY CY

DRAWING BY

TOLERANCES ARE

.X \pm
.XX \pm
.XXX \pm
AWG

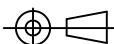
DESCRIPTION:

焯倫股份有限公司

UNIT / mm

SCALE 1:1

PROJECTION



AREA

REVISIONS

HK

DATE