

FQ24 series circular connectors



Products introduction

FQ series circular connectors can be used in the water-proof place. We use the reliable cage clamp connection instead of the traditional wire spring. These connectors have the features of lower contact resistance, anti-libration, shock proof, water proof and strong seal etc. They are widely used for the electrical connection between electrical equipment..

Product Ordering

FQ 24 — 7 T K — 8

1 2 3 4 5 6

1. Name of series: FQ
2. Shell size : 24
3. Number of contacts: 1,3,4,6,10,19,26
4. T: Plug(TR:angled plug), Z: flange mounting receptacle, ZP: cable receptacle, Z2: Receptacle with O ring, ZY: circular recptacle
5. Type of contacts: K: socket, J: pin
6. Wire gauge: 6,10,12,14

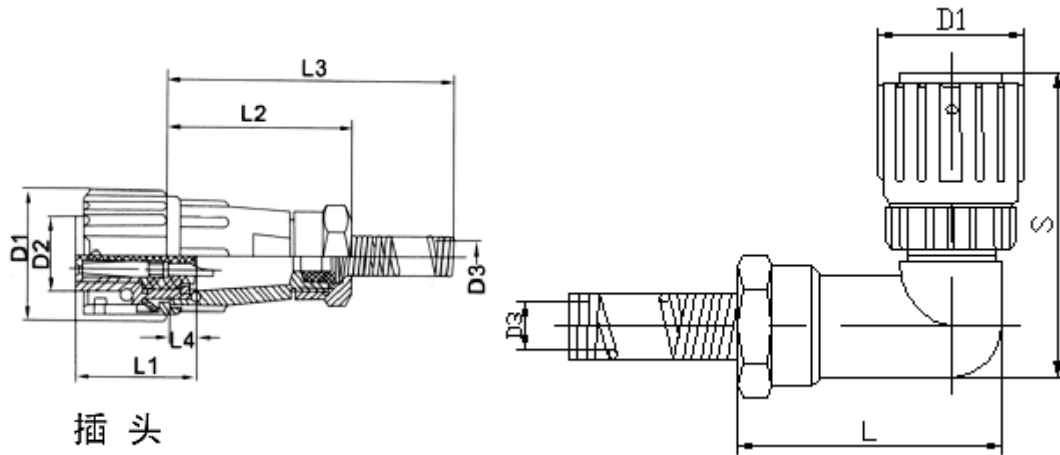
Technical characteristics

The connector is allowed to submerged in 1m deep water for 30min. (Ip67)

Temperature	Relative humidity	Atmosphere	Vibration	Shock
-55° C~+85° C	(90~96)% at40° C	4. 4KPa	10~200Hz, 150m/s ²	490m/s ²
Current	Voltage	Contact resistance		Endurance
2A~5A	250V	≤10m Ω		500cycles
10A-25A	400V	≤5m Ω		500cycles

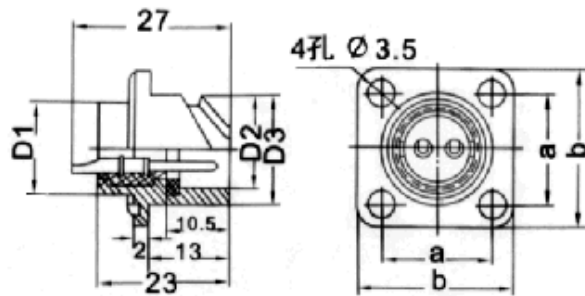
Environment	Voltage proof	Insulation resistance
Normal	1200V	$\geq 1000M\Omega$
High temperature	1000V	$\geq 500M\Omega$
Moisture	800V	$\geq 100M\Omega$
Low pressure	400V	-

Product Dimensions (Plug, Flange mounting receptacle)



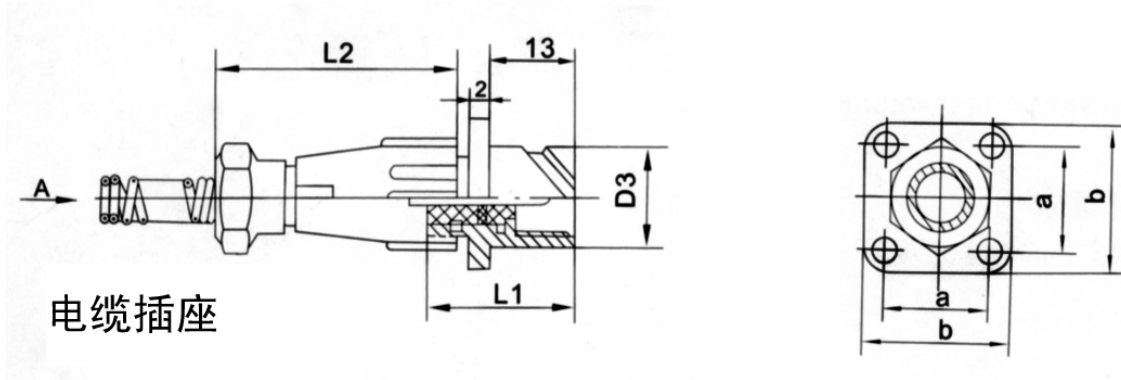
插头

Type	D1	D2	L1	L4	Cable sleeve	D3 \emptyset	L2	L3	S	L
FQ24	$\emptyset 33$	$\emptyset 22.6$	21	5.4	$\emptyset 6$	6	46	72	53	49
					$\emptyset 10, 12, 14$	10, 12, 14	46	77		



Receptacle 插座

Type	a	b	D1	D2	D3 \emptyset
FQ24	26 ± 0.2	33	$\emptyset 24.5$	$\emptyset 22.6$	27.2



Cable receptacle

Type	D3 Ø	a	b	L1	Cable sleeve	L2
FQ24	27.2	26	33	21	6, 10, 12, 14	46

Contacts number

Type	Number	Contact diameter Ø & Current
FQ24	1	1.5, 10A/3000V
	3	3.5, 50A/400V
	4,6	2.5, 25A/400V
	10	1.5, 10A/400V
	19	1.0, 3A/250V
	26	1.0, 3A/110V

Hangzhou Kaipu Electronic Technique Co., Ltd. <http://www.kpue.com>, www.kpue.net

Tel: 86-571-85386101

Mobile: 13588034590

Fax: 86-571-85350139

E-mail: HZKAIPU@YAHOO.COM.CN

Address: No. 588-2 of Feijiatang Road, 3rd floor, Xiacheng science Park, Hangzhou City, Zhejiang, China. Postcode: 310004