



Category

SWITCH

- MICRO/DETECTOR SW

- ROCKER SW

- PUSH SW

- TOGGLE SW

- ANTI-VANDAL SW

- CAPACITANCE SW

- SLIDE SW

- PRESSURE SW

- ROTARY SW

- DIP SW

- TACT SW

- LIGHTED TACT SW

- KEYLOCK SW

- SAFETY & CONTROL SW

- VEHICLE SW

SOCKET

BREAKER

FUSE HOLDER

FUSE

ENCODER



OUR PRODUCT

[Home](#) › [Our Product](#) › [S-19 SERIES](#) › [S-19 SERIES](#)

SWITCH / MICRO/DETECTOR SW

S-19 SERIES

General-Purpose Micro Switches 2P2T, with Phenolic Housing for High Temp Application, 15A 125/250VAC

2P2T General Purpose Micro Switches for Industrial Applications
Different Lever or Roller Actuator Available
Consult the Factory for Optional High Temp Applications up to 200°C

[PDF Download](#)

[Get Information](#)

[Print this page](#)



[ZOOM IN](#)

Feature

SPECIFICATIONS

- 15A 125/250VAC (UL,CUL,CCC,CE)



FEATURES

- Safety approved internationally by UL,CUL,CCC,CE

INDICATOR

POTENTIOMETER

CONNECTOR

WATERPROOF CONNECTOR

WATERPROOF PARTS

NEW PRODUCT

- 3/4HP 125VAC, 1-1/2HP 250VAC 250VAC (UL,CUL,CCC,CE)
- Temperature rating: 105°C standard (150°C & 200°C optional)
- Flammability rating: UL94V-0
- Case: Phenolic
- Actuating Button: Thermoplastic Nylon
- Common Terminals: Brass
- Moving Blade: Brass
- Spring: Stainless Steel
- Auxiliary Actuators: Cold-Rolled Steel (Nickel-Plated)
- Roller: Sintered Stainless Steel
- Contacts: Silver-Cadmium Oxide
- HP rating up to 1-1/2HP 250VAC
- Choice of actuator styles
- Solder, quick-connect and optional screw terminal
- 3 contact arrangements
- Long-life coil spring mechanism
- High-temperature up to 150°C & 200°C
- 2NO or 2NC is available upon request

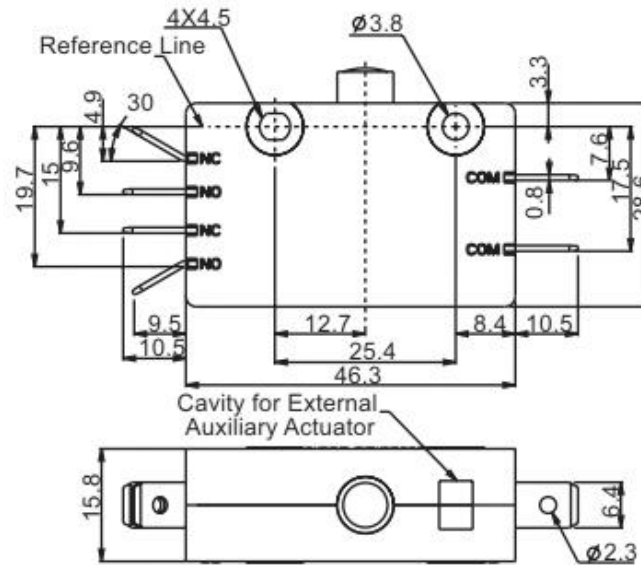
Products Search



Item



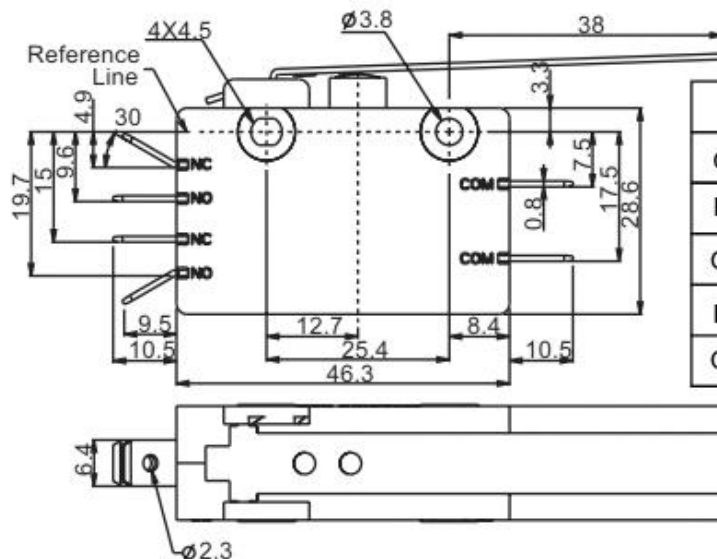
S-19E



CHARACTERISTICS	
Operating Force	850gf Max.
Pre Travel	1.27mm Max.
Over Travel	2.03mm Min.
Movement Differential	0.38mm Max.
Operating Position	7.24±0.76mm



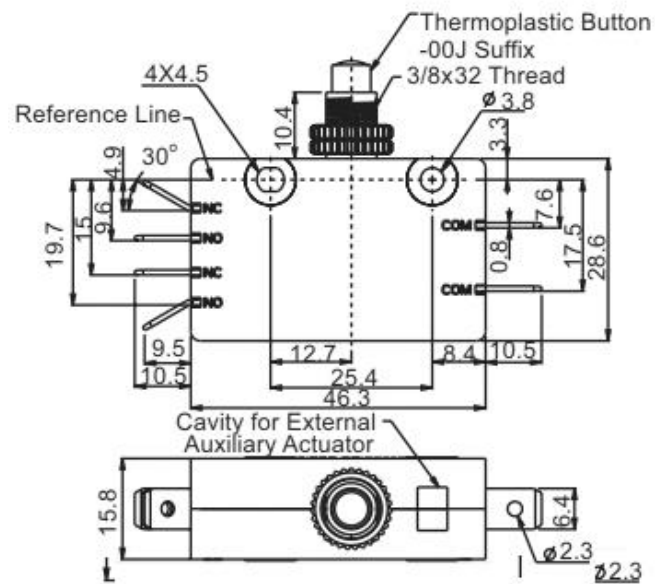
S-19H



CHARACTERISTICS	
Operating Force	205gf Max.
Pre Travel	6.99mm Max.
Over Travel	4.75mm Min.
Movement Differential	2.36mm Max.
Operating Position	7.92±1.57mm



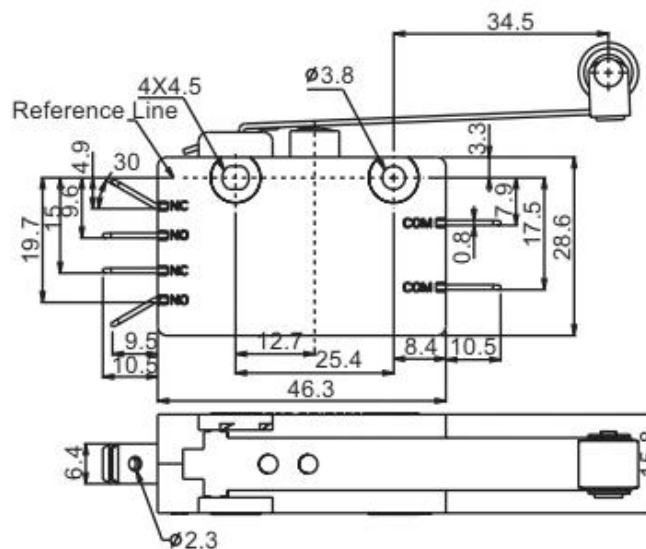
S-19J



CHARACTERISTICS	
Operating Force	850gf Max.
Pre Travel	1.27mm Max.
Over Travel	2.03mm Min.
Movement Differential	0.38mm Max.
Operating Position	17.02±0.76mm



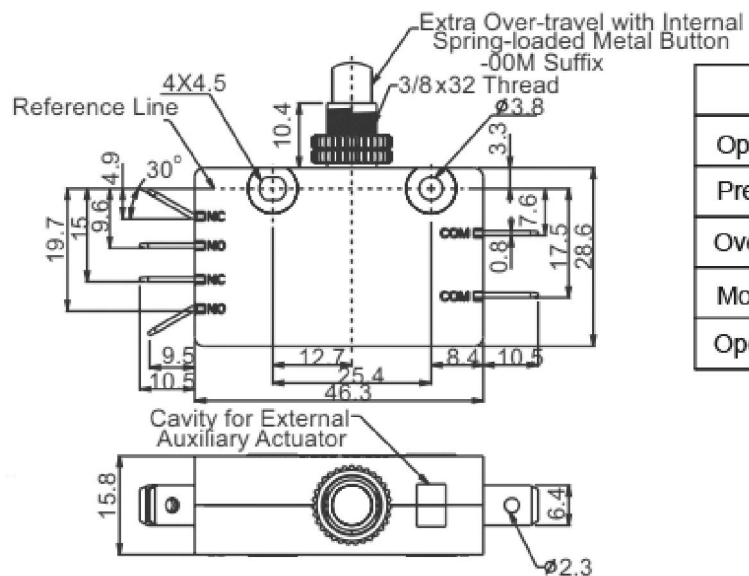
S-19K



CHARACTERISTICS	
Operating Force	212gf Max.
Pre Travel	6.35mm Max.
Over Travel	4.75mm Min.
Movement Differential	2.36mm Max.
Operating Position	18.24±0.76mm



S-19M



CHARACTERISTICS	
Operating Force	850gf Max.
Pre Travel	1.27mm Max.
Over Travel	5.54mm Min.
Movement Differential	0.38mm Max.
Operating Position	20.62±0.76mm

 BACK



5F., No.10, Lane 218, Sec. 2, Zhongxing Rd., Xindian Dist., New Taipei City 23146, R. O. C.
Tel: +886-2-29161263 Fax: +886-2-29117574 canal@c-components.com.tw

©2009 Canal Components Inc. All Rights Reserved