

E36

QUICK INSTALL

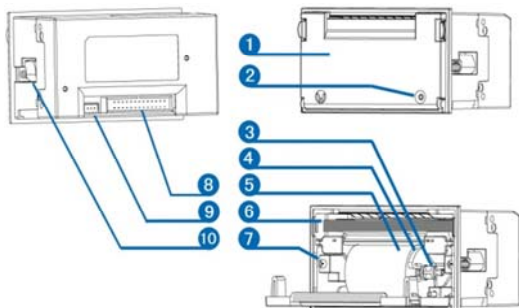
快速安装



北京炜煌科技发展有限公司
Beijing Bright Technology Development Co.,Ltd



● 打印机各部件一览 Printer Parts Names



- | | |
|---------------------------------------|-----------------------------|
| 1. 纸仓盖 Paper Case Cover | 6. 色带 Ribbon |
| 2. 指示灯/LF 键 Indicator Light/LF Button | 7. 螺钉 Screw |
| 3. 纸轴 Paper Roller | 8. 通讯接口 Interface Connector |
| 4. 纸挡板 accessory | 9. 电源 Power Connector |
| 5. 纸卷 Paper Roll | 10. 固定架 Holder |

按钮开关的操作及指示灯

打印机上电后指示灯保持常亮状态，打印机缺纸时指示灯闪，不能接受数据。正常上电后，LF 键为走纸键。

自检测方式

打印机断电，按 LF 键不放手同时给打印机上电，打印机就会打印出自检条。

Operation Specification

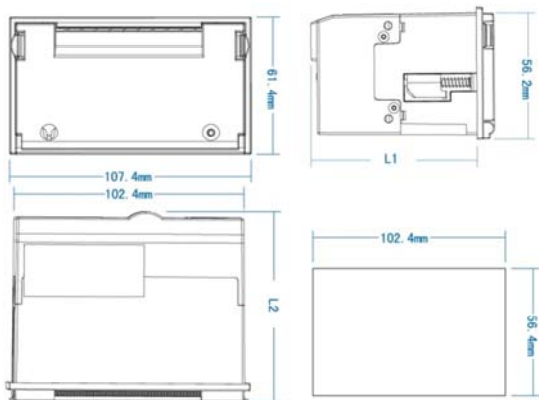
After turning on the printer, the indicator light will keep on. When the light flash, it shows that the paper is lacking, and the printer can not receive data.

Press the LF button, the printer will feed paper.

The Self Test

Press the LF button, do not release and turn on the printer at the same time, and then the printer will print out the self-check scrip.

● 尺寸 Size



WH-E36 型尺寸 Product Size:

外型尺寸 Outline Dimension:

| 机型 Model | 外形尺寸 |
|----------------|---------------------------|
| E36 串/并接口 | 107.4mm X 61.4mm X 71.8mm |
| E36 485/422 接口 | 107.4mm X 61.4mm X 84.5mm |

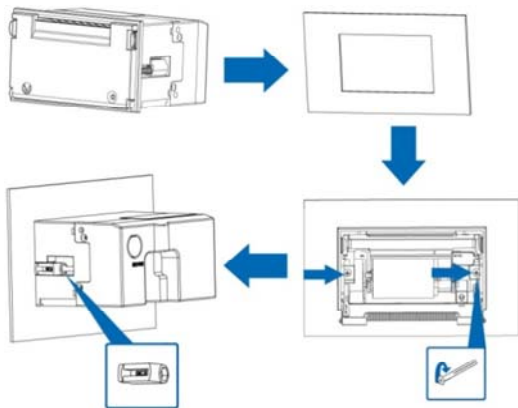
安装尺寸 Mounting Dimension:

| 机型 Model | L1 | L2 |
|----------------|--------|--------|
| E36 串/并接口 | 63.8mm | 71.8mm |
| E36 485/422 接口 | 76.7mm | 84.5mm |

嵌入深度 Inlaid Deepness:

| 机型 Model | 嵌入深度 |
|----------------|--------|
| E36 串/并接口 | 63.8mm |
| E36 485/422 接口 | 76.7mm |

● 安装 Installation



安装方法:

把打印机嵌入部分插入仪器或设备面板的安装孔内，再打开纸仓盖把螺钉拧紧，塑料卡子随着螺钉的拧紧顶在设备面板后面，左右对称各一套，安装方法相同。

所安装的面板厚度为 0.5~8mm 的金属板或塑料板；厚薄不会影响打印机安装的牢固性。

开口尺寸:

102.4mm+0.5 X 56.4mm+0.5

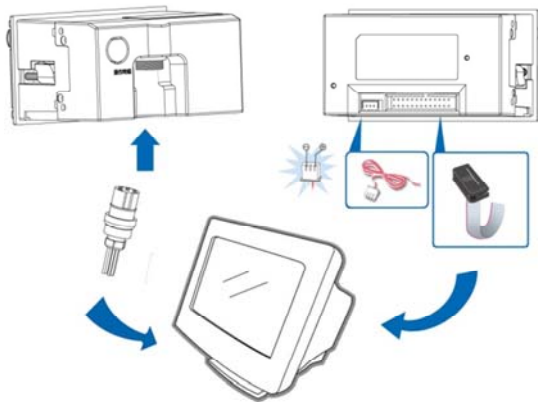
Installation Method:

Insert the built-in part of printer into the installing orifice of instrument or equipment. Then open the paper case cover, tighten the screws in the front of panel. For the faceplate that will be fixed could be metal plate or plastic plate with thickness from 0.5mm to 8mm. Neither too thick nor too thin would affect the fastness of the printers.

Installation dimension:

102.4mm+0.5 X 56.4mm+0.5

● 连接 Connection



通讯连接:

请严格参照产品背面标签所注参数进行连接。

电源连接:

请严格参照产品背面标签所注参数进行连接。

注意：不要将交流 220V 与打印机电源插座直接连接，工作电压应在额定电压 $\pm 5\%$ 以内，电源极性一定要接正确，否则会给打印机造成永久性损坏，炜焯公司对此不承担保修义务。

Communication Connection:

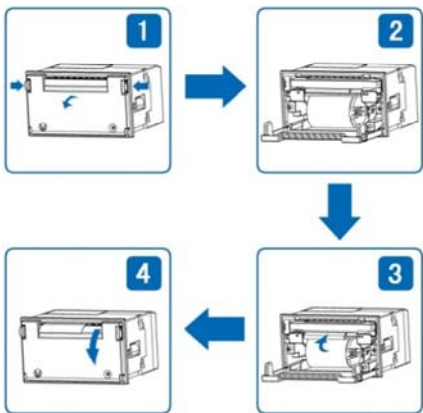
Please refer to the label of printer.

Power Connection:

Please refer to the label of printer.

Attention: Do not connect AC to the printer directly, operating voltage should be within $\pm 5\%$ rated voltage. Power polarity must be correct, otherwise it will cause permanent damage to printer, brightek company do not assume maintenance compulsory upon this.

● 装纸 Paper Roll



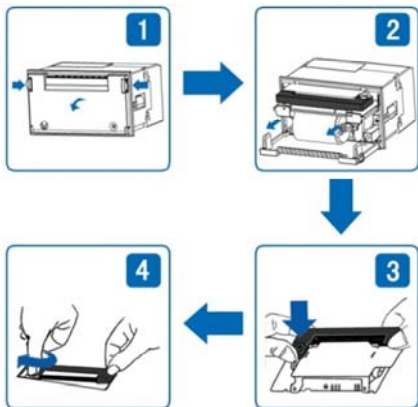
安装步骤:

1. 按图 1 所示, 用手指夹住打印机两侧的活动舌头, 并打开面板盖。
2. 将纸轴装入纸卷, 然后装入打印机纸仓内, 将纸轴两边固定在卡槽内(如图 2)。
3. 接通打印机的电源, 并将打印纸送到进纸口, 然后按 LF 键使机头转动直至纸走出来, 这时看一下纸是否走歪, 再按一下 LF 键或关上电源。
4. 合上纸仓盖即可。

Replacing the Paper Roll

1. As the Fig.1 show, champ the movable handles both side with fingers, and open the panel.
2. Put the new paper on the paper roller, and install the roller firmly on the printer.
3. Power the printer on, and put out a small amount of paper into the feeder. Then press LF button, make the print head to run, and the paper will come out, Turn off the printer.
4. Close the printer cover.

● 色带 Ribbon



色带更换:

1. 翻开纸仓盖，接着如图 2 箭头指示方向抽出打印机。
2. 从打印机头上轻轻取下旧色带盒。注意：请先抬起色带盒的左端，然后再抬起色带盒的右端，取下色带盒。
3. 换新的色带盒。首先将色带盒的右端轻轻放在机头右端的齿轮轴上，左端稍微抬起，不要放下。如色带盒右端未落到底，请按住色带盒上的旋钮，顺时针方向稍微转动一下，直到色带盒的右端落到底后再放下色带盒的左端。
4. 推回机体，并关上纸仓盖即可。

Printer Cleaning

1. Open the paper cover, and draw out the printer follow the arrow as shown in the Fig2.
2. Take down the old ribbon cassette, notice: lift up the left end of the ribbon cassette, then lift up the right end, and then take down the ribbon cassette.
3. Installing new one: put down gently the right end of ribbon cassette on the gear wheel in the print head, lift up the left a little, don't put down, if the right edge is not down to the bottom, rotate the knob of the ribbon cassette slightly in clockwise direction as shown in the image, until the ribbon cassette is down to the bottom, then put down the left.
4. Push the printer back into the original position and close the printer cover.