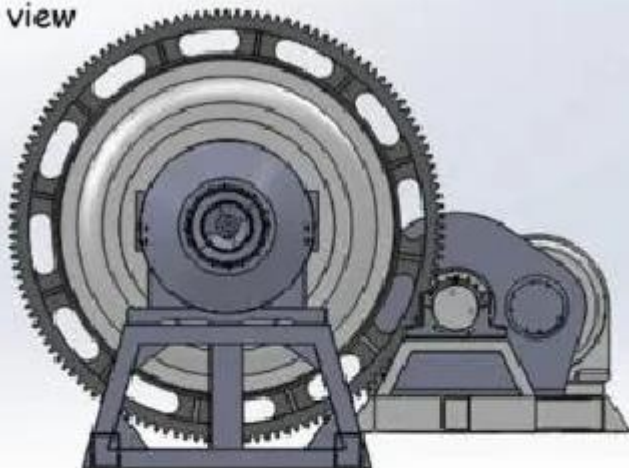
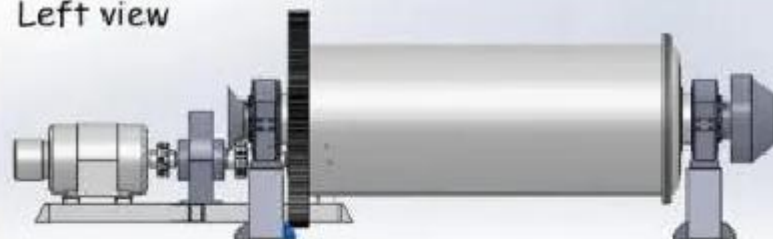


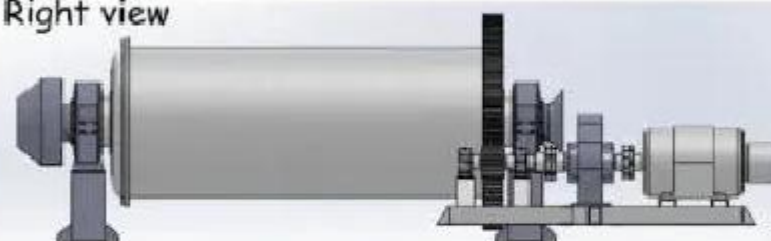
Front view



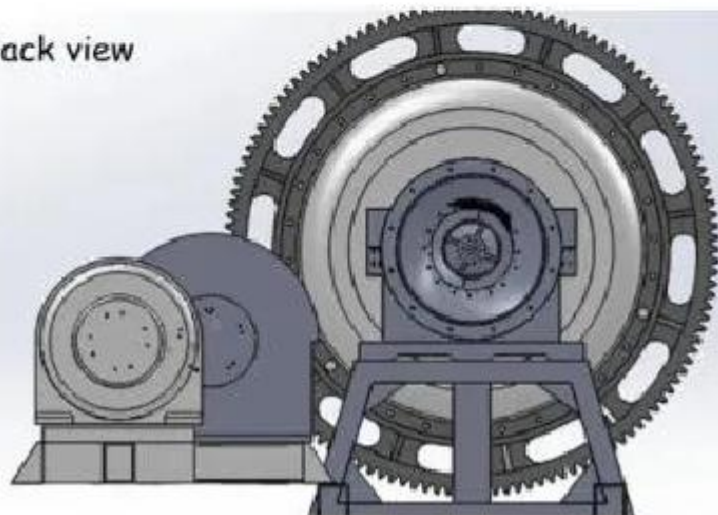
Left view



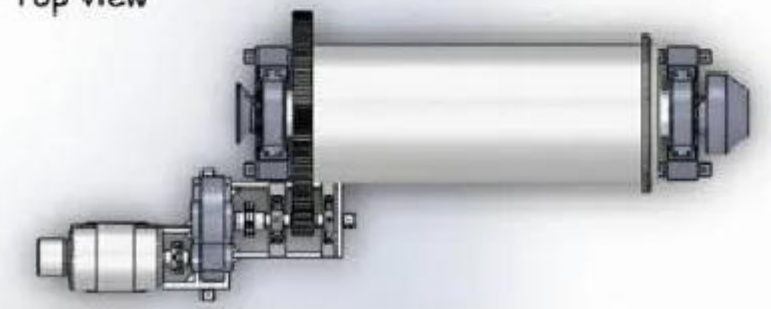
Right view



Back view



Top view





Henan Mingyuan Heavy Industrial Equipment Co., LTD

河南鸣远重工机械有限公司

Whatsapp/Cellphone: 008615093378359

Website: www.mingyuan-machinery.com also www.henanmac.com

Email: admin@mingyuan-machinery.com also heavyequipmentchina@gmail.com

Factory ADD: DAHUANGYE INDUSTRIAL ZONE, XINXING EAST RD, 451200, GONGYI CITY, HENAN PROVINCE, CHINA

Dry ball mill specifications

Drum Size	capacity(t/h)	rotation rate(rpm)	Ball Weigh(t)	kind of drive	Reduce	Power(Kw)
Φ1.5*5.7	33-6	27	11	margin	ZD40	130
Φ1.5*6.4	4-7	27	12	margin	ZD40	130
Φ1.83*7	8-13	23.9	21	margin	ZD60	245
Φ2.2*7	13-18	21.4	33	margin	ZD60	380
Φ2.2*7.5	14-19	21.4	35	margin	ZD60	380
Φ2.2*10	15-20	21.4	45	margin	ZD80	475
Φ2.4*8	18-27	20.4	41	margin	ZD80	475
Φ2.4*9	19-29	20.4	42	margin	ZD80	570
Φ2.4*10	20-32	20.4	52	margin	ZD80	630
Φ2.4*11	21-34	20.4	60	margin	ZD80	630
Φ2.4*13	23-36	20.4	65	margin	MBY710	800
Φ2.6*10	28-38	19.7	70	margin	MBY710	800
Φ2.6*13	30-40	19.7	78	margin	MBY800	1000
Φ2.8*13	32-42	19.7	78	margin	MBY800	1250
Φ3.0*9	32-42	18.14	83	margin	MBY710	1000
Φ3.0*11	35-48	18.14	100	margin	MBY800	1250
Φ3.0*13	36-50	18.14	102	margin	MBY900	1400
Φ3.2*4.5	30-50	18.7	45	margin	MBY710	800
Φ3.2*11	38-52	17.76	110	margin	JDX100	1600
Φ3.2*13	45-60	17.76	120	margin	JDX100	1600

Φ3.5*13	65-90	17.1	165	margin	MBY1100	2000
Φ3.6*4.5	90-136	17.8	58	margin	MBY800	1000
Φ3.6*9	20-45	16.9	70	margin	Synchronous motor:1600	
Φ3.8*13	70-100	16.8	180	margin	DBS280	2500
Φ4.2*13	130-150	15.9	231	margin	DBS280	3550













Wet ball mill specifications

Wet ball mills



Henan Mingyuan Heavy Industrial Equipment Co., LTD

河南鸣远重工机械有限公司

Whatsapp/Cellphone: 008615093378359

Website: www.mingyuan-machinery.com also www.henanmac.com

Email: admin@mingyuan-machinery.com also heavyequipmentchina@gmail.com

Factory ADD: DAHUANGYE INDUSTRIAL ZONE, XINXING EAST RD, 451200, GONGYI CITY, HENAN PROVINCE, CHINA

Model	barrel			Motor		boundary dimension			volume(m3)	ball(t)	weight(kg)
	diameter(mm)	length(mm)	speed(r/min)	Model	Power(kw)	length	width	height			
						(mm)	(mm)	(mm)			
MQG 0918	900	1800	39.2	Y225M-8	22	4196	2336	2015	0.9	1.92	5340
MQG 1212	1200	1200	31.3	Y250M-8	30	4500	2104	1733	1.1	2.4	11438
MQG 1224	1200	2400	31.3	Y280M-8	45	5764	2104	1733	2.4	4.6	13200
MQG 1515	1500	1500	30.9	JR115-8	60	6094	2743	2170	2.5	5	13120
MQG 1530	1500	3000	30.9	JR117-8	80	6800	2743	2170	5.08	8.6	19166
MQG 1545	1500	4500	30.9	JR127-8	130	9085	3091	2170	6.57	11.3	22147
MQG 2122	2100	2200	24.05	JR128-8	155	7750	4450	3533	6.6	16	42500
MQG 2130	2100	3000	24.05	JR137-8	210	8330	4450	3533	9	20	44260
MQG 2145	2100	4500	24.05	JR138-8	245	9933	4450	3533	13	23.5	50348
MQG 2430	2400	3000	22.5	JR138-8A	280	8823	5113	3894	12.1	22.5	58328
MQG 2436	2400	3600	22.5	JR138-8B	320	9455	5113	3894	14.5	26	61308
MQG 2727	2700	2700	21.6	JR138-8B	320	8643	5722	4674	15.3	30	83145
MQG 2736	2700	3600	21.6	JR1510-8	400	10463	5942	4674	18.4	36	89120
MQG 2745	2700	4500	21.6	TDMK500-32	500	11471	5907	4674	23	45	109318
MQG 3236	3200	3600	18.5	TDMK630-36	630	12442	7030	5150	25.6	51	144241
MQG 3245	3200	4500	18.5	TDMK800-36	800	13975	7030	5150	32.8	65	153390
MQG 3639	3600	3900	17.3	TDMK1000-40	1000	15000	7200	6300	36.2	75	168800
MQG 3645	3600	4500	17.3	TDMK1250-40	1250	15200	7750	6300	41.8	90	179900
MQG 3650	3600	5000	17.3	TDMK1400-40	1400	17600	7750	6300	46.4	96	183000
MQG 3660	3600	6000	17.3	TDMK1600-40	1600	17000	8800	6500	55.7	120	204000
MQG 4060	4000	6000	16.2	TDMK1700-30	1700	17400	9500	7600	69.8	137	214000
MQG 4560	4500	6000	15.3	TDMK2300-30	2300	17800	10500	7600	87	158	294000



Certifications



Contact us via:

Whatsapp/Cellphone: +8615093378359

Email: heavyequipmentchina@gmail.com also admin@mingyuan-machinery.com

Website: www.mingyuan-machinery.com