

# SongLian 200X200X60

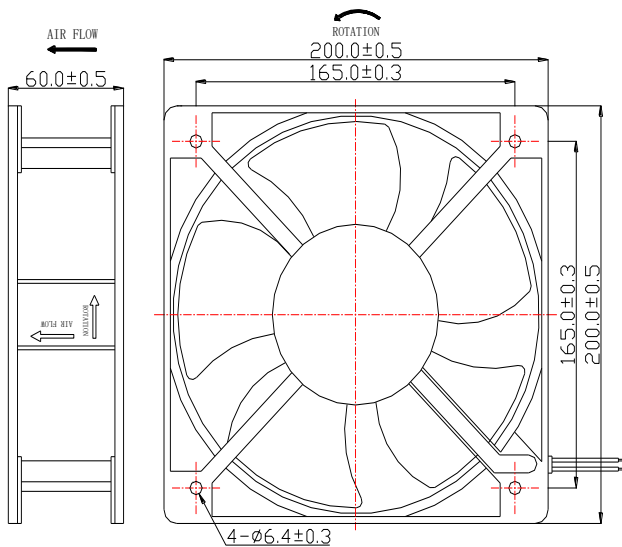
DC Axial-Flow Fan Motor



## ● General Specifications (一般规格)

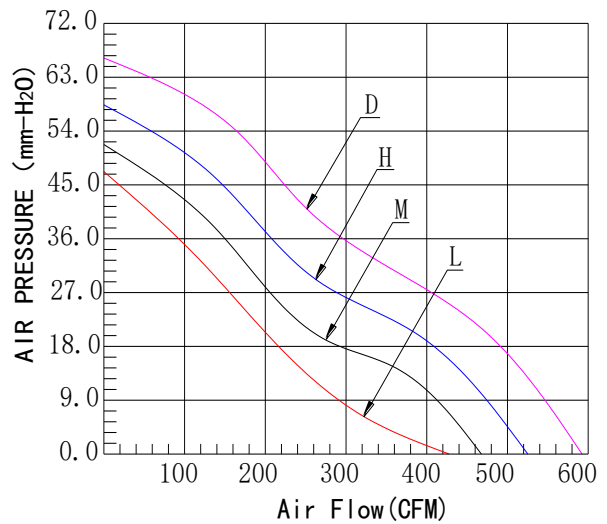
- Material:
  - Impeller: PBT UL 94V-0 Reinforced Plastic
  - Frame: Aluminium Alloy
- Lead Wires: UL Type
  - RED Wire Positive (+)
  - Black Wire Negative (-)
- Insulation Resistance: 10MΩ Or Over With DC250V Megger
- Dielectric Withstand Voltage: AC500V 1S
- Allowable Ambient Temperature Range:
  - 10°C ~ +70°C (Operating)
  - 40°C ~ +70°C (Storage)

## ● Dimensions Drawing (外观图)



Unit: mm

## ● Characteristic Curves (特性曲线)



## ● Specifications (规格)

(型号) Model	(轴承类型) Bearing Type	(电压) Rated Voltage VDC	(电压范围) Operation VDC	(电流) Current A	(转数) Speed RPM	(风量) Air CFM	(风压) Static Pressure mmH <sub>2</sub> O	(噪音) Noise Level dBA	(重量) Weight g
SDD20060 B	Ball	24	21.6~26.4	2.00	2800	595.00	65.00	74.4	1520
SDH20060 B				1.50	2500	631.00	58.20	67.0	
SDM20060 B				1.00	2200	467.00	51.50	55.8	
SDL20060 B				0.70	2000	425.00	46.40	46.5	
SDD20060 B				1.10	2800	595.00	65.00	74.4	
SDH20060 B				0.80	2500	631.00	58.20	67.0	

SDM20060 B		48	43.2152.0	0.60	2200	467.00	51.50	55.8
SDL20060 B				0.40	2000	425.00	46.40	46.5