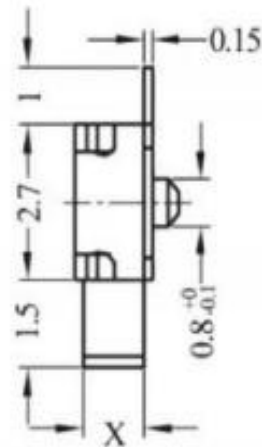
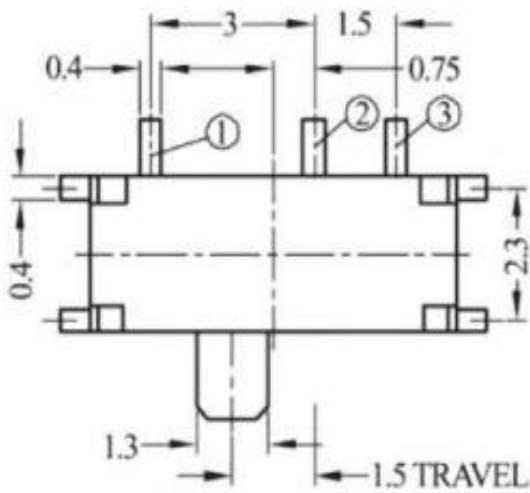
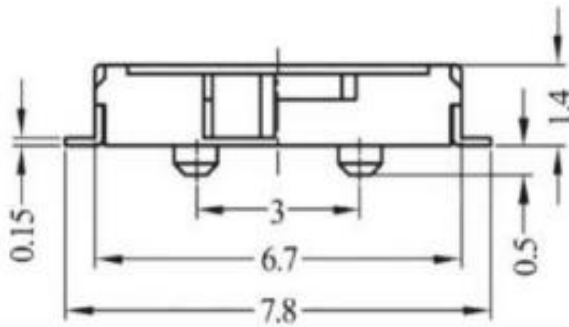
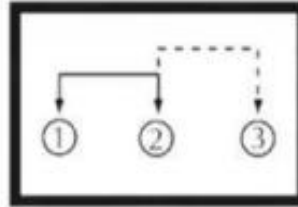


MK-12C02



CIRCUIT DIAGRAM



RATING:DC 6V 0.3A