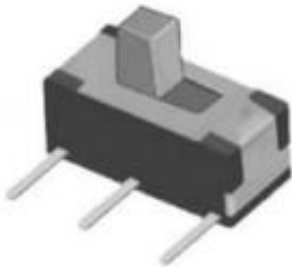
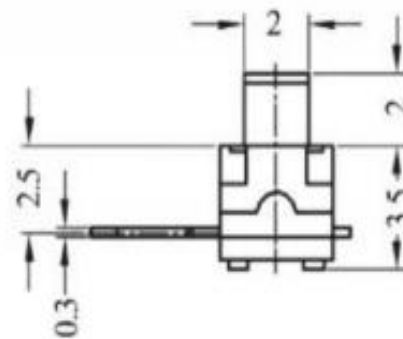
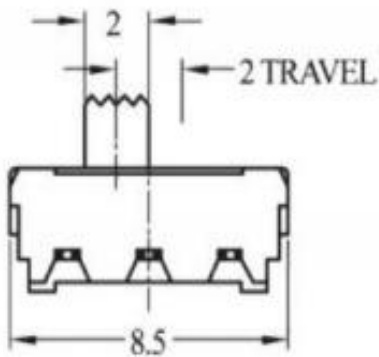
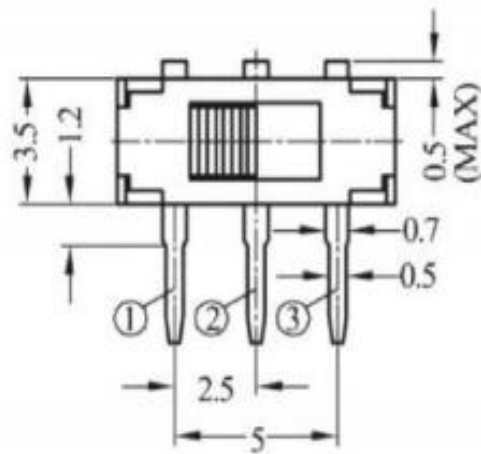
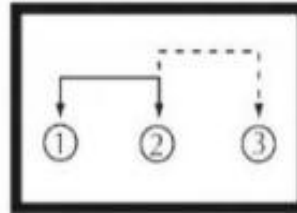


MK-12D13



CIRCUIT DIAGRAM



RATING:DC 30V 0.3A