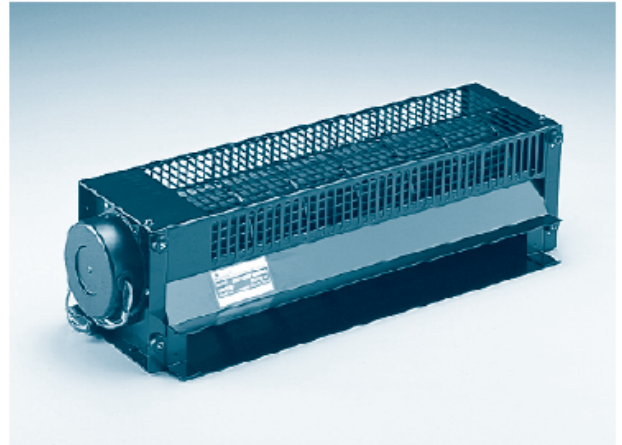
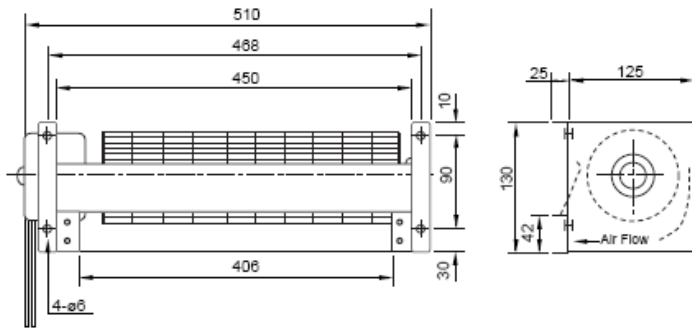


## MODEL: ECA9439C SERIES



Size : 510x 150 x 130  
Unit : mm



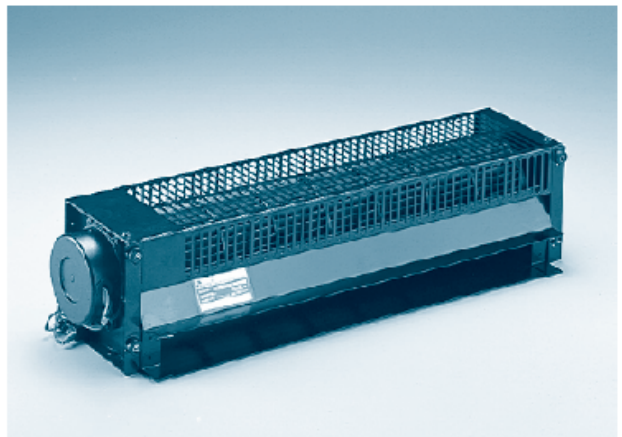
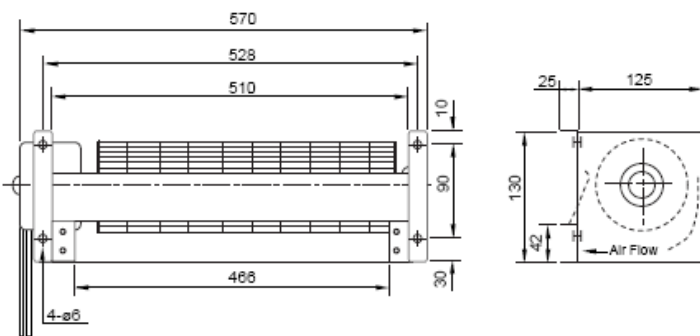
Model Spec	Rated Voltage V	Frequency Hz	Input Power W	Rated Current A	Locked Current A	Speed RPM	Maximum Air Flow m <sup>3</sup> / min	Maximum Air Flow CFM	Maximum Pressure mmH <sub>2</sub> O	Maximum Pressure InchH <sub>2</sub> O	Noise dB	Weight KG
ECA9439C-12HBL	120 V	50	43	0.40	0.60	1,400	7.5	265	3.5	0.14	48	0.35
		60	50	0.40	0.60	1,600	9.0	318	4.5	0.18	53	
ECA9439C-23HBL	230V	50	43	0.20	0.31	1,400	7.5	265	3.5	0.14	48	0.35
		60	50	0.22	0.31	1,600	9.0	318	4.5	0.18	53	

We reserve the right to change data without notice.

## MODEL: ECA9446C SERIES



Size : 570 x 150 x 130  
Unit : mm



Model Spec	Rated Voltage V	Frequency Hz	Input Power W	Rated Current A	Locked Current A	Speed RPM	Maximum Air Flow m <sup>3</sup> / min	Maximum Air Flow CFM	Maximum Pressure mmH <sub>2</sub> O	Maximum Pressure InchH <sub>2</sub> O	Noise dB	Weight KG
ECA9446C-12HBL	120 V	50	43	0.40	0.63	1,350	8.5	300	3.5	0.14	48	3.60
		60	50	0.42	0.63	1,550	10.0	354	5.0	0.20	53	
ECA9446C-23HBL	230V	50	43	0.20	0.31	1,350	8.5	300	3.5	0.14	48	3.60
		60	50	0.23	0.31	1,550	10.0	354	5.0	0.20	53	

We reserve the right to change data without notice.