



Category

SWITCH

- ANTI-VANDAL SW
- ROCKER SW
- PUSH SW
- TOGGLE SW
- MICRO/DETECTOR SW
- SLIDE SW
- ROTARY SW
- DIP SW
- TACT SW
- KEYLOCK SW
- CAPACITANCE SW
- SAFETY & CONTROL SW
- VEHICLE SW
- THERMOSTAT SW
- BATTERY SW
- TRIGGER SW

SOCKET

INDICATOR

SENSOR

ELECTRO-MODULE

BREAKER

FUSE HOLDER

FUSE

ENCODER

POTENTIOMETER

CONNECTOR

WIRE HARNESS

NEW PRODUCT

Products Search



OUR PRODUCT

Home > Our Product > MAH Series > MAH Series

SWITCH / VEHICLE SW

MAH Series
Car seat adjustment switches with 2-way or 4-way electric seat adjustment function

With joystick actuator to control car seat adjustment
Optional combination of multi-direction adjustment function
Long life and high reliability

[PDF Download](#) [Get Information](#)

[Print this page](#)



ZOOM IN

Feature

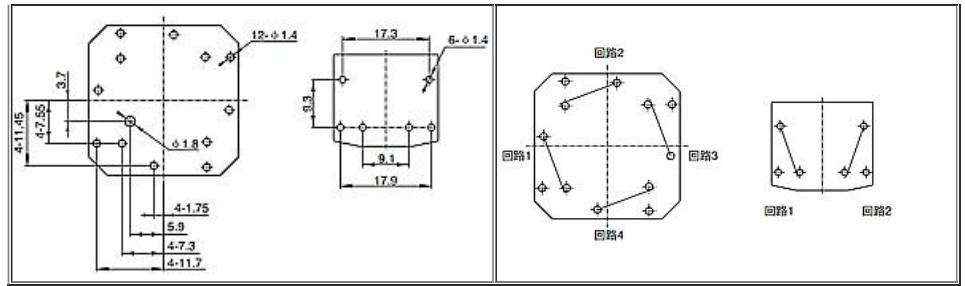
- Rating: 12A 12VDC, 15A 14VDC
- Initial contact resistance: 50mΩ Max.
- Insulation Resistance: 100MΩ Min.
- Dielectric strength: 500VAC between terminals
- Operating temperature: -40 to +85°C
- Electrical life: 30,000 cycles
- Application: Car seat

Specification

How to order

MAH	4	1	03	P
DIRECTION	RATING	SHIFTER LEVER TYPE	ACCESSORY TYPE	
2 2-WAY	1 12A 12VDC	01	P	
4 4-WAY	2 15A 14VDC	02	N	
		03		

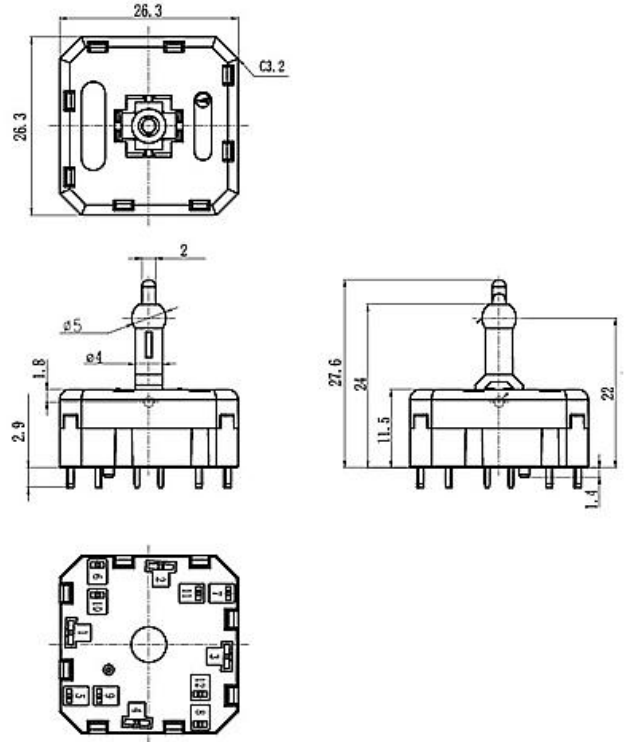
Mounting Hole	Circuit Diagram



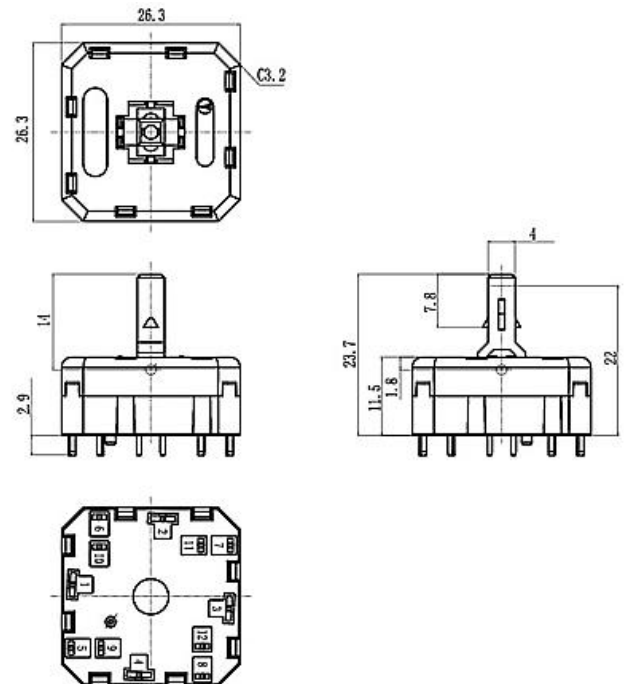
Item



MAH-4201P-01

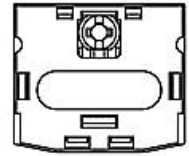
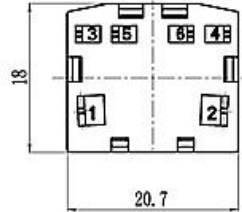
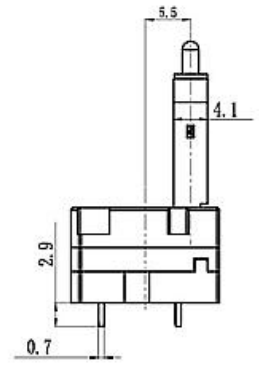
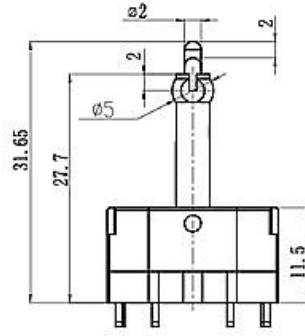


MAH-4203N-03





MAH-2202P-02



[← BACK](#)



5F., No.10, Lane 218, Sec. 2, Zhongxing Rd., Xindian Dist., New Taipei City 23146, R. O. C.

Tel: +886-2-29161263 Fax: +886-2-29117574 canal@c-components.com.tw

©2009 Canal Components Inc. All Rights Reserved