



Sunhans

Product specification

SHFi4GC071

LTE-Cat4 Indoor CPE

Version 1.0

Date: 2019/08/30



▪1. Revision

Date	Version	Editor	Note
2019/8/26	1.0	Kent Yang	First release

▪2. Hardware specification

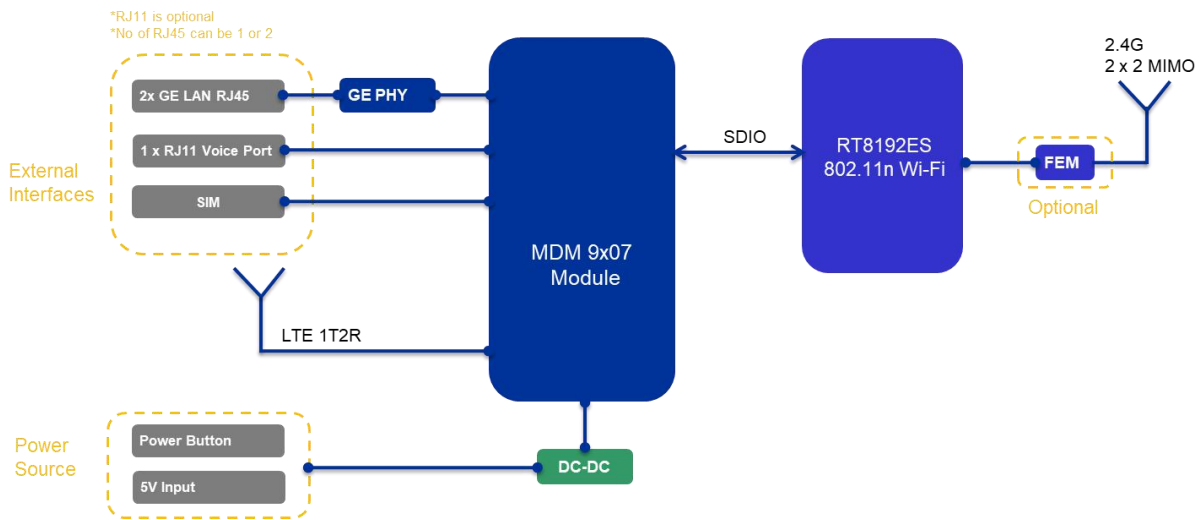
▪2.1. Interface

Power Source	DC 12V/1A
Functional button	Press and start enabling WPS feature (Can be defined as a Sleep&Wake button)
Power Button	Press and hold > 3 seconds power On/Off
LAN port	1x GE 10/100/1000Mbps WAN/LAN RJ45 Ports
Voice Port	1 x Voice RJ11 Port (Optional)
LED display	- Signal strength indicator



	<ul style="list-style-type: none"> - Wi-Fi Status indicator - LAN status indicator - MODE LED to indicate 4G/3G
Card slot	One 3FF (Micro) UICC/USIM card slot
Reset button	One reset button

2.2. Block Diagram



2.3. RF functions



Cellular		Qualcomm MDM9207
		Standard compliant: 3GPP Release 10 Cat4 DC-HSDPA / HSPA+ compliant
		Supported frequency: LTE FDD/TDD: B1, B3, B7, B8, B20,B40 UMTS: B1, B8
	LTE/	
	WCDMA/	MIMO:DL 2x2, UL 1x1
	GSM/	Antenna:2 external antennas
	GPRS/EG PRS	Peak data rate: LTE-FDD: DL 150 Mbps / UL 50 Mbps LTE-TDD: DL 130 Mbps / UL 30 Mbps HSPA+: DL 42Mbps / UL 5.76Mbps HSPA: DL 14.4Mbps / UL 5.76Mbps HSPA DC: DL 42Mbps / UL 21Mbps WCDMA CS: DL 64kbps / UL 64kbps WCDMA PS: DL 384kbps / UL 384kbps



		<p>EDGE: DL 384kbps / UL 384kbps</p> <p>GPRS: DL 171.2kbps / UL 171.2kbps</p> <p>GSM: DL 9.6kbps / UL 9.6kbps</p>
		<p>Output power class: 22 +/-1 dBm (class 3)</p>
<p>Wi-Fi</p>		<p>RTL8192ES</p> <p>Standard compliant: IEEE 802.11 b/g/n</p> <p>2.4 GHz (2x2 MIMO)</p> <p>300Mbps link rate (theoretical data rate of 802.11n)</p> <p>On Testing Max rate is 130Mbps</p> <p>TX mode: (to be continue)</p> <p>2.4G: 802.11b: 15 +/- 1dBm</p> <p style="padding-left: 40px;">802.11g: 13 +/-1dBm</p> <p style="padding-left: 40px;">802.11n HT20: 12 +/- 1dBm</p> <p style="padding-left: 40px;">802.11n HT40: 12 +/- 1dBm</p> <p>RX mode: (to be continue)</p> <p>802.11b: -76 dBm</p>



	802.11g: -68 dBm (54 Mbit/s)
	802.11n HT20 MCS7: ≤ -66 dBm
	802.11n HT40 MCS7: ≤ -63 dBm

2.4. Environment

Temperature	Operating: 0°C to 40°C
	Storage: -20°C to 60°C
Humidity	Operating Humidity: 5 to 95% RH
	Storage Humidity: 5 to 95% RH
	Non-condensing

2.5. Physical specification

Packaging Items	Casing Dimension (WxDxH): 121*18.5*116mm
	Weight: ~500g
Packaging Accessories	- DC 12V/1A Power adaptor

3. Software specification

3.1. Features



System Features	Web UI/Multiple language supported
	SMS/Quota/APN/PIN Management
	Network Selection
	Data Usage / Statistic
	DHCP Server
	NAT
	IP Firewall
	Proxy DNS
	Parental control - Parental controls designed to allow control of Internet access on all devices connected to your home network.
	Self-Check - Self-examination when it can't connect to the network
Port Settings - Port forwarding, including single port, multiple ports or a range of ports	
Security - SIM Lock and Secure boot features.	



	Firewall - DMZ/MAC Filter/IP Filter/URL Filter/Port Filter Port Settings
Wi-Fi AP Features	802.11 b/g/n 2.4GHz
	Auto Channel Select (ACS)
	Wi-Fi Enabled Device #: up to 32 (8 Users simultaneously)
	Hidden SSID
	Security Modes : WPA/WPA2 PSK, & WPA/WPA2 mixed mode
	AP Power Save
	Access Control : STA blacklist/white list
	WPS : Pin and PBC, WPS2.0

▪4. Mechanical & ID designs

▪4.1.Dimension

Casing Dimension (WxDxH): 121*18.5*116mm



4.2. ID designs



5. Package

5.1. Accessories

Adapter	12V/1A adapter
	EU: EU/UK/US plug (M type)
	White color
QSG	Quick start guide
Safety warning	Safety warning
Warranty card	Warranty card
DoC	Declaration of Conformity



▪5.2. Packing

Box	Box label
	Inner paper
	Inner box
	Color box
Carton	Carton label (carton label + battery warning label)
	Carton
Pallet	Pallet label
	Pallet