

POWER FERRITE TRANSFORMERS

EE8.3 EE10 EE13 EE16 EE19 EE22 EE25
EE30 EE35 EE40 EE50 EE55 EE70

Introduction:

1.The series products contains:

2.The figure shown for reference only; Better at providing ODM/OEM to customers.

Make the technical parameters more size up the user's product design requirements.

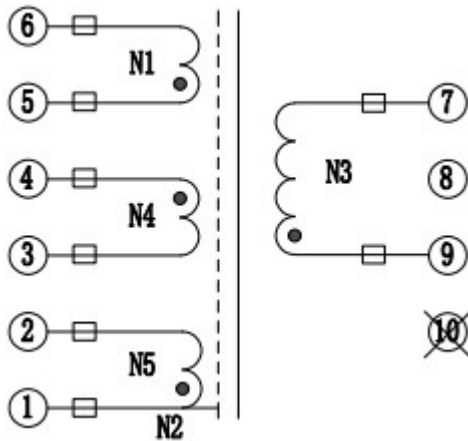
FEATURES

Possessing of high permeability
High saturation flux density
Low loss, at 100°C the power loss goes bottom

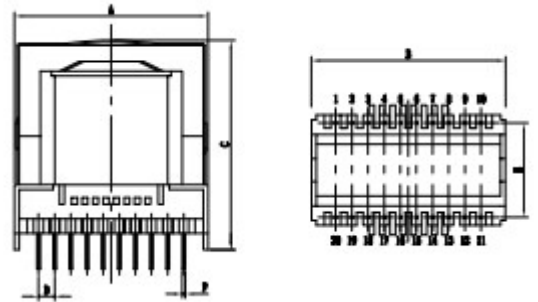
COMMON APPLICATIONS

Drive transformers
Main transformers
Smoothing chokes
General purpose use

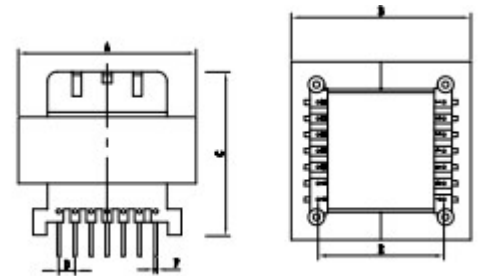
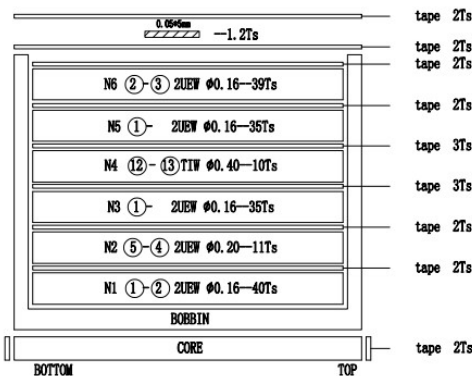
Electronical Schematic



PHYSICAL CHARACTERISTICS



Structural Drawing



General Properties

Operating Temperature:-40°C to +105°C.
Including temp rise
Storage Temperature:-25°C to +85°C.
Insulation Class:B.