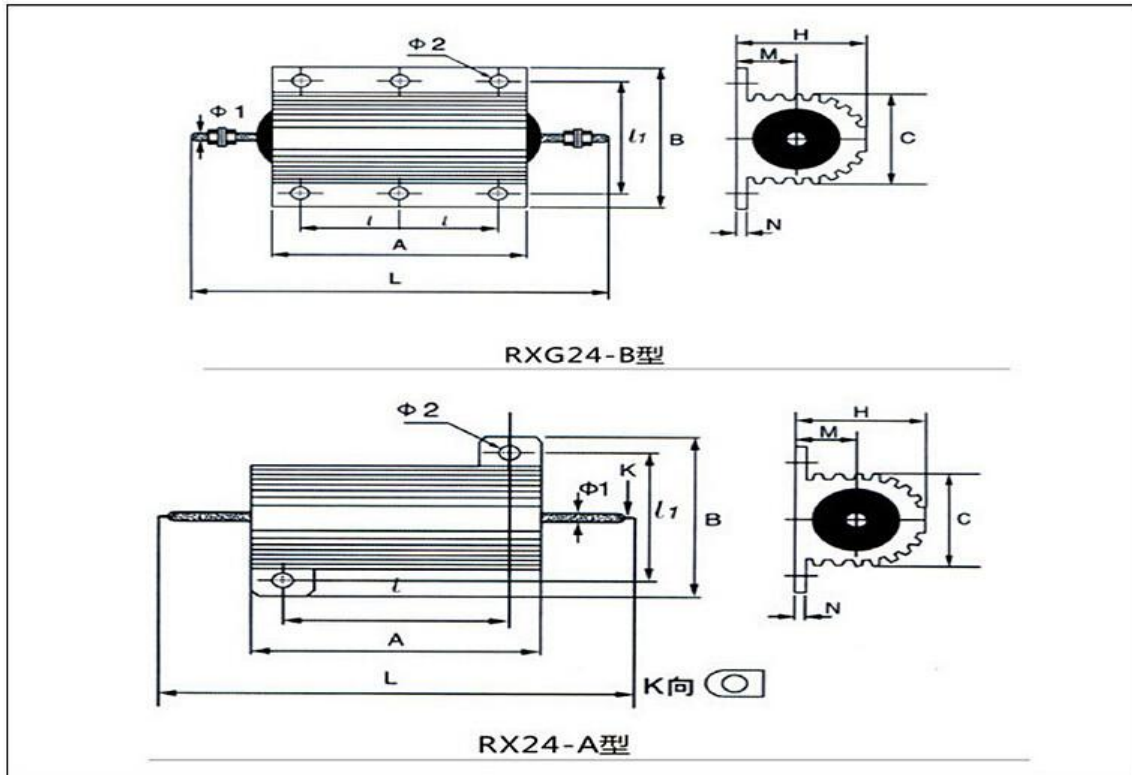


♥RX24 Gold Aluminum Housed High Power Wirewound Resistor

1. RX24 Picture Detail:

2.RX24 drawings and size:





Type	Rated power at 25°C(W)with heatsink@25°C	Dimensions (mm)											Surface area (cm ²)	Thickness (mm)	Weight(g)
		A max	B	L max	H max	C	l	l1	M	N	φ1	φ2			
RX24	5	15.5	16	36.5	8	8.5	11.4	12	4.4	1.5	1.5	2.2	415	1	3
	10	19.5	21	40.5	10	11.2	14	16	5	2	2	2.5	415		6
	20	27	27	48	13	14.3	18.3	20	7	2	2	3.5	535		11
	30	34	29	55	15.5	16.3	25	22	7.3	2	2	3.5	535		18
	50	50	29	71	15.5	16.3	40	20.5	7.3	2	2	3.5	995	30	
	75	65.5	48	86.5	26	27	23.5	37	11.5	3.5	3	4.4	995	90	
	100	98	48	119	26	27	35	37	11.5	3.5	3	4.4	995	160	
	150	130	48	151	26	27	52	37	11.5	3.5	3	4.4	995	240	
RXG24	75	65.5	48	93.5	26	27	23.5	37	11.5	3.5	M3	4.4	995	3	90
	100	98	48	126	26	27	35	37	11.5	3.5	M3	4.4	995		160
	150	130	48	158	26	27	52	37	11.5	3.5	M3	4.4	995		240
	200	92	73	132	45	46.5	35	58	21	5	M6	5.5	3750		420
	250	112	73	152	45	46.5	45	58	21	5	M6	5.5	4765		480
	300	130	73	170	45	46.5	51	58	21	5	M6	5.5	5780		580
	500	204	73	244	45	46.5	87	58	21	5	M6	5.5	8500		970

3.RX24 Main Characteristics:

Type	Rated power at 25°C (W)		Range (Ω)	Tolerance (%)	T.C.R. (×10-6/°C)	Voltage (V)
	With heatsink	Without heatsink				
RX24	5	3	0.01~1K	± 1,±5	± 100,±50	1000
	10	8	0.01~1.5K			
	20	12.5	0.01~10K			
	30	15	0.01~27K			
	50	20	0.01~33K			
RXG24	75	45	0.01~39K			
	100	50	0.01~51K			
	150	55	0.01~56K			
	200	50	0.01~62K			
	250	60	0.01~68K			
	300	75	0.01~75K			
	500	200	0.01~82K			
						2000

4.Samples:

- 1. Sample:** Could provide sample.
- 2. Samples time:** Need 1-7 days to preparing the samples after receiving the payment.
- 3. Samples payment term:** T/T, PAYPAL, Western union.

5. Some of our main products:



sc-qixing.en.alibaba.com

			
碳膜电位器WTH118	线绕电位器WX110(WX010)	线绕电位器WX111(030)	线绕电位器WX112(050)
			
精密多圈线绕电位器WXD3-13-2W	精密多圈线绕电位器WXD2-53	精密线绕多圈电位器WXD4-23-3W	多圈线绕电位器WXD7-33-5W
			
线绕电位器RV24YN	碳膜电位器RV30YN	线绕电位器3590S	碳膜电位器WTH118 双联

6. Company Information:

Sichuan Qixing Electronics Co., Ltd is a specialized enterprise engaging in trimming potentiometers, wire-wound potentiometer series, wire-wound resistor series, and RIG High power resistors. It is a high-tech enterprise appraised by state. Our products under the "BONENS" brand that have been widely applied in the fields of instruments, meters and apparatuses, post and telecommunications, electricity power, railway signals, aviation and aerospace. We have attained ISO9001 certificate, and passed the TUV and RoHS

Our factory:

1. Independent building



2. Assembling area



3. Sealing area



4. Packaging area



5. stock Warehouse

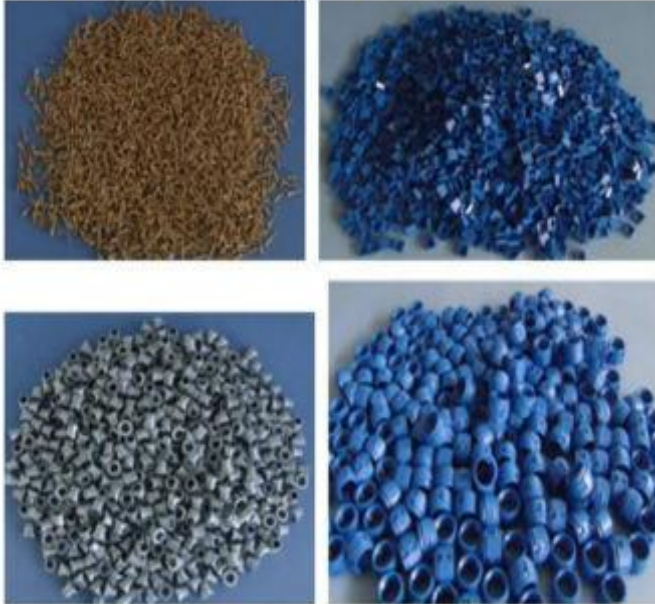


6. Material warehouse



Production lines:

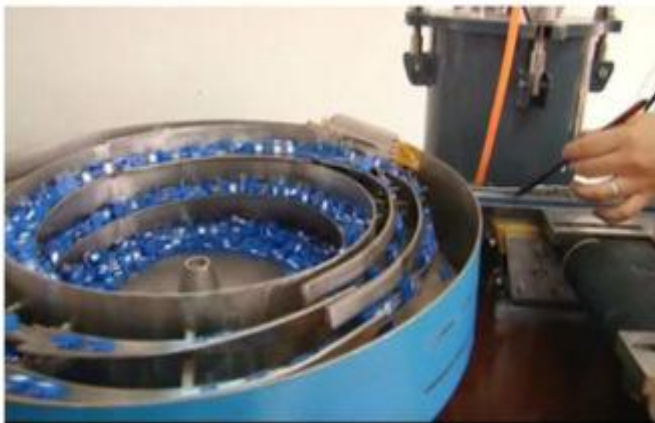
Step 1: Materials QC



Step 2: Assembling



Step 3: Sealing & leads cutting



Step 4: Quality checking



Assets & machines:

1. Auto-sealing machines



2. Wire-winding machines



3. Solder machines



4. Potentiometer quality testing machines



Branding machines:





Certification & Photos -- Tax Registration Certificate



Certification & Photos -- Organization Code Certificate



Certification & Photos -- Permit for Opening Bank Account



Certification & Photos -- ISO 9001:2008



7.For more info., please contact me:

Skype ID :Gina.zhou12

QQ ID : 512351005

Mobile number/Whatsapp :+86-18010662198